

SCHONBEK®

CHANDELIER 2790-____ TRIM DIAGRAM (Finish Option)



THIS DESIGN IS THE PROPRIETARY
TRADE DRESS/TRADE MARK OF
SCHONBEK WORLDWIDE LIGHTING INC.

12 + 1 Lights
Diameter: 33"
Body Length: 26"
Hanging Weight: 34 lbs.

SCHONBEK®

**Follow steps in exact order
Save this trim diagram for future reference**

1

IMPORTANT
*Please record the following
information for future service.*

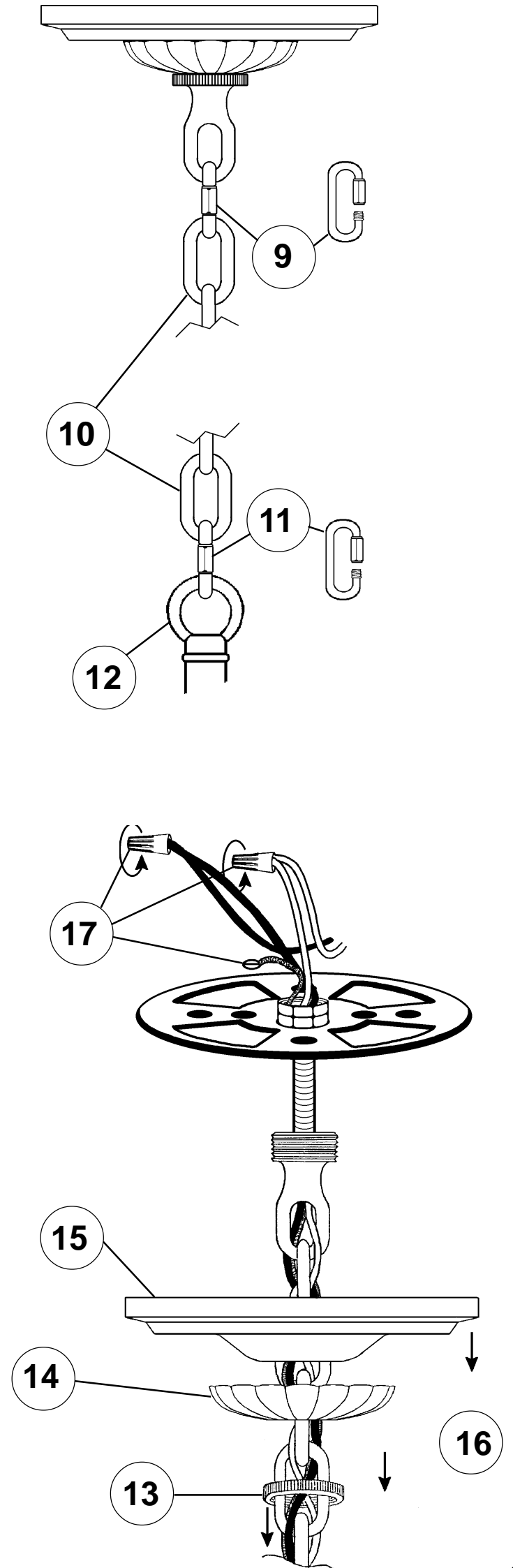
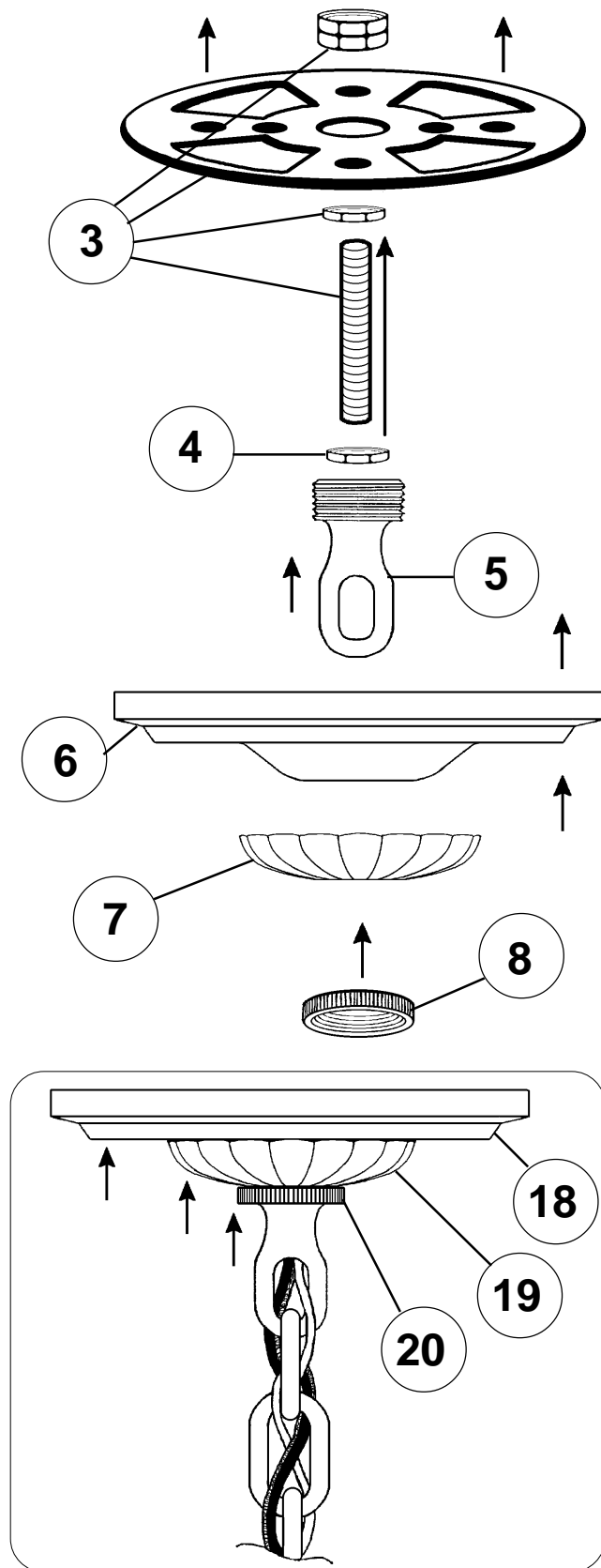
CODE # _____ Four-digit number on outside of carton.
PACKER # _____ See crystal package label.
ORDER # _____ See crystal package label.

Instructions for electrician
STEPS 2 - 20

2 **WARNING:**

Electrical Danger **Turn Power Off**

All electrical components must be installed by a licensed electrician in accordance with the National Electric Code and the appropriate local electrical codes.



SET #1

N5020 3" 76mm	N5028 3-1/2" 89mm	N5030 3-1/2" 89mm	N5002 4" 102mm	N5012 4" 102mm	N5026 4" 102mm	N5021 5" 127mm
----------------------------	--------------------------------	--------------------------------	-----------------------------	-----------------------------	-----------------------------	-----------------------------

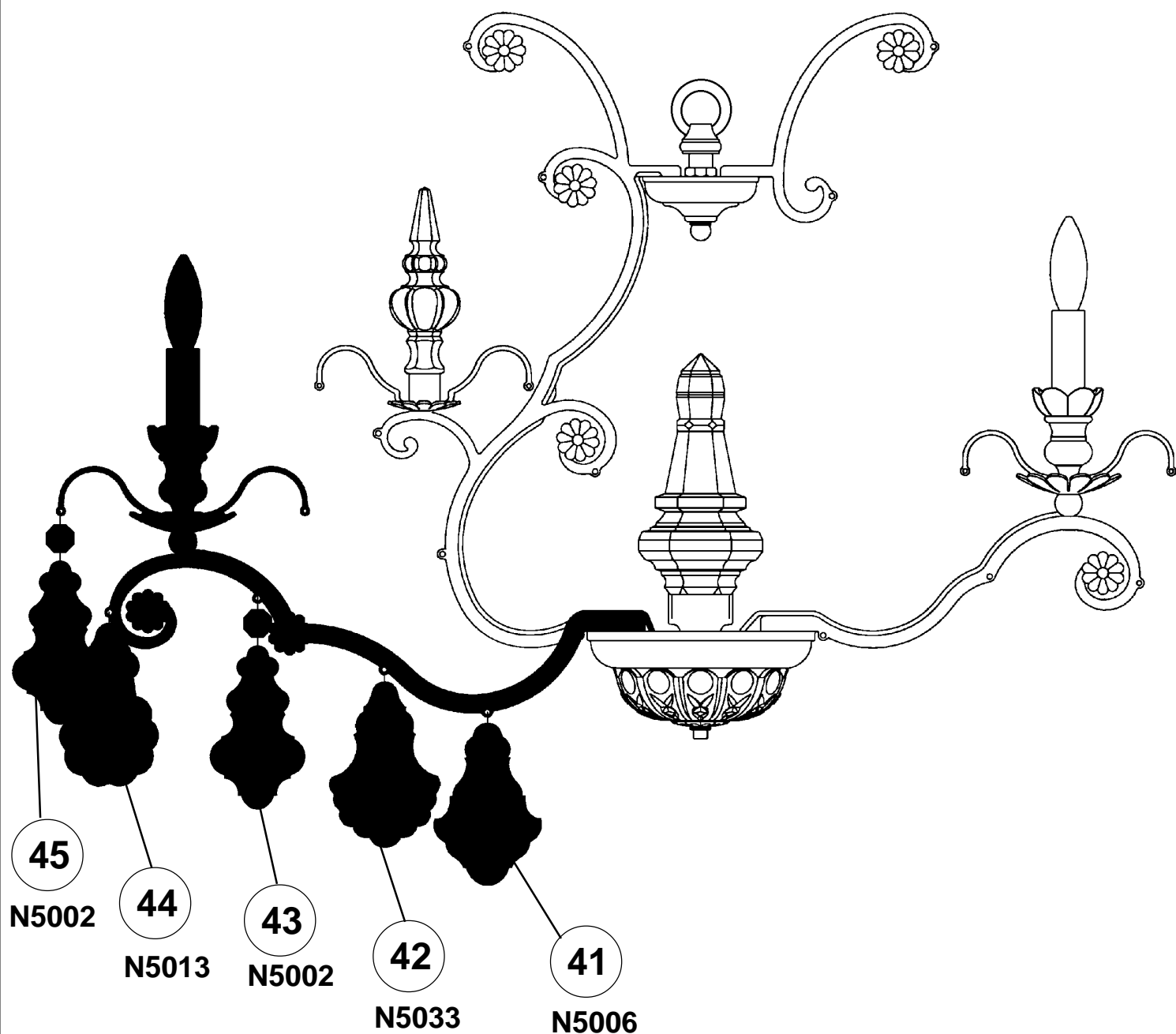
SET #2

N5030 3-1/2" 89mm	N5009 4" 102mm	N5012 4" 102mm	N10519 3-1/2" 89mm	N5023 4" 102mm	N5011 5" 127mm
--------------------------------	-----------------------------	-----------------------------	---------------------------------	-----------------------------	-----------------------------

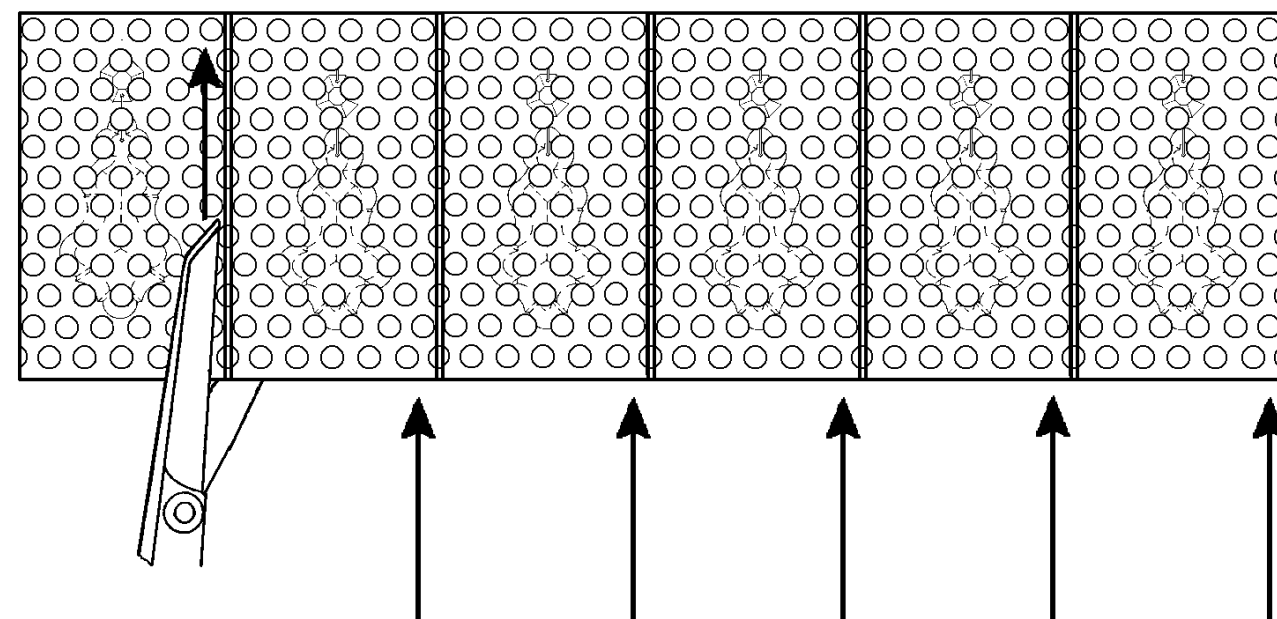
SET #3

N5006 4" 102mm	N5013 4" 102mm	N5033 4" 102mm	N5002 4" 102mm
-----------------------------	-----------------------------	-----------------------------	-----------------------------

Crystal Set #3 in Black



For easy removal of crystal from bubble pack, please cut along pouches on the inside of the seam. Gently remove crystal from the side of the pouch.



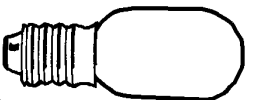
NOTE: Work on one crystal set at a time. Follow the black line from top to bottom according to the numbered steps on the trim diagram.

Instructions for crystal trimming
STEPS 21 - 45


Crystal Set #2 in Black

Crystal Set #1 in Black

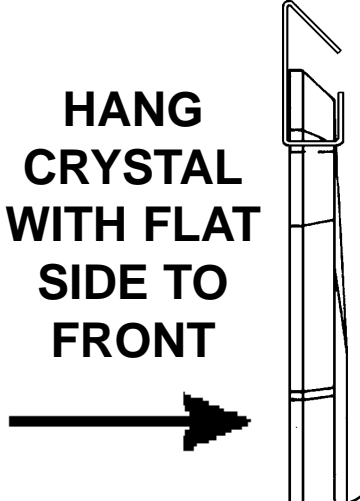
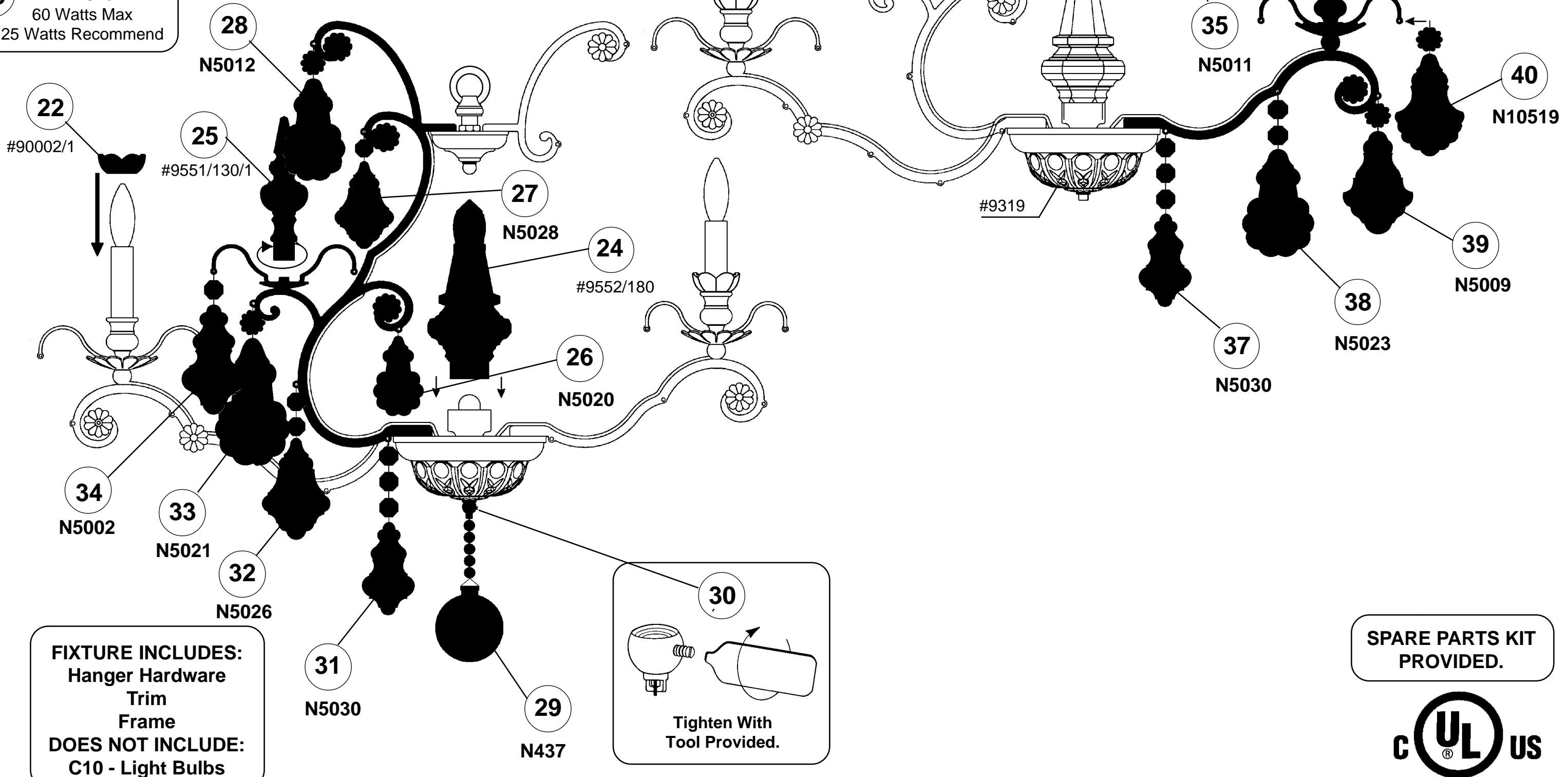
21 1 - T7
15 Watts Max
(Center Light)



23 12 - C10
60 Watts Max
25 Watts Recommend

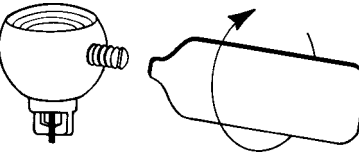


HANG CRYSTAL WITH FLAT SIDE TO FRONT

FIXTURE INCLUDES:
Hanger Hardware
Trim
Frame
DOES NOT INCLUDE:
C10 - Light Bulbs

30



Tighten With Tool Provided.

SPARE PARTS KIT PROVIDED.

