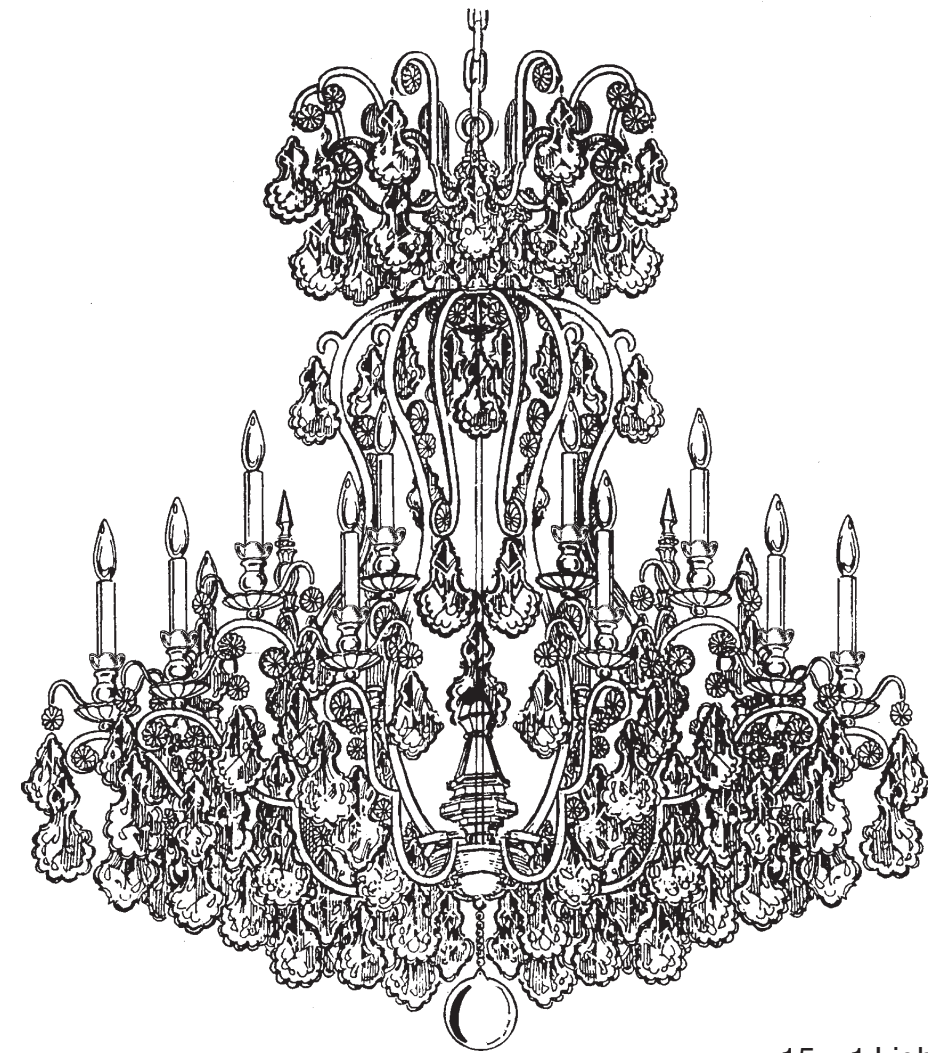




SCHONBEK®

VERSAILLES 2773- _ _ _



THIS DESIGN IS THE PROPRIETARY TRADE DRESS/TRADemark OF SWAROVSKI LIGHTING, LTD.

15 + 1 Lights
Diameter: 38"
Body Length: 44"
Hanging Weight: 79 lbs.



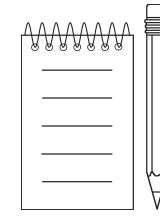
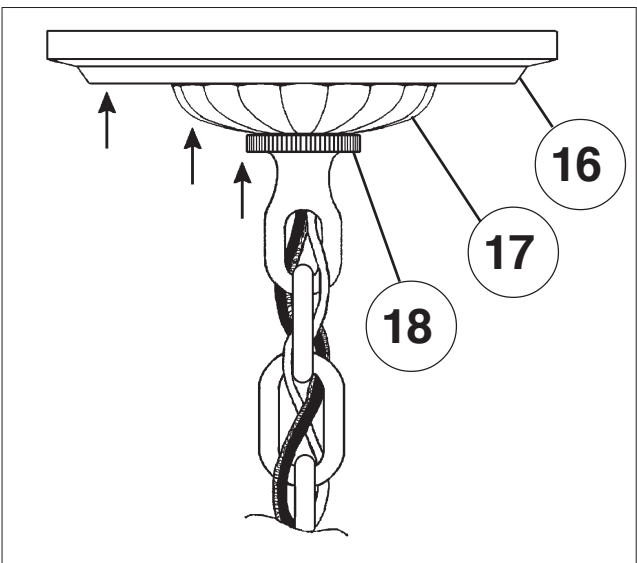
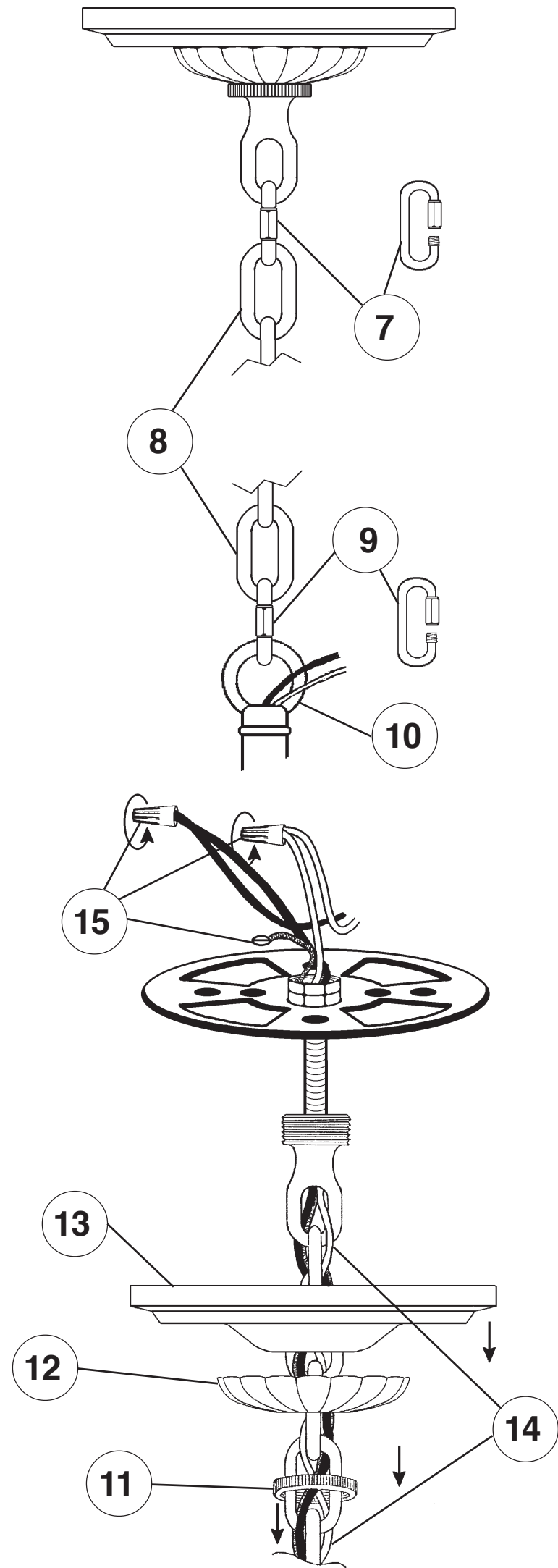
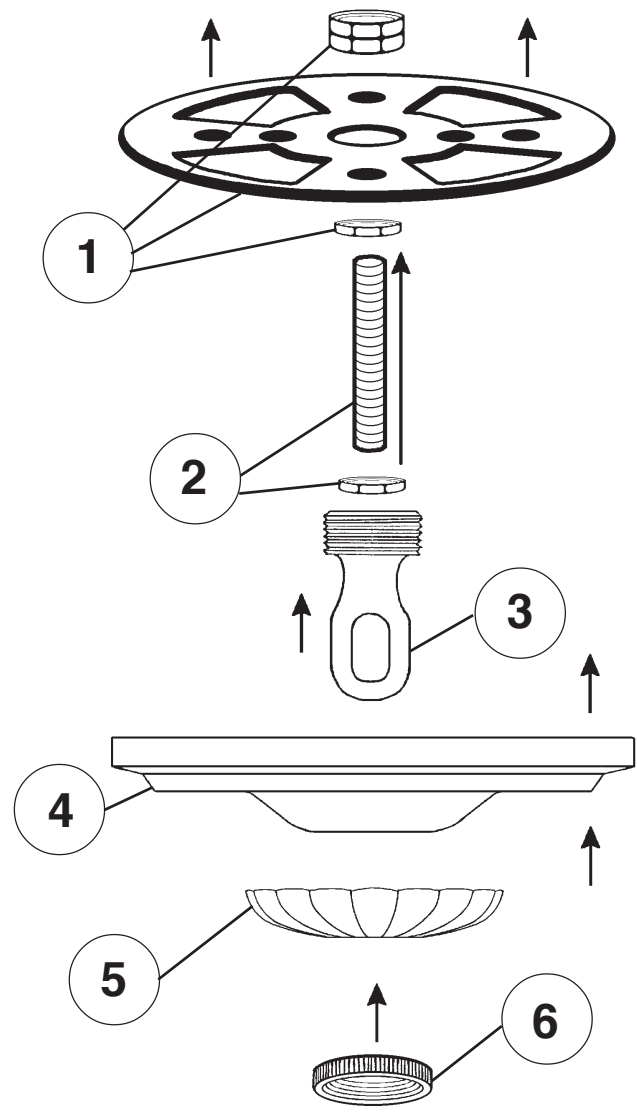
SCHONBEK®

MAX <u>60</u> W	MAX <u>15</u> W	110-120 V					

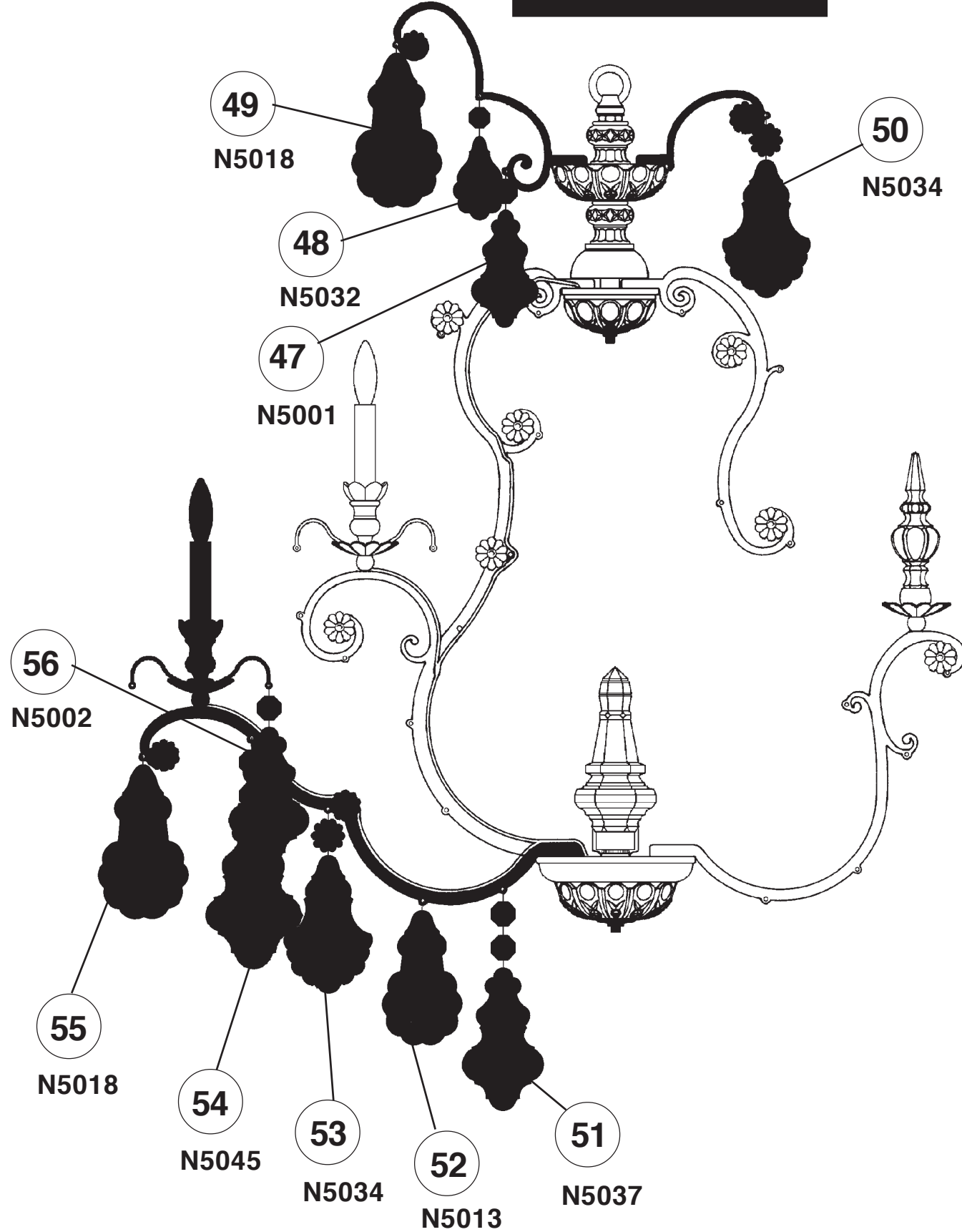
SCHONBEK® is a member of the Swarovski group.

All electrical components must be installed by a licensed electrician in accordance with the National Electric Code and the appropriate local electrical codes.

WARNING: THIS LUMINAIRE MUST BE MOUNTED OR SUPPORTED INDEPENDENTLY OF AN OUTLET BOX.



Crystal Set #3 in Black



SET #1

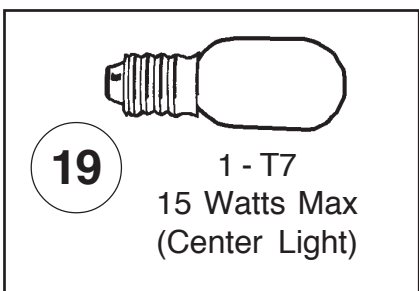
N5031	N5003	N5002	N5012	N5029	N5036	N5004	N5010
2-1/2"	4"	4"	4"	4"	4"	5"	5"
63mm	102mm	102mm	102mm	102mm	102mm	127mm	127mm

SET #2

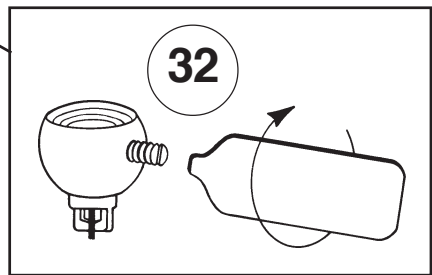
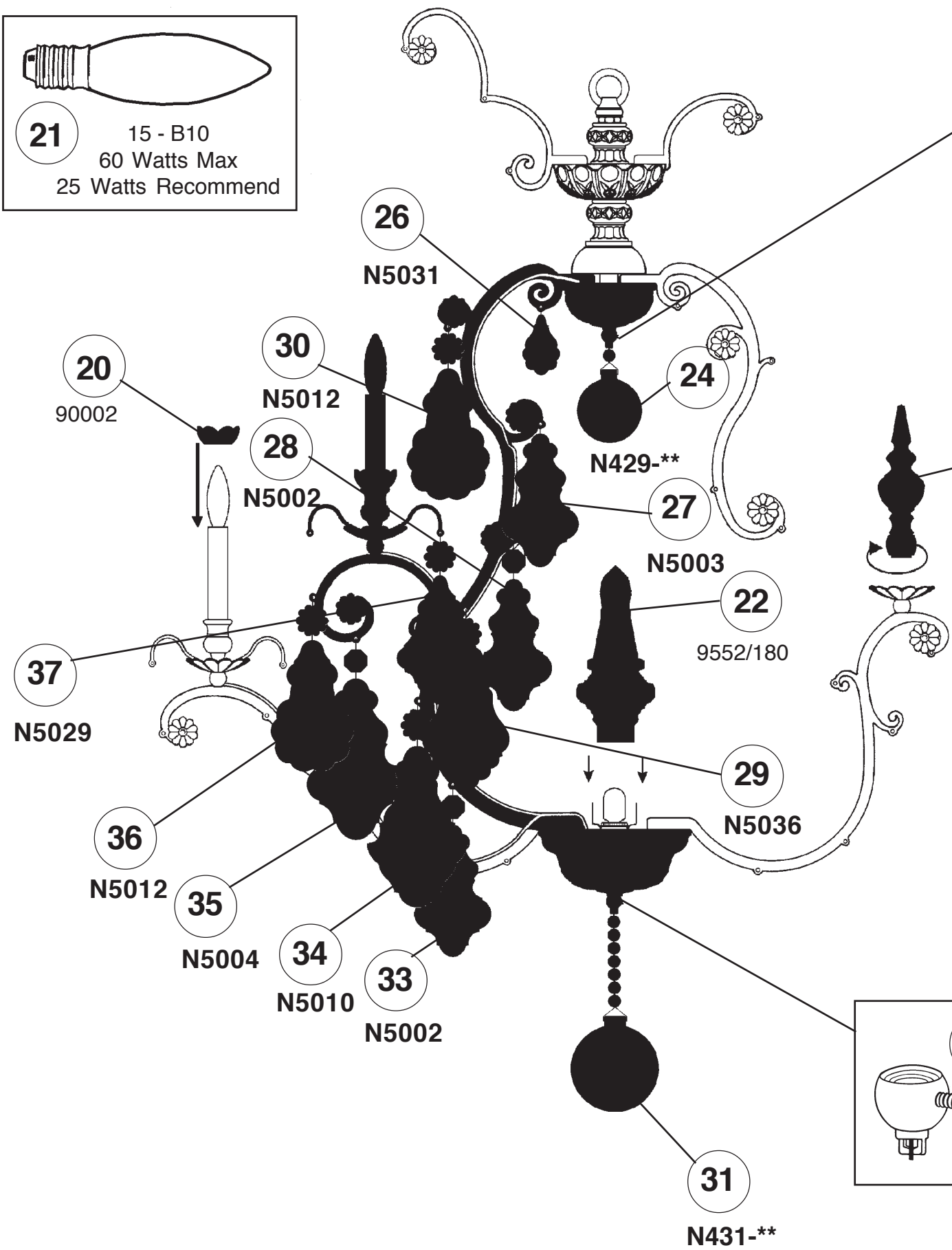
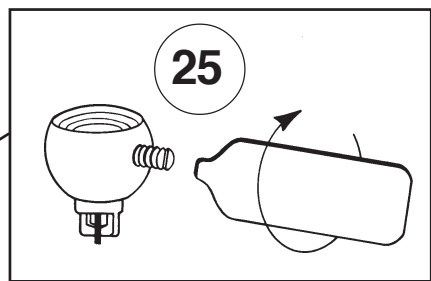
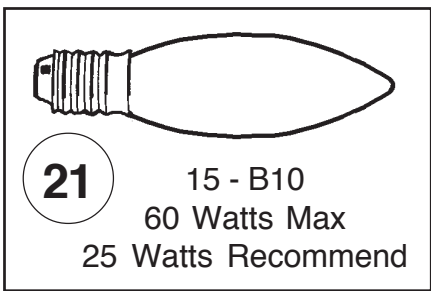
N5025	N5001	N5003	N5013	N5012	N5035	N5011	N5018
3-1/2"	3-1/2"	4"	4"	4"	4"	5"	5"
89mm	89mm	102mm	102mm	102mm	102mm	127mm	127mm

SET #3

N5032	N5001	N5013	N5002	N5034	N5037	N5018	N5045
2-1/2"	3-1/2"	4"	4"	4"	4"	5"	5"
63mm	89mm	102mm	102mm	102mm	102mm	127mm	127mm



Crystal Set #1 in Black



Crystal Set #2 in Black

