

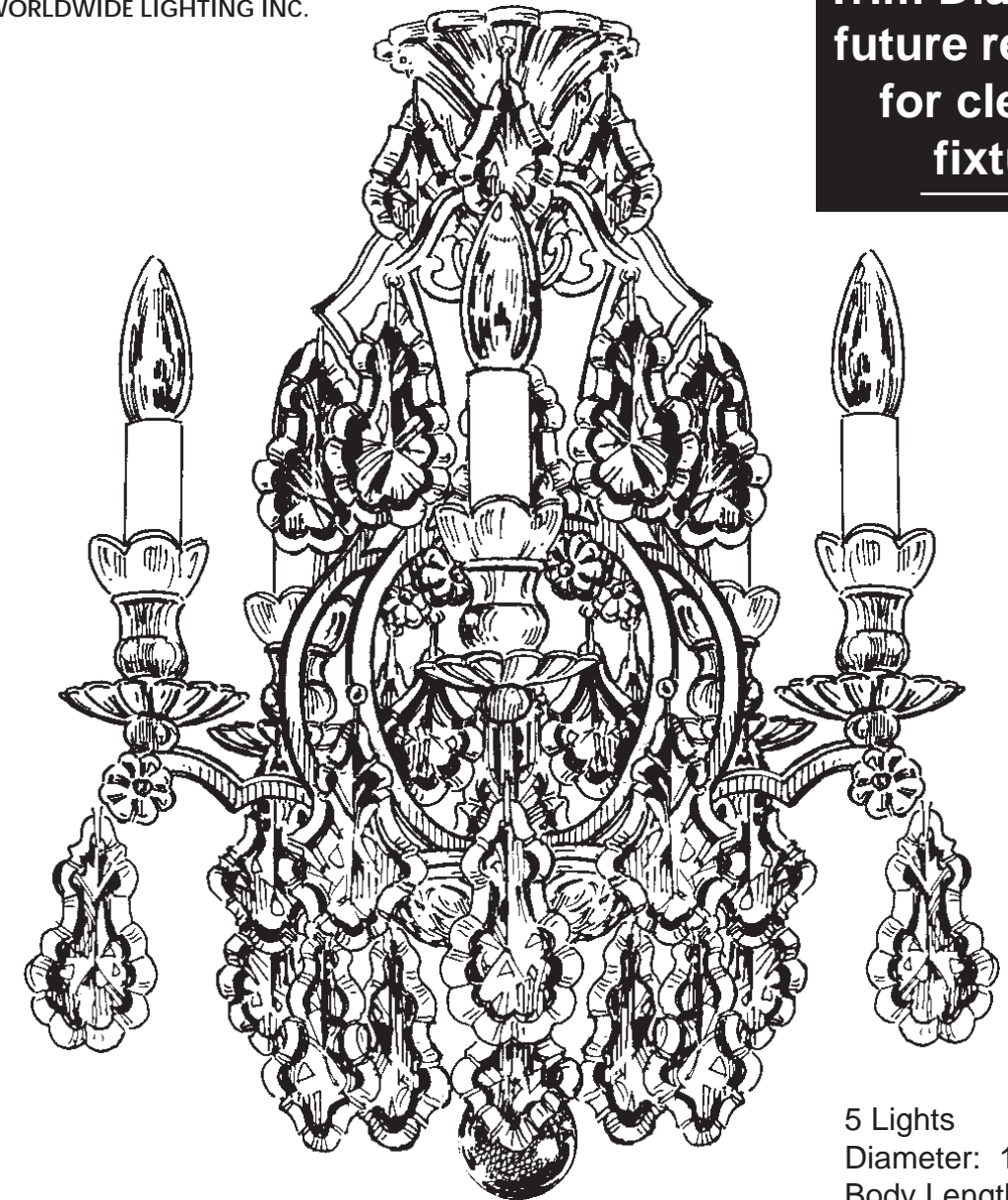
SCHONBEK®

SCHONBEK IS A WORLD LEADER IN CHANDELIER
DESIGN. PATENTS INCLUDE:
#D5,222,805

CHANDELIER 2769- (Finish Option) PLEASE READ AND SAVE!

THIS DESIGN IS THE PROPRIETARY
TRADE DRESS/TRADEMARK OF
SCHONBEK WORLDWIDE LIGHTING INC.

Please keep
Trim Diagram for
future reference
for cleaning
fixture!



5 Lights
Diameter: 14-1/2"
Body Length: 19"
Hanging Weight: 8 lbs.

SCHONBEK®

**FOLLOW STEPS
#1 TO #33 IN ORDER**

1

IMPORTANT
*Please record the following
information for future service.*

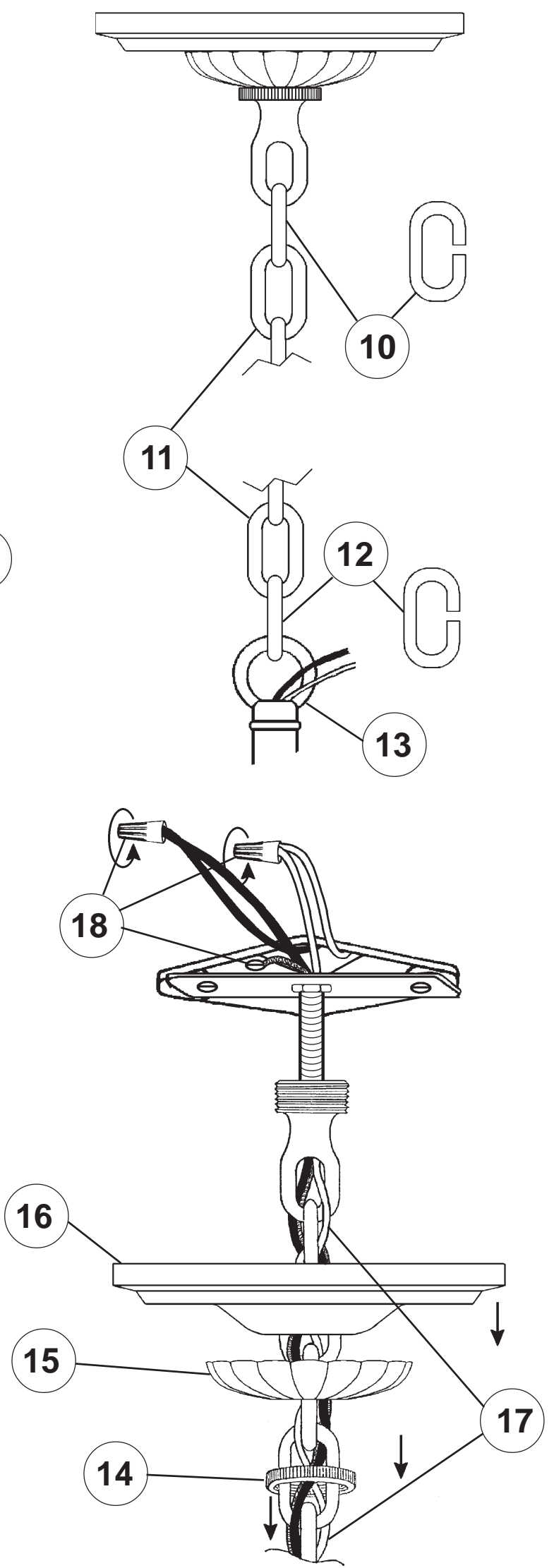
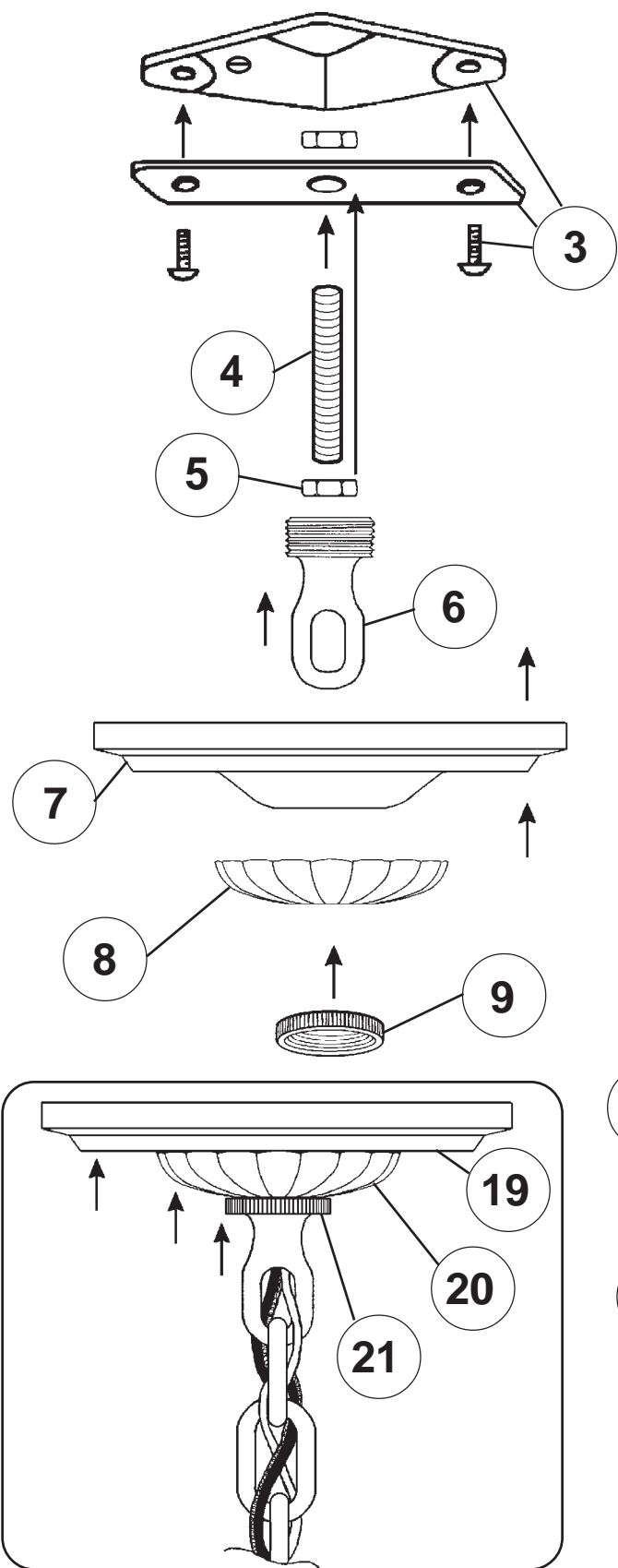
CODE # _____ Four-digit number on outside of carton.
PACKER # _____ See crystal package label.
ORDER # _____ See crystal package label.

WARNING:

2

Electrical Danger **Turn Power Off**

All electrical components must be installed by a licensed electrician in accordance with the National Electric Code and the appropriate local electrical codes.



MAINTENANCE:

Use a soft, lint - free cloth to clean the metal frame.

UNDER NO CIRCUMSTANCES SHOULD METAL POLISHES, CLEANERS, ABRASIVES OR AEROSOL SPRAYS BE USED.

While the latest finishing techniques have been used on the metal frame, such finish cannot be unconditionally guaranteed. The main cause of deterioration, apart from certain atmospheric conditions, is improper cleaning.

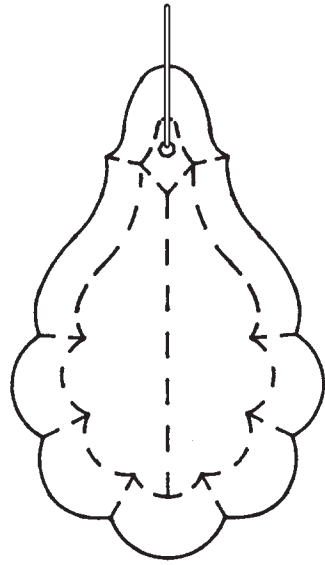
To clean the crystals, polish with a damp chamois.

You are cleaning delicate jewelry... Take the greatest care.

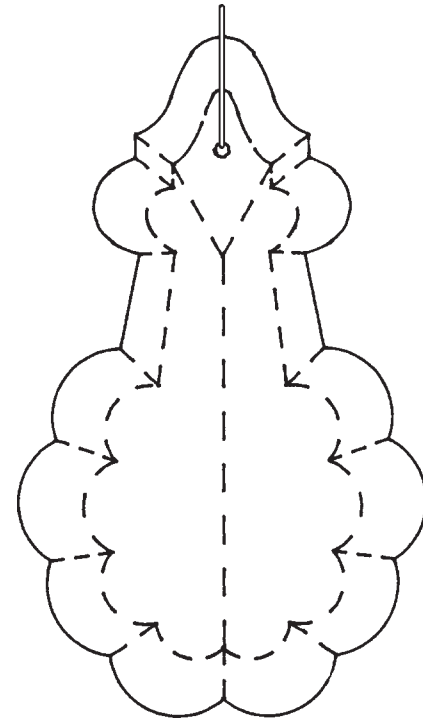
IMPORTANT:

Do not clean crystals in a dishwasher. The finish of the metal clips and hangers will be ruined and the crystals may be damaged.

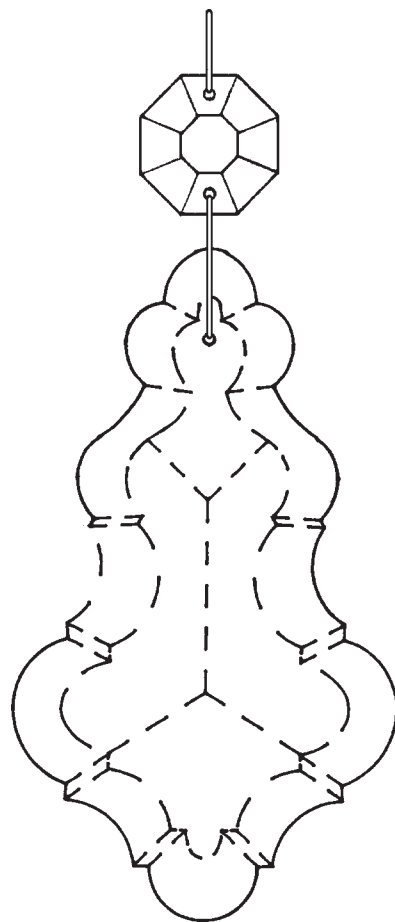
CRYSTAL ID SHEET



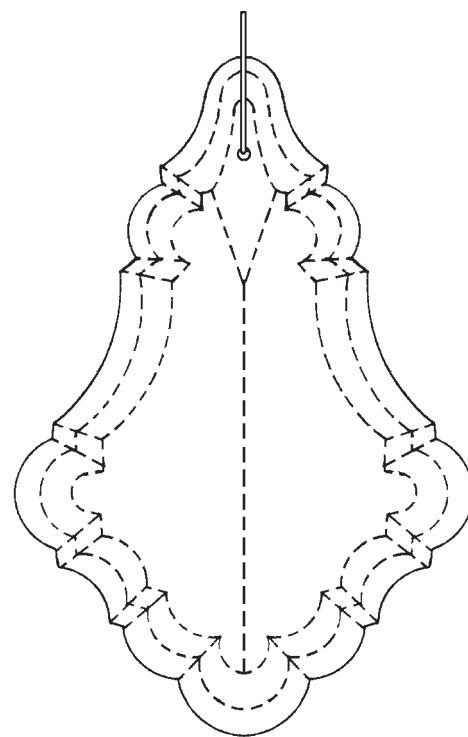
N5031
2-1/2"
63mm



N5017
3-1/2"
89mm

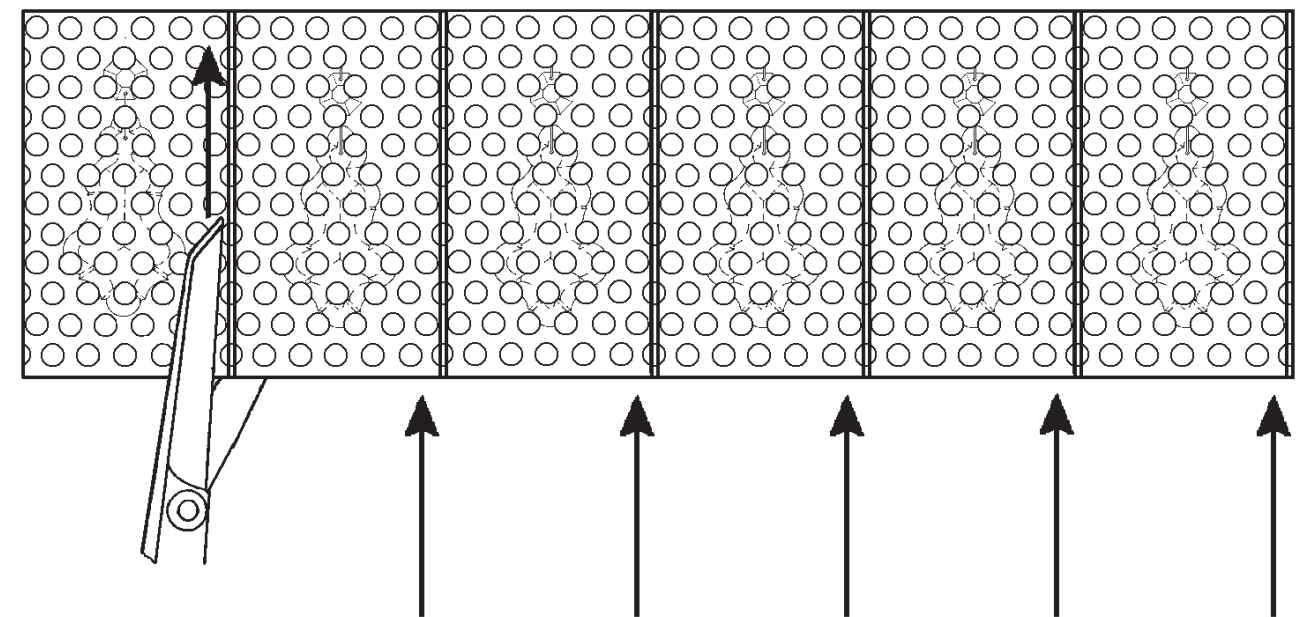


N5001
3-1/2"
89mm

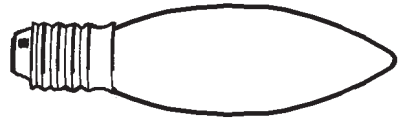


N5025
3-1/2"
89mm

For easy removal of crystal from bubble pack, please cut along pouches on the inside of the seam. Gently remove crystal from the side of the pouch.

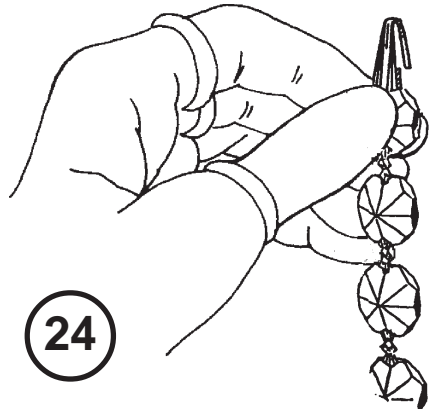


NOTE: Work on one crystal set at a time. Follow the black line from top to bottom according to the numbered steps on the trim diagram.



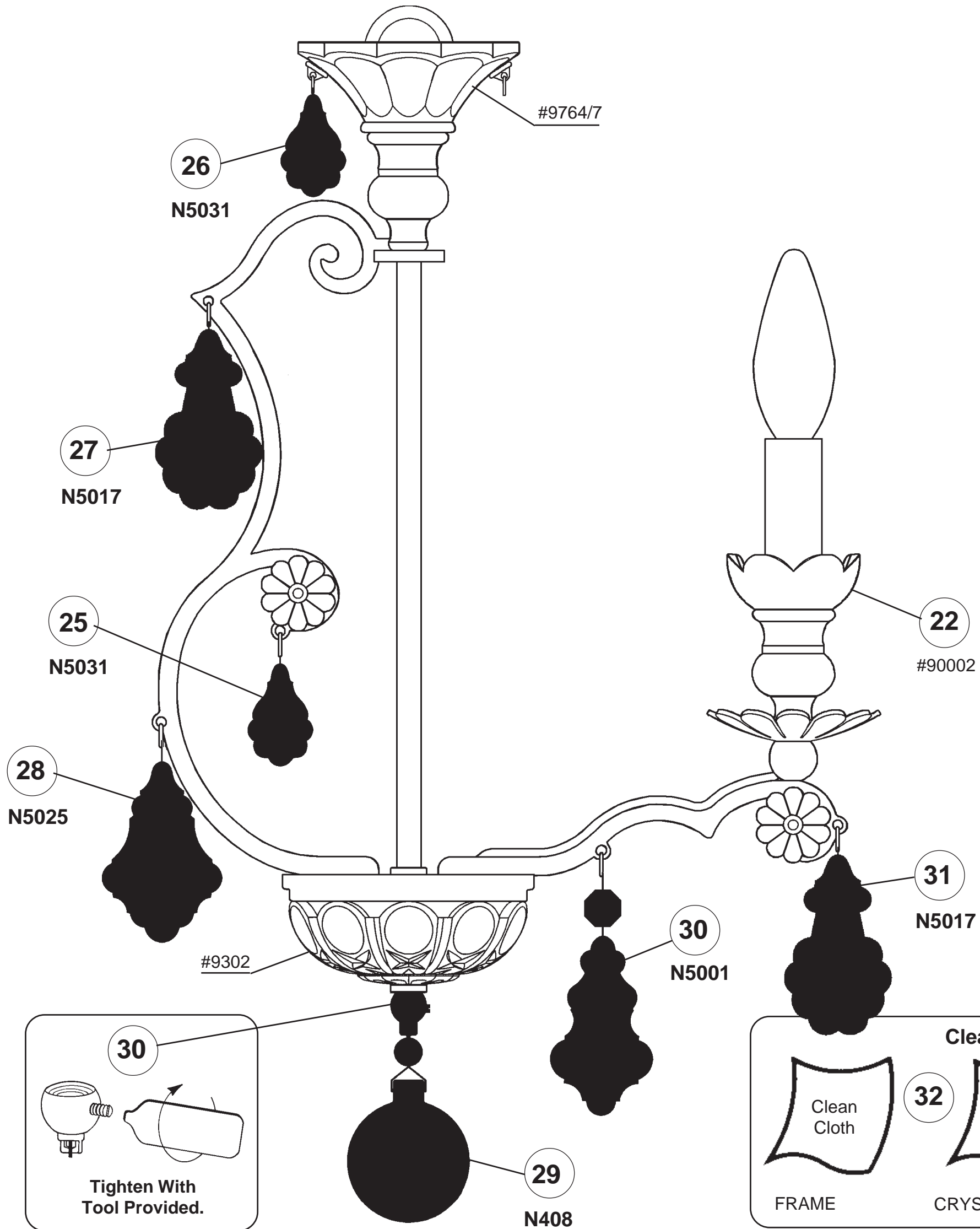
23 5 - C10
60 Watts Max
25 Watts Recommend

Use Finger Cots:



24

HANG
CRYSTAL
WITH FLAT
SIDE TO
FRONT



FIXTURE INCLUDES:
Hanger Hardware
Trim
Frame
DOES NOT INCLUDE:
C10 - Light Bulbs

**SPARE PARTS KIT
PROVIDED.**

