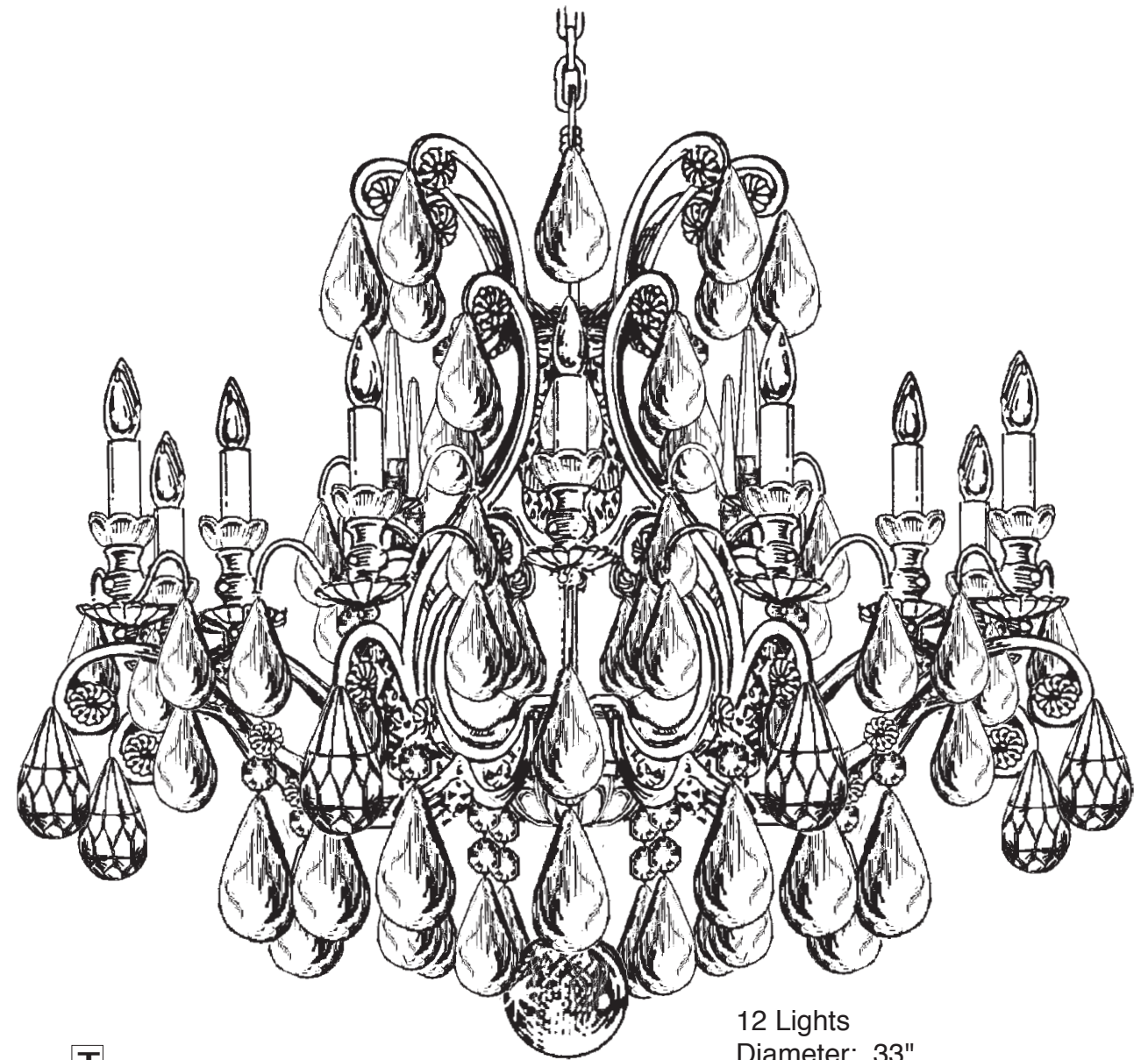


SCHONBEK®

CHANDELIER 2490- _____ TRIM DIAGRAM (Finish Option)



THIS DESIGN IS THE PROPRIETARY
TRADE DRESS/TRADE MARK OF
SCHONBEK WORLDWIDE LIGHTING INC.

12 Lights
Diameter: 33"
Body Length: 26-1/2"
Hanging Weight: 42 lbs.

SCHONBEK®

**Follow steps in exact order
Save this trim diagram for future reference**

1

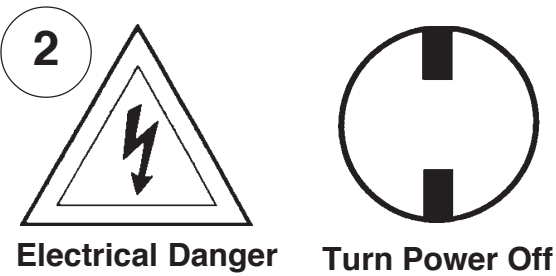
IMPORTANT

Person who opens carton should record the following information for future service.

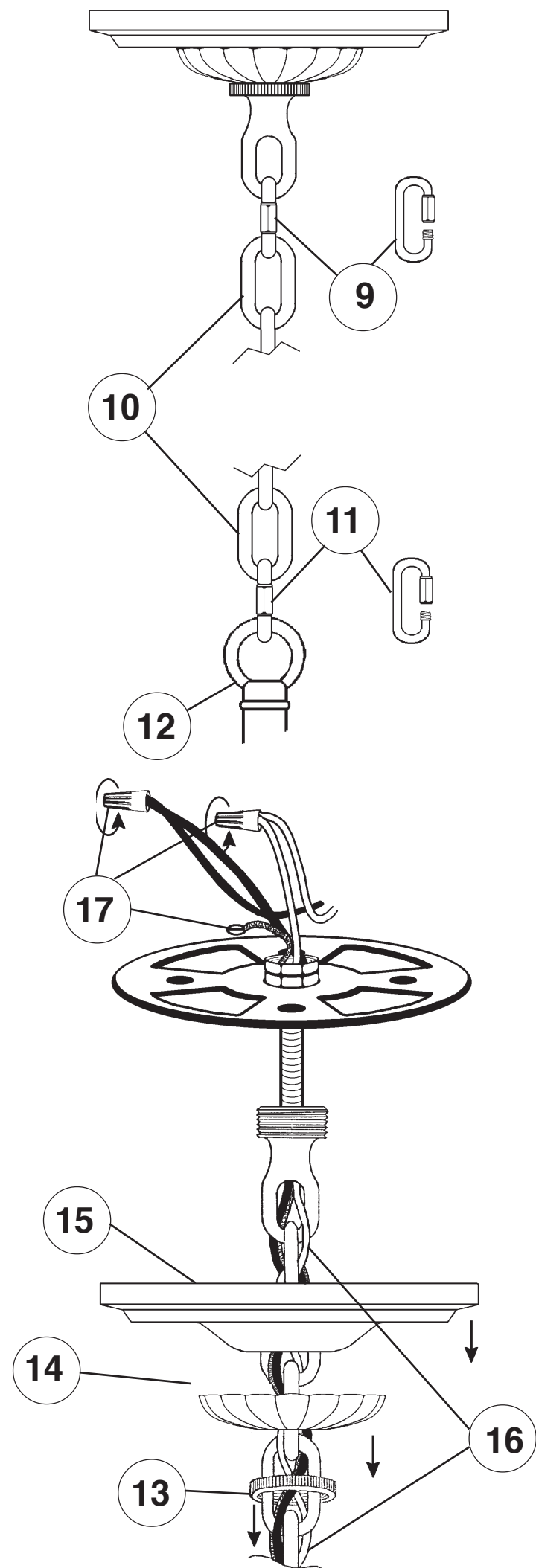
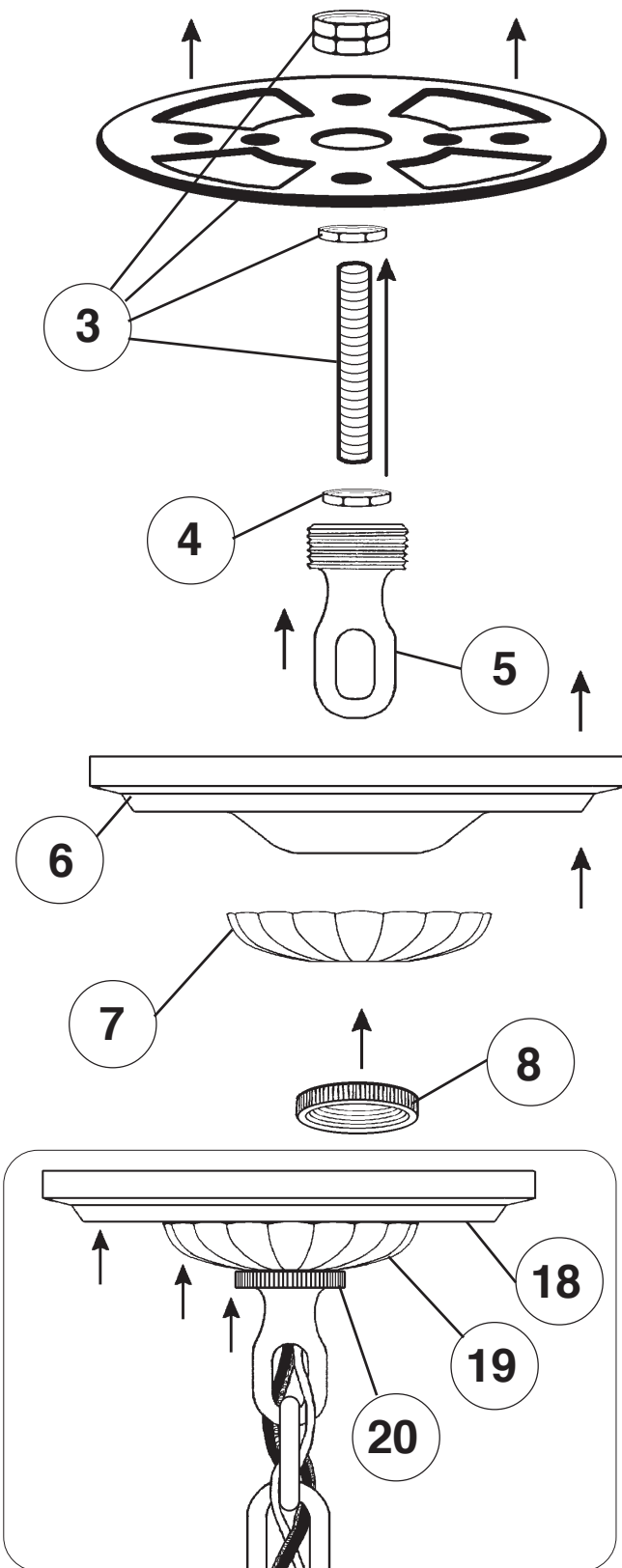
CODE # _____ Four-digit number on outside of carton.
PACKER # _____ See crystal package label.
ORDER # _____ See crystal package label.

Instructions for electrician
STEPS 2 - 20

WARNING:



All electrical components must be installed by a licensed electrician in accordance with the National Electric Code and the appropriate local electrical codes.



MAINTENANCE:

Use a soft, lint - free cloth to clean the metal frame.

UNDER NO CIRCUMSTANCES SHOULD METAL POLISHES, CLEANERS, ABRASIVES OR AEROSOL SPRAYS BE USED.

While the latest finishing techniques have been used on the metal frame, such finish cannot be unconditionally guaranteed. The main cause of deterioration, apart from certain atmospheric conditions, is improper cleaning.

To clean the crystals, polish with a damp chamois.

You are cleaning delicate jewelry... Take the greatest care.

IMPORTANT:

Do not clean crystals in a dishwasher. The finish of the metal clips and hangers will be ruined and the crystals may be damaged.

CRYSTAL ID SHEET



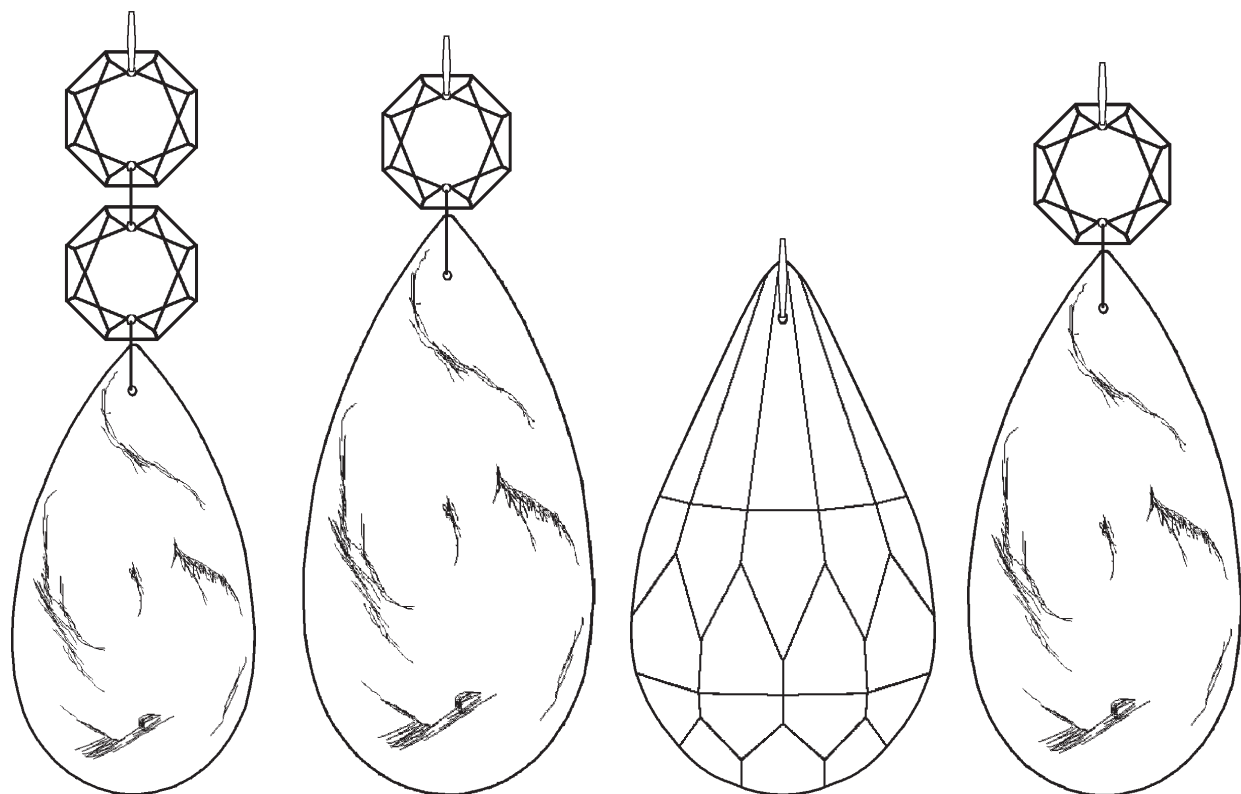
A
3"
76mm

B
2-1/2"
63mm

C
3-1/2"
89mm

D
3"
76mm

F
3-1/2"
89mm



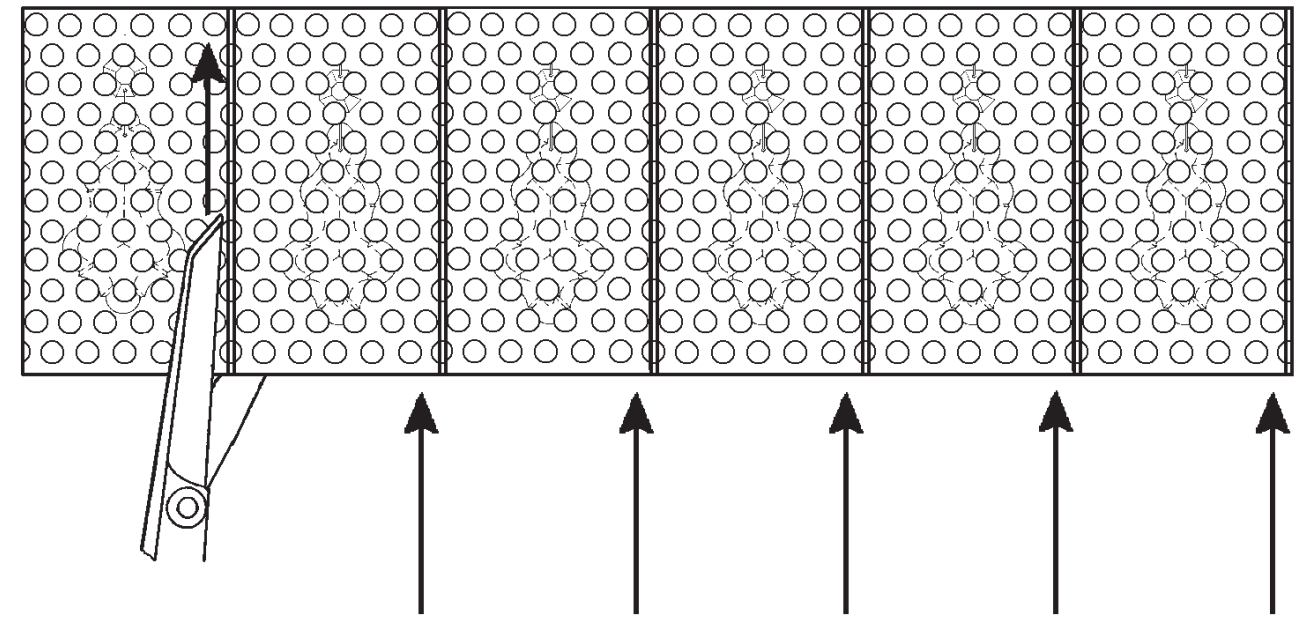
G
3"
76mm

H
4"
100mm

J
3-1/2"
89mm

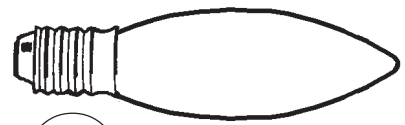
K
3-1/2"
89mm

For easy removal of crystal from bubble pack, please cut along pouches on the inside of the seam. Gently remove crystal from the side of the pouch.



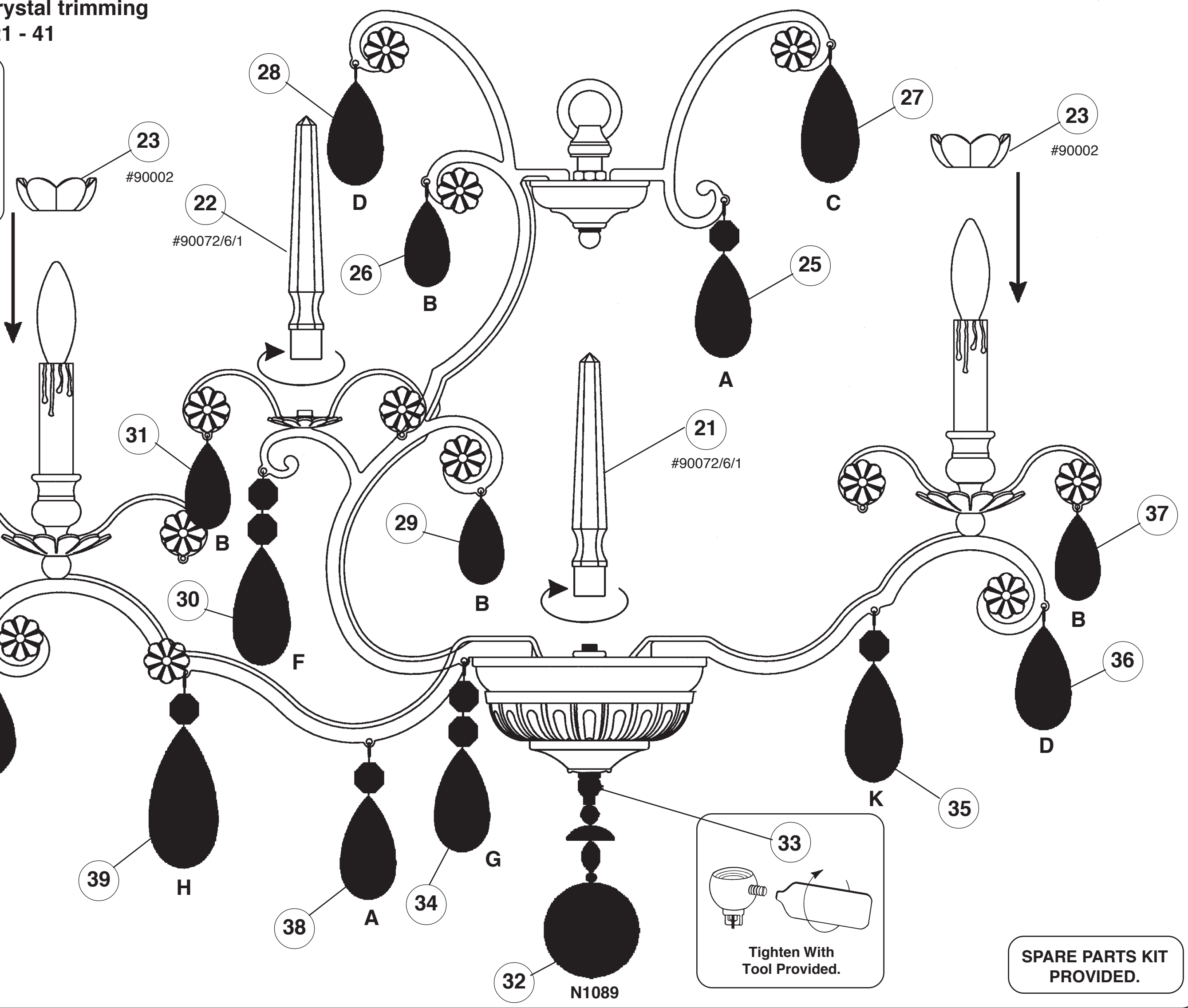
NOTE: Work on one crystal set at a time. Follow the black line from top to bottom according to the numbered steps on the trim diagram.

Instructions for crystal trimming
STEPS 21 - 41



24

You will need 12 - B10
 25 Watts Recommended
 60 Watts Max



33

Tighten With
 Tool Provided.

**SPARE PARTS KIT
 PROVIDED.**

