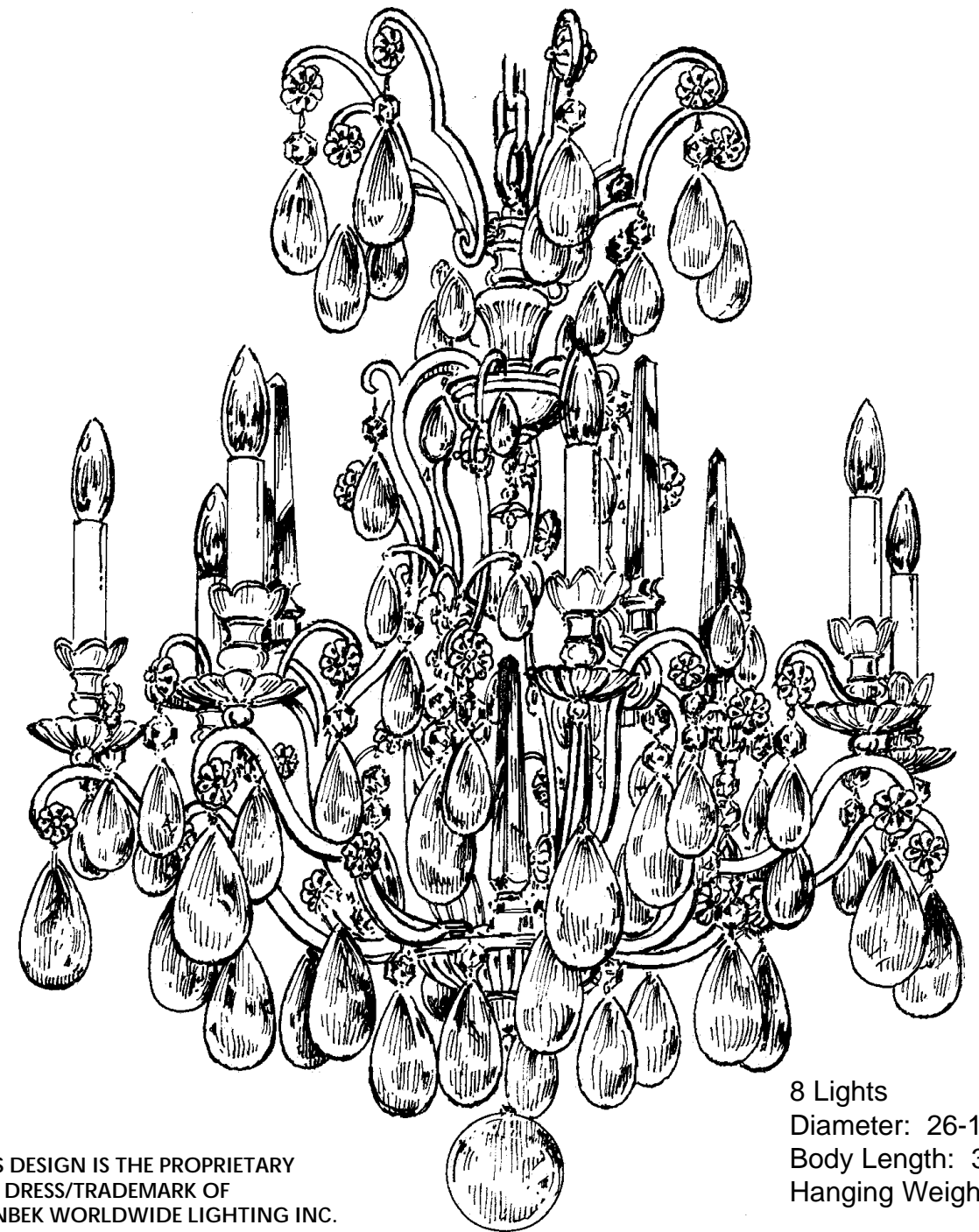


SCHONBEK®

SCHONBEK IS A WORLD LEADER IN CHANDELIER DESIGN. PATENTS INCLUDE:
 #D292,620, #D335,362, #D335,546, #D335,716, #D335,720, #D336,537, #D338,082, #D389,264,
 #D338,278, #D339,879, #D345,815, #D373,441, #D374,102, #D374,103, #D374,498, #D382,077,
 #D393,325, #D397,495, #D397,494, #D403,101, #D435,686, #D454,973, #D454,974, #D455,224,
 #D456,940, #D463,602S, #D463,603S, #D464,769S, #D468,480, #2,651,806, #5,104,082, #5,109,325,
 #5,116,009, #5,144,541, #5,205,644, #5,222,805, #5,241,460, #5,255,173, #5,258,900, #5,285,364,
 #5,404,285, #5,460,269, #5,567,046, #5,567,468, #5,573,330, #5,577,838, #5,588,744, #5,873,652,
 #5,906,430, #5,921,668 & #6,241,370B1

CHANDELIER 2471- _____ TRIM DIAGRAM

(Finish Option)



THIS DESIGN IS THE PROPRIETARY
 TRADE DRESS/TRADEMARK OF
 SCHONBEK WORLDWIDE LIGHTING INC.

8 Lights
 Diameter: 26-1/2"
 Body Length: 32"
 Hanging Weight: 36 lbs.

SCHONBEK®

**See diagram on back page
 Follow steps in exact order
 Save this trim diagram for future reference**

1

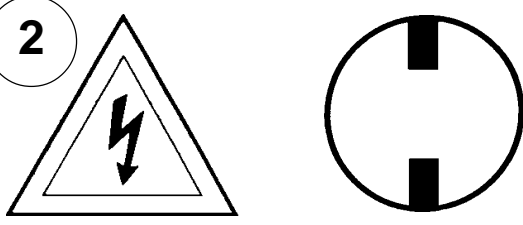
IMPORTANT

Person who opens carton should record the following information for future service.

CODE # _____ Four-digit number on outside of carton.
 PACKER # _____ See crystal package label.
 ORDER # _____ See crystal package label.

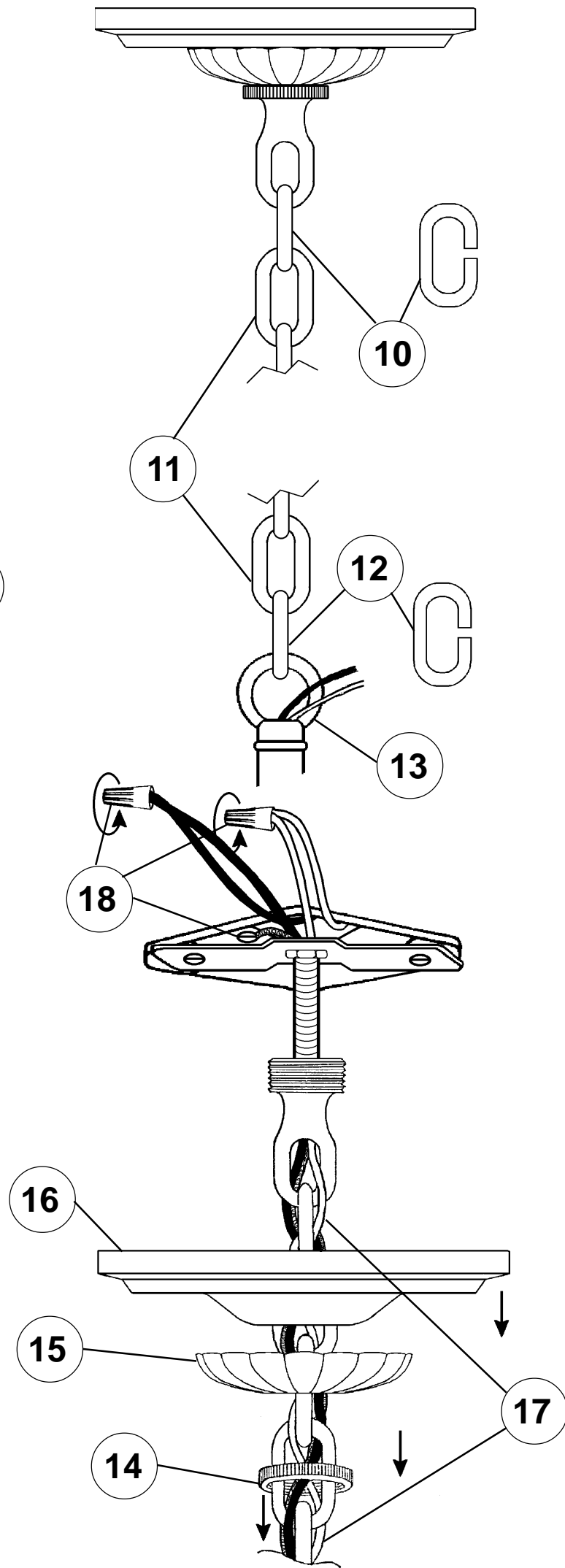
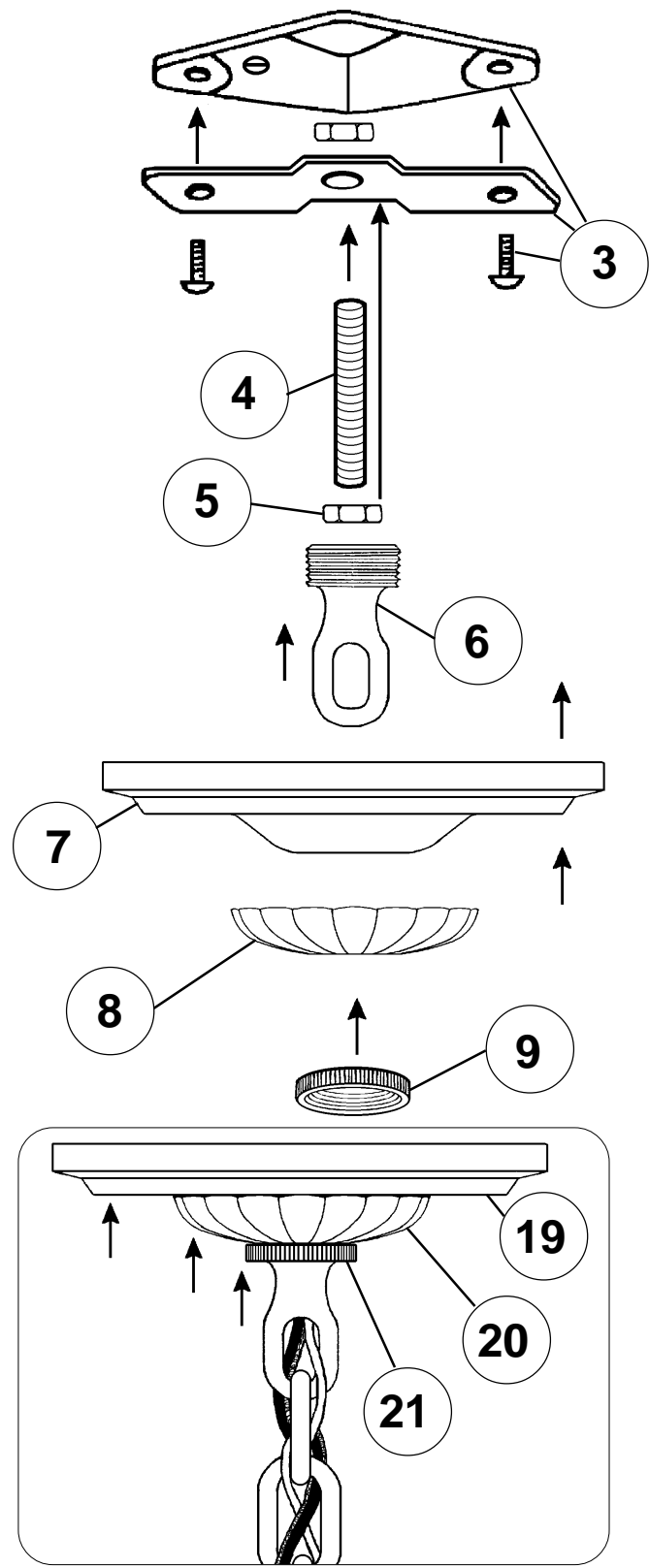
Instructions for electrician
STEPS 2 - 21

WARNING:

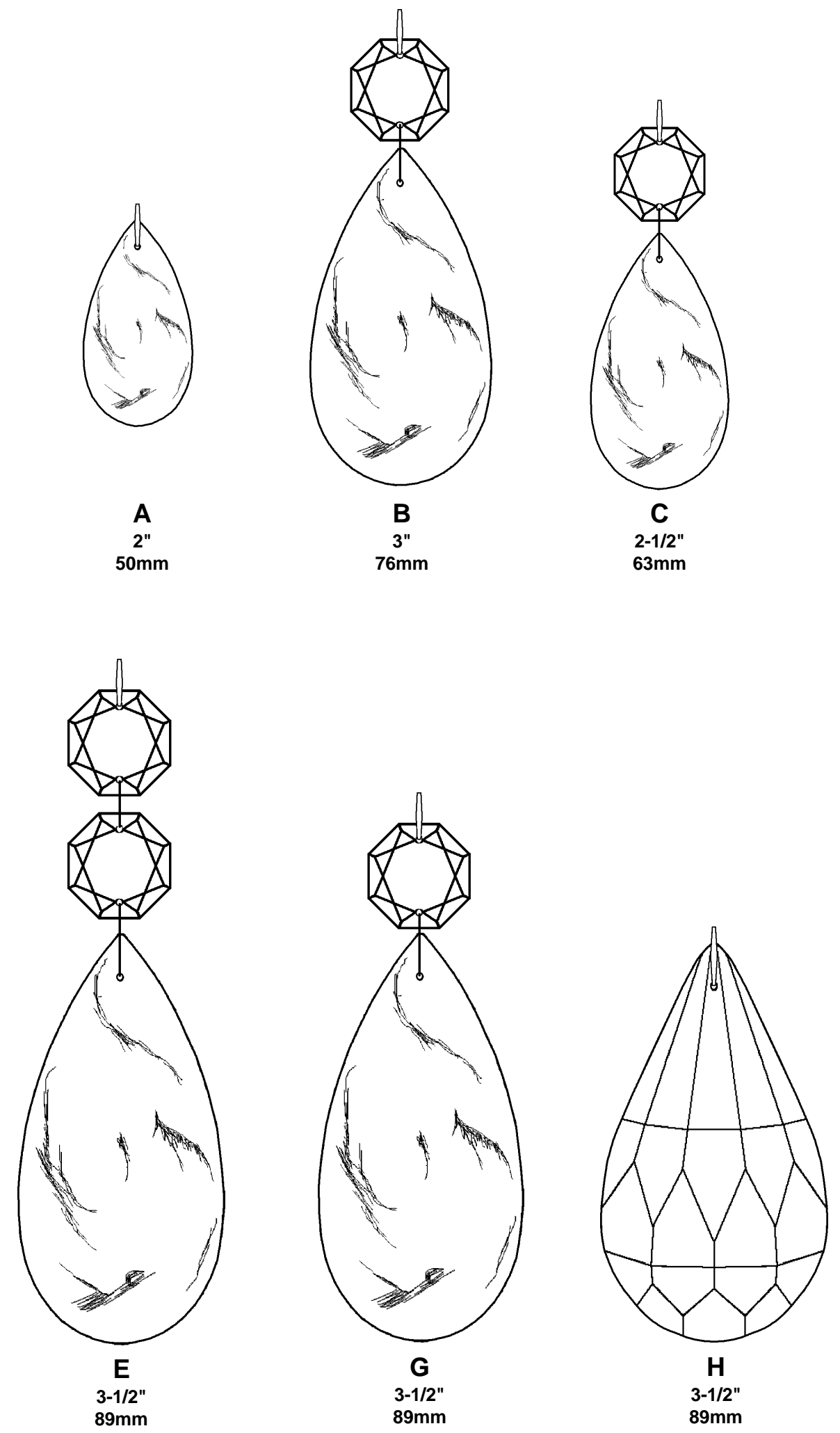


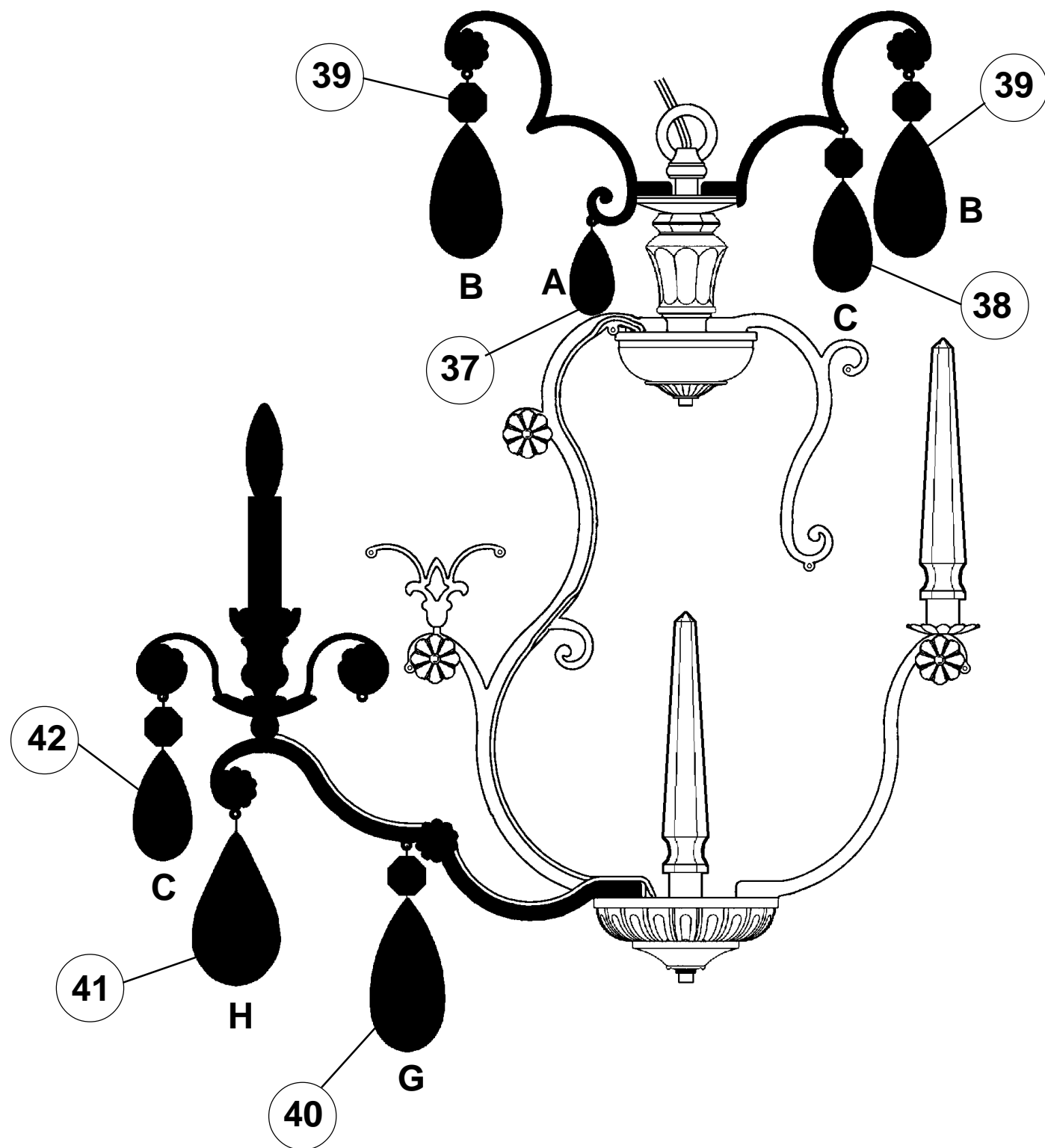
2 Electrical Danger Turn Power Off

All electrical components must be installed by a licensed electrician in accordance with the National Electric Code and the appropriate local electrical codes.

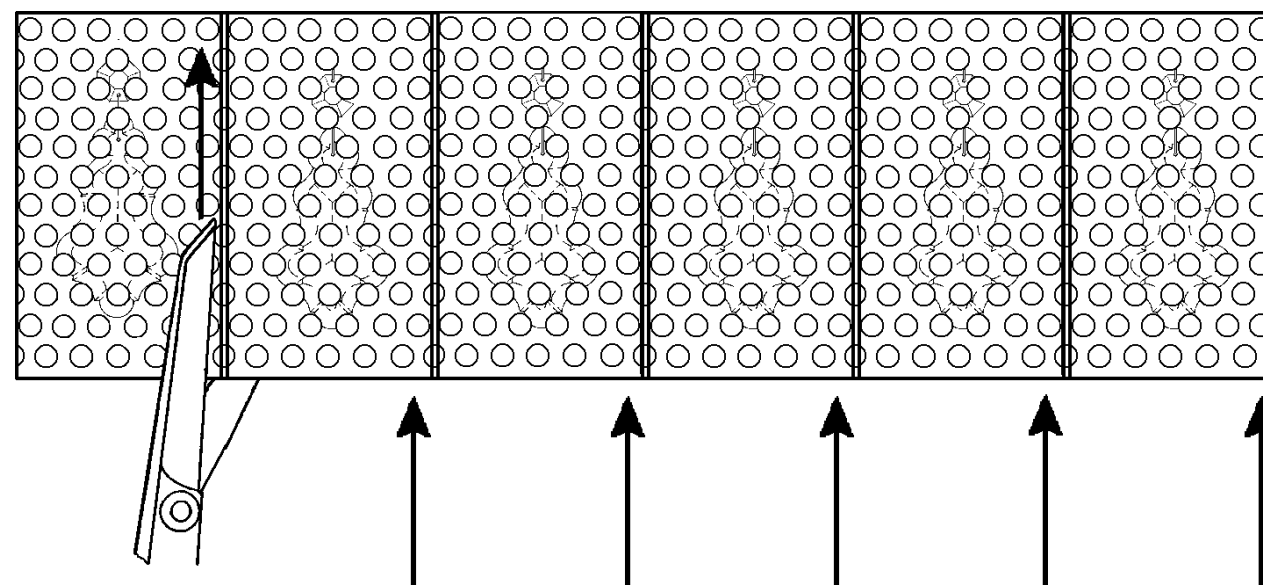


CRYSTAL ID SHEET





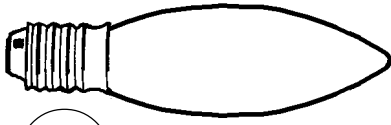
For easy removal of crystal from bubble pack, please cut along pouches on the inside of the seam. Gently remove crystal from the side of the pouch.



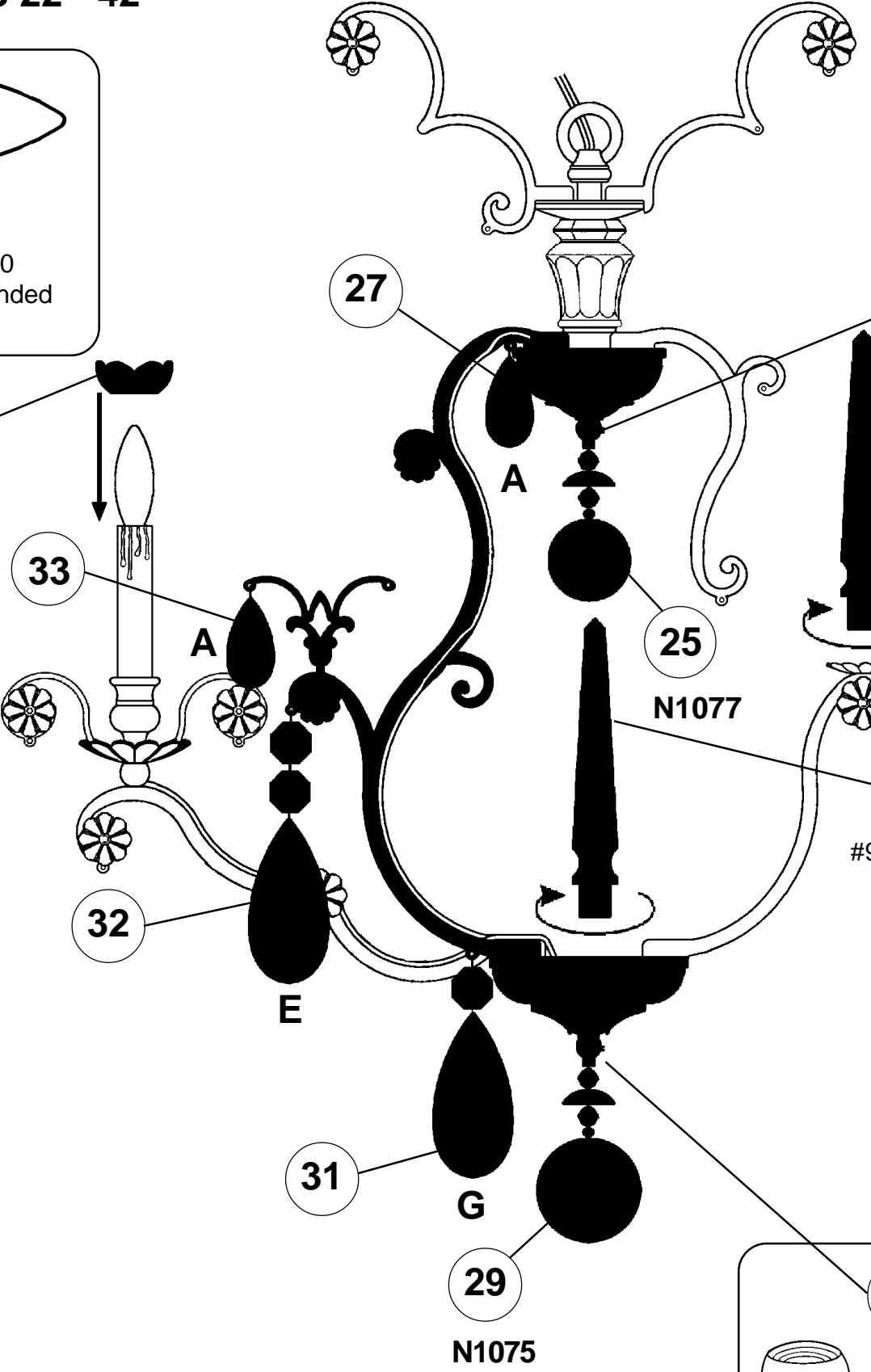
NOTE: Work on one crystal set at a time. Follow the black line from top to bottom according to the numbered steps on the trim diagram.

Instructions for crystal trimming
STEPS 22 - 42

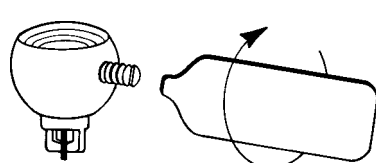
22
 You will need 8 - C10
 25 Watts Recommended
 60 Watts Max



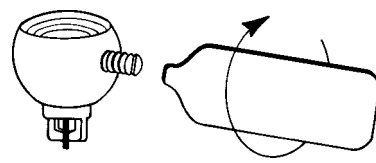
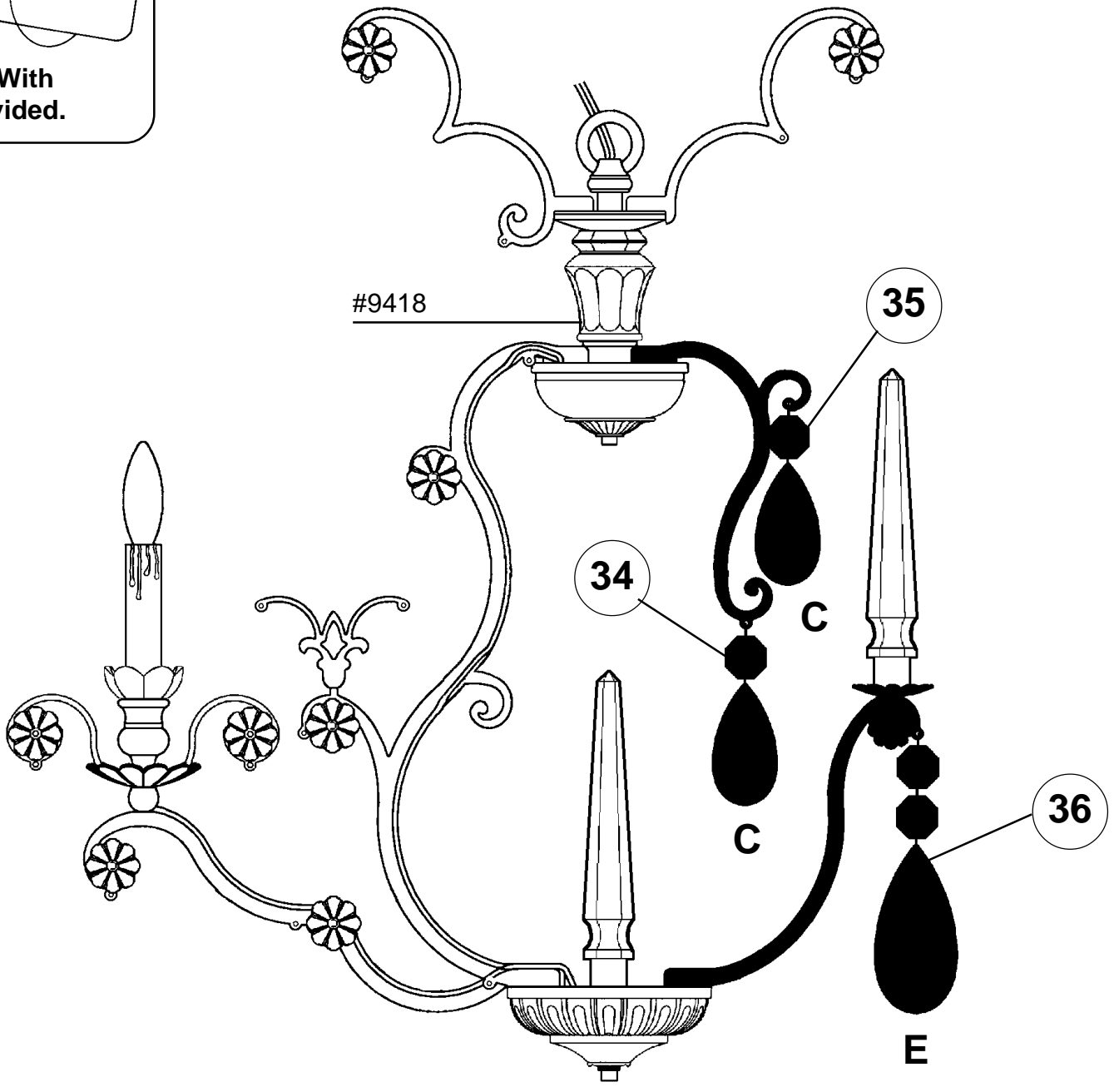
23
 #90002

26
 Tighten With
 Tool Provided.



30
 Tighten With
 Tool Provided.

**SPARE PARTS KIT
 PROVIDED.**