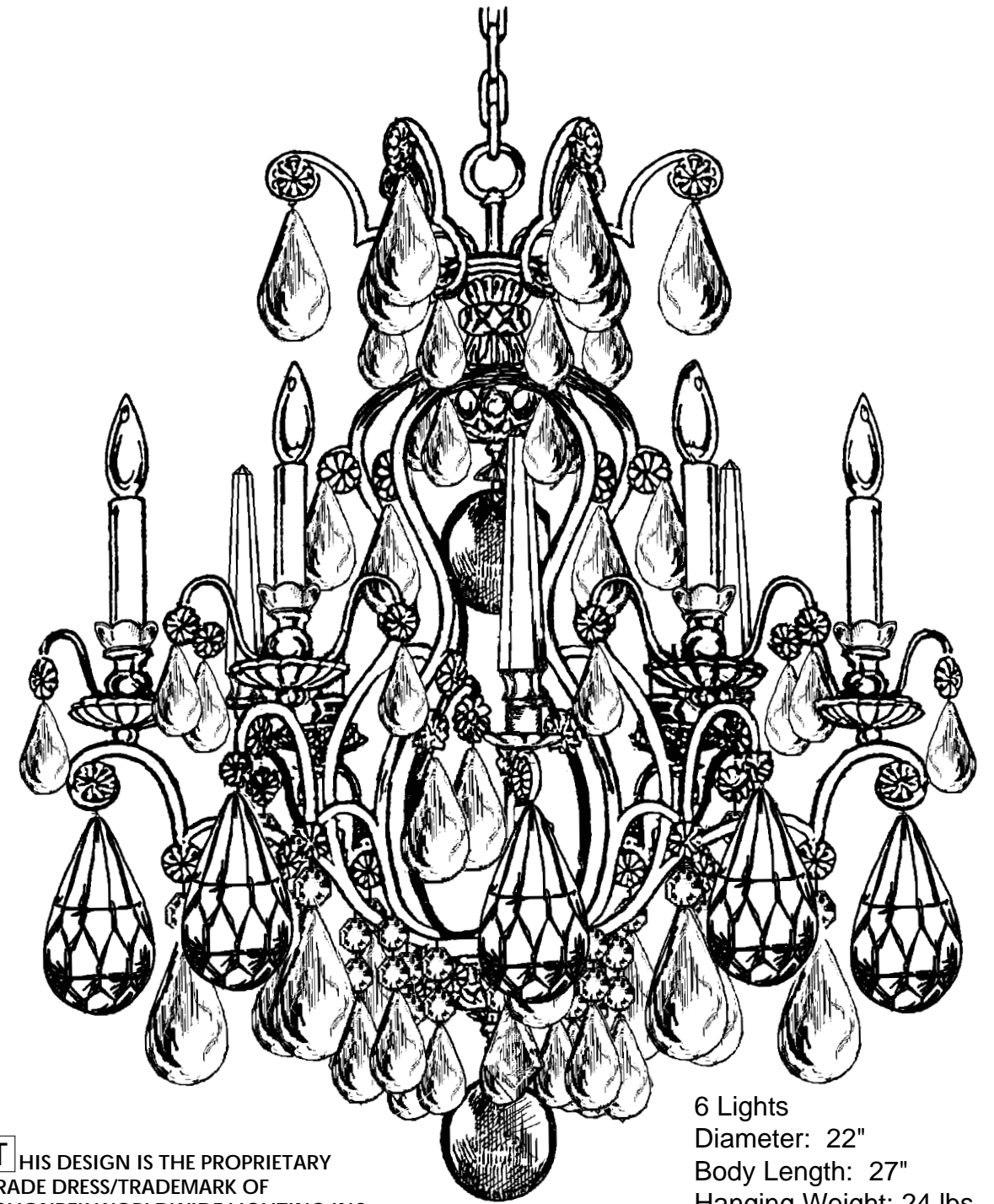


# SCHONBEK®

SCHONBEK IS A WORLD LEADER IN CHANDELIER DESIGN. PATENTS INCLUDE:  
 #D292,620, #D335,362, #D335,546, #D335,716, #D335,720, #D336,537, #D338,082, #D389,264,  
 #D338,278, #D339,879, #D345,815, #D373,441, #D374,102, #D374,103, #D374,498, #D382,077,  
 #D393,325, #D397,495, #D397,494, #D403,101, #D435,686, #D454,973, #D454,974, #D455,224,  
 #D456,940, #D463,602S, #D463,603S, #D464,769S, #D468,480, #2,651,806, #5,104,082, #5,109,325,  
 #5,116,009, #5,144,541, #5,205,644, #5,222,805, #5,241,460, #5,255,173, #5,258,900, #5,285,364,  
 #5,404,285, #5,460,269, #5,567,046, #5,567,468, #5,573,330, #5,577,838, #5,588,744, #5,873,652,  
 #5,906,430, #5,921,668 & #6,241,370B1

## CHANDELIER 2470- \_\_\_\_\_ TRIM DIAGRAM (Finish Option)



THIS DESIGN IS THE PROPRIETARY  
 TRADE DRESS/TRADEMARK OF  
 SCHONBEK WORLDWIDE LIGHTING INC.

6 Lights  
 Diameter: 22"  
 Body Length: 27"  
 Hanging Weight: 24 lbs.

# SCHONBEK®

See diagram on back page  
 Follow steps in exact order  
 Save this trim diagram for future reference

1

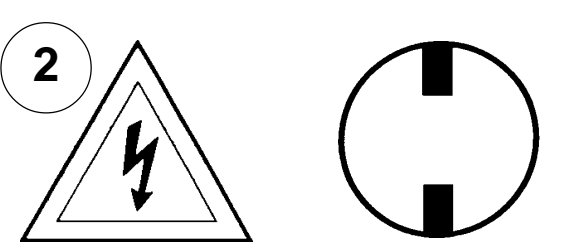
### IMPORTANT

Person who opens carton should record the following information for future service.

CODE # \_\_\_\_\_ Four-digit number on outside of carton.  
 PACKER # \_\_\_\_\_ See crystal package label.  
 ORDER # \_\_\_\_\_ See crystal package label.

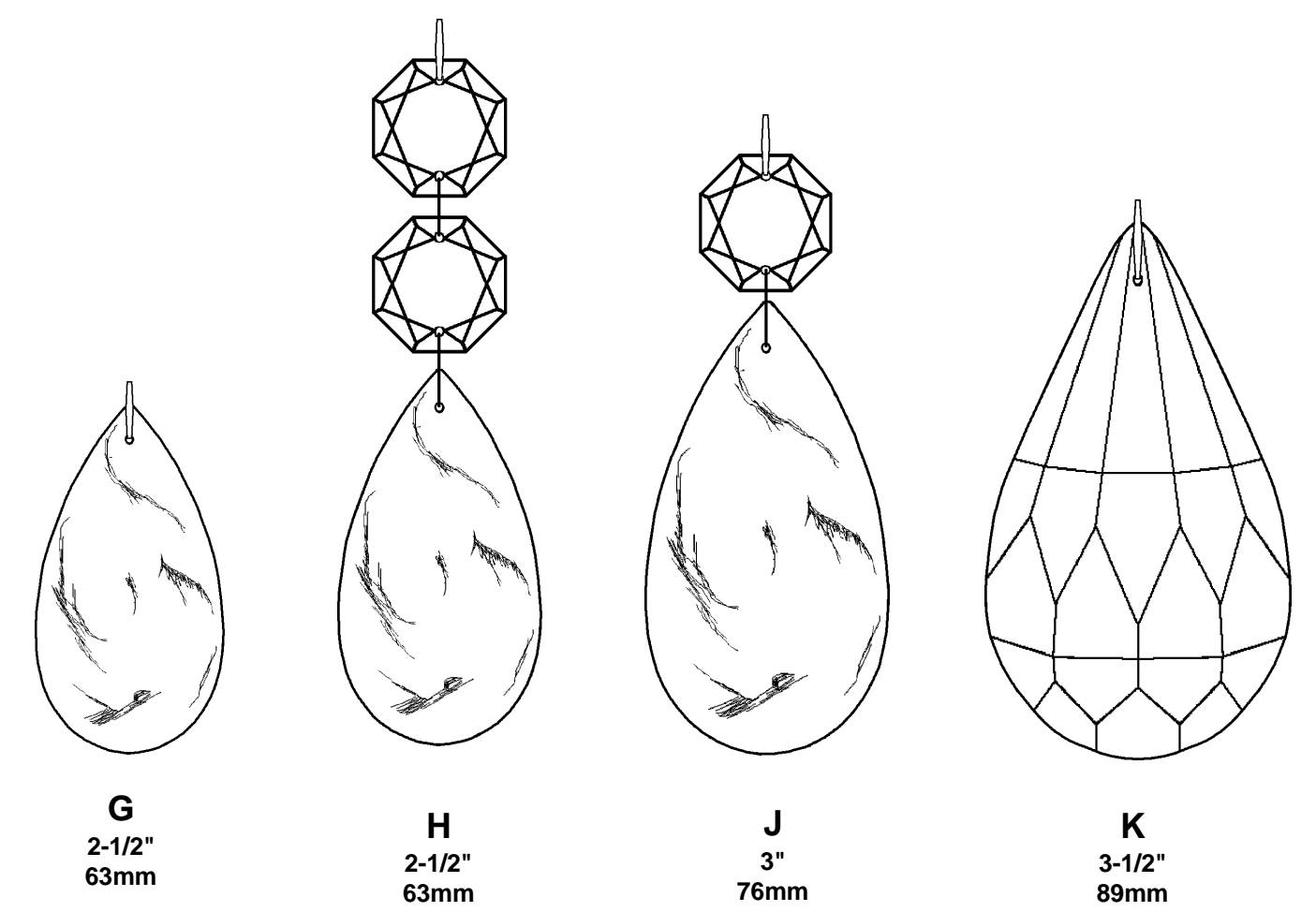
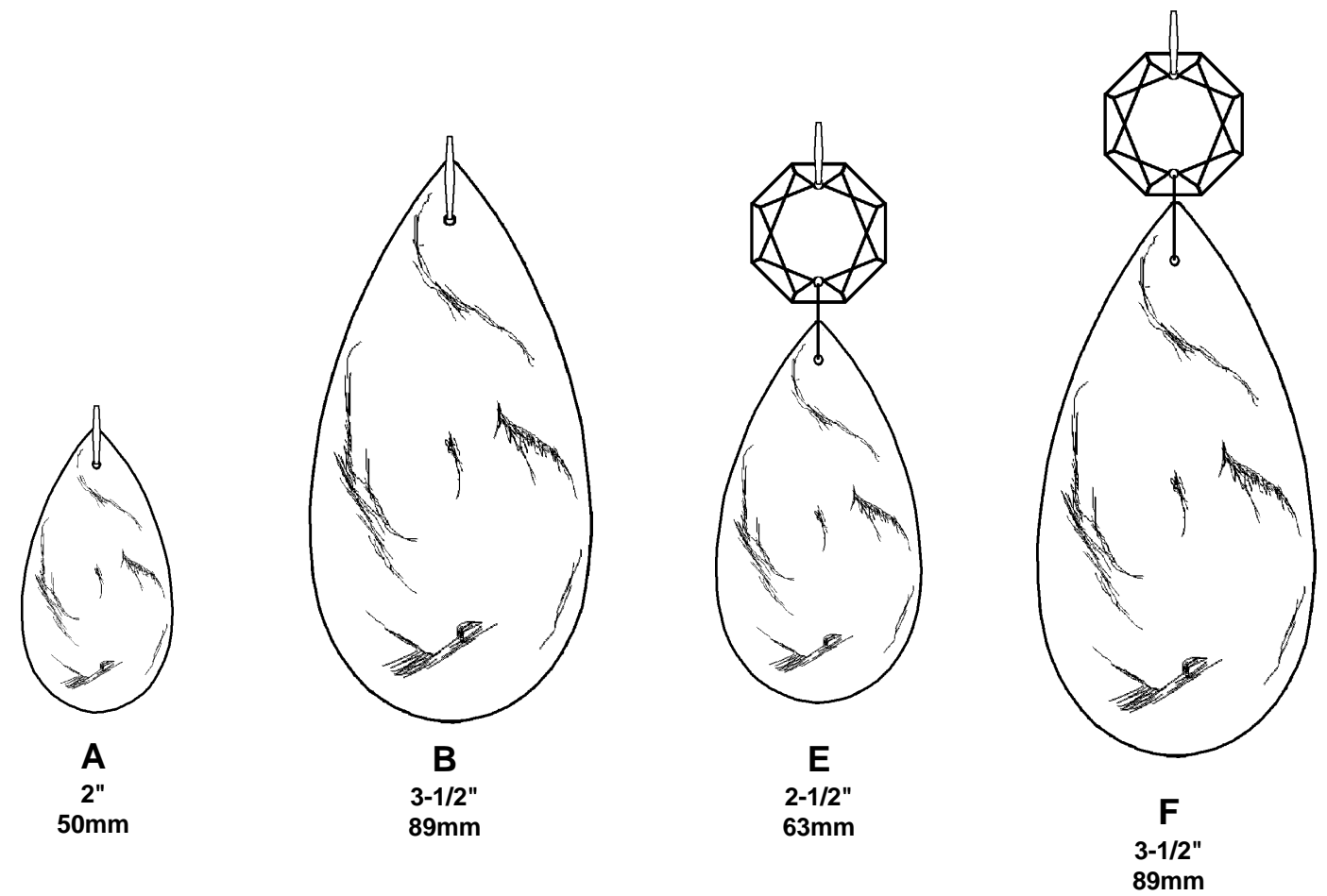
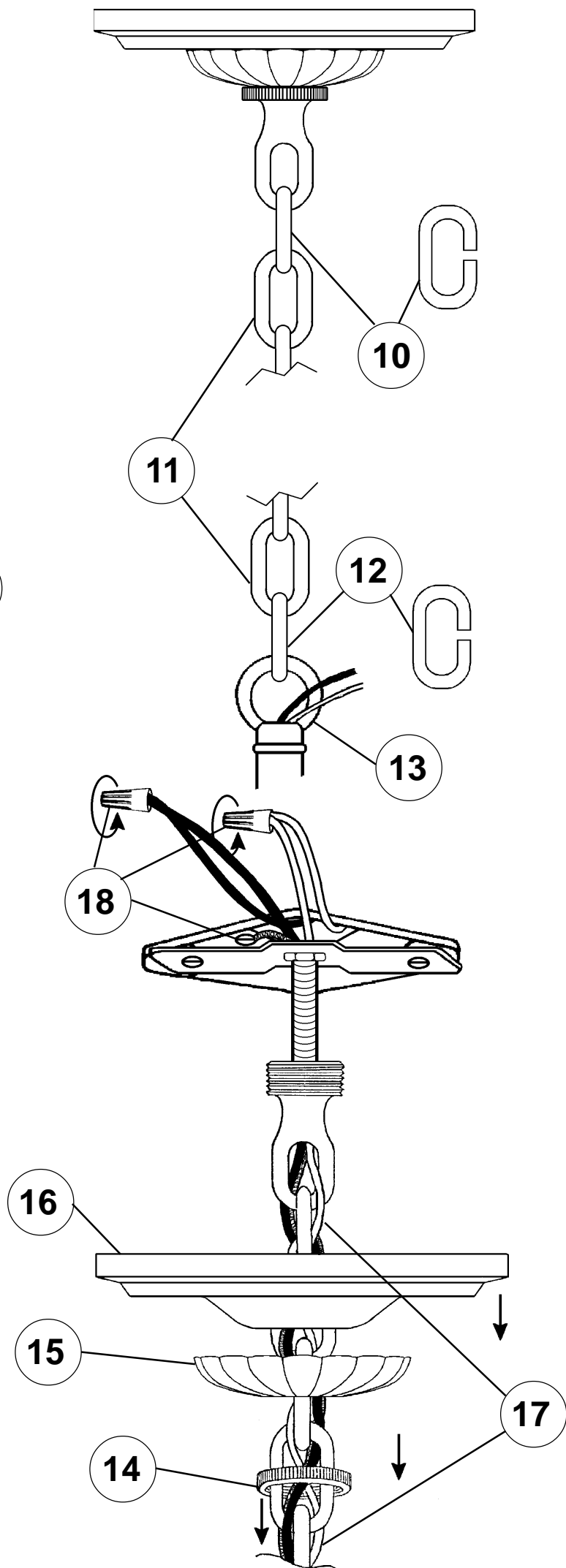
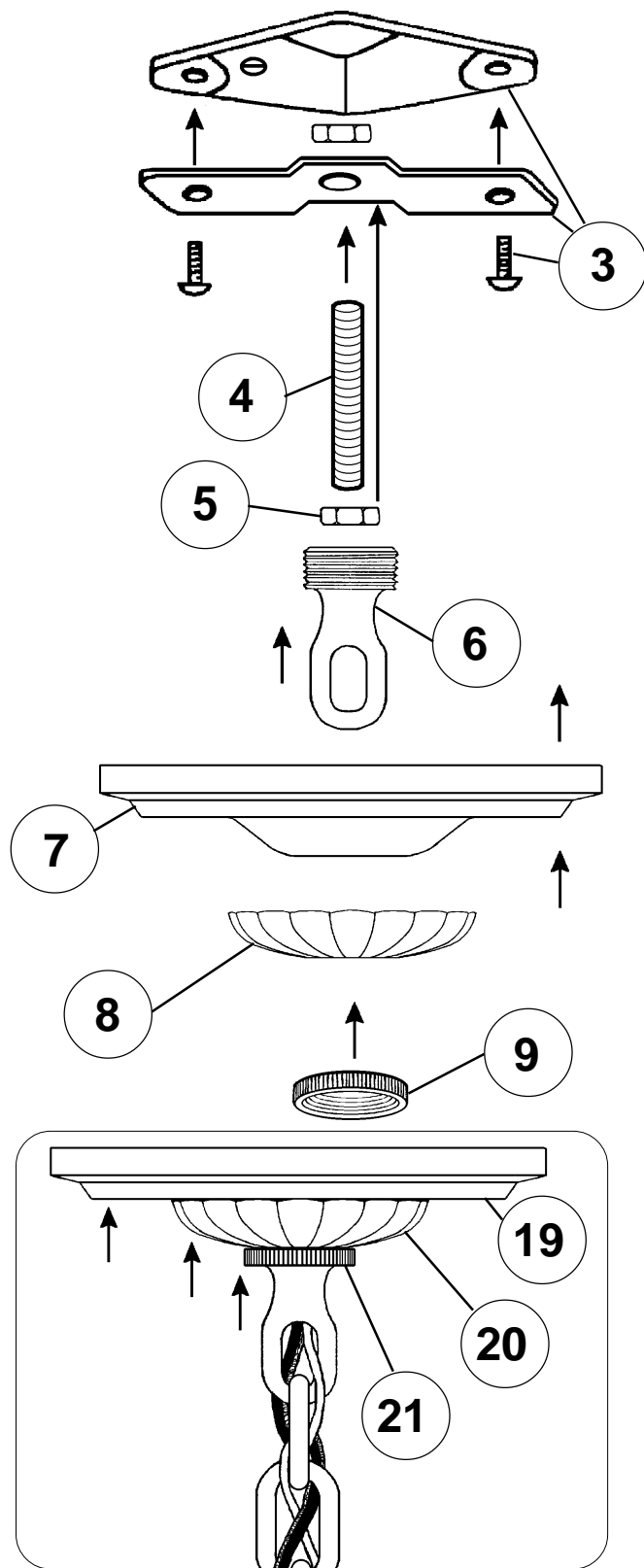
**Instructions for electrician**  
**STEPS 2 - 21**

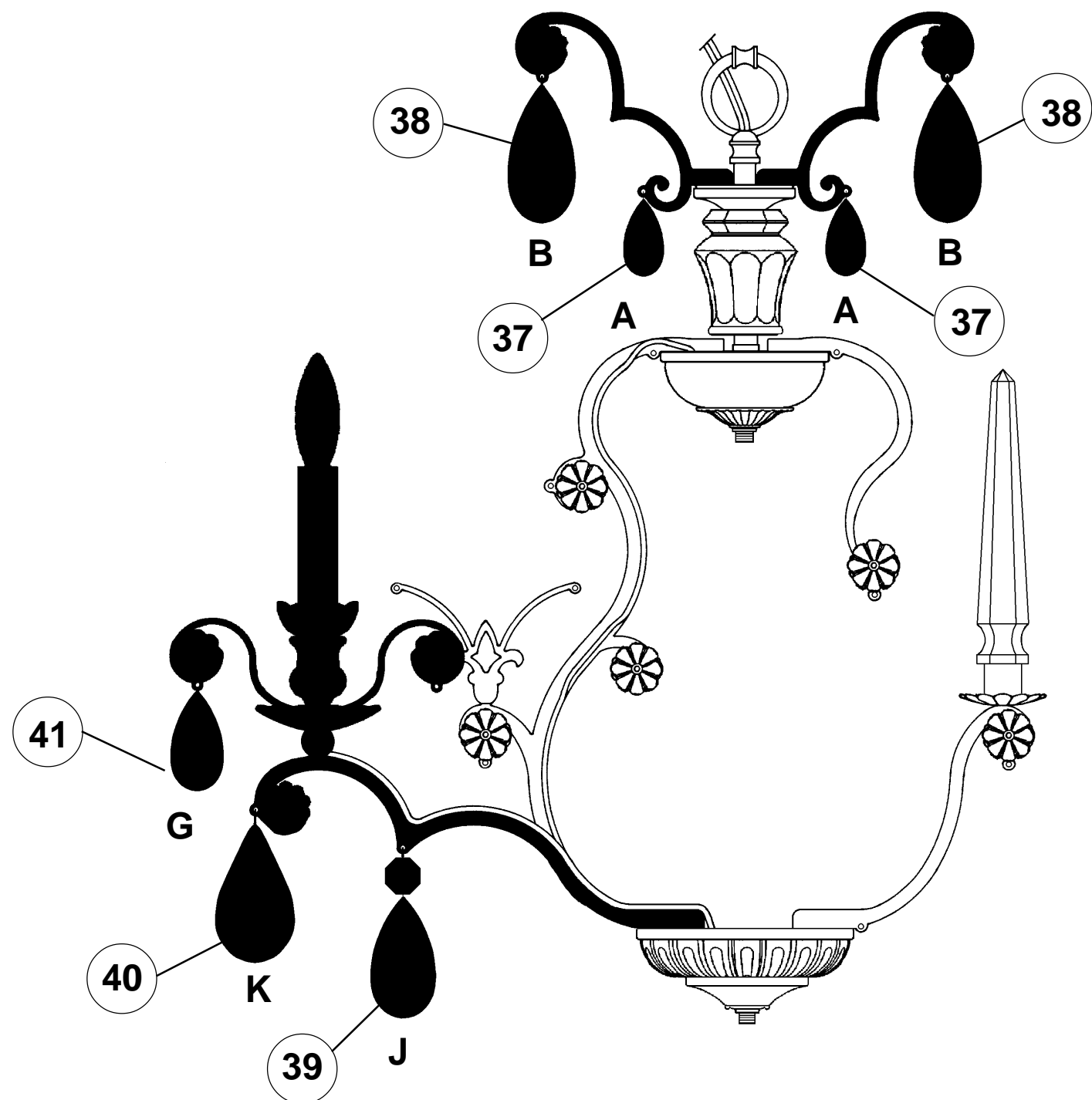
**WARNING:**



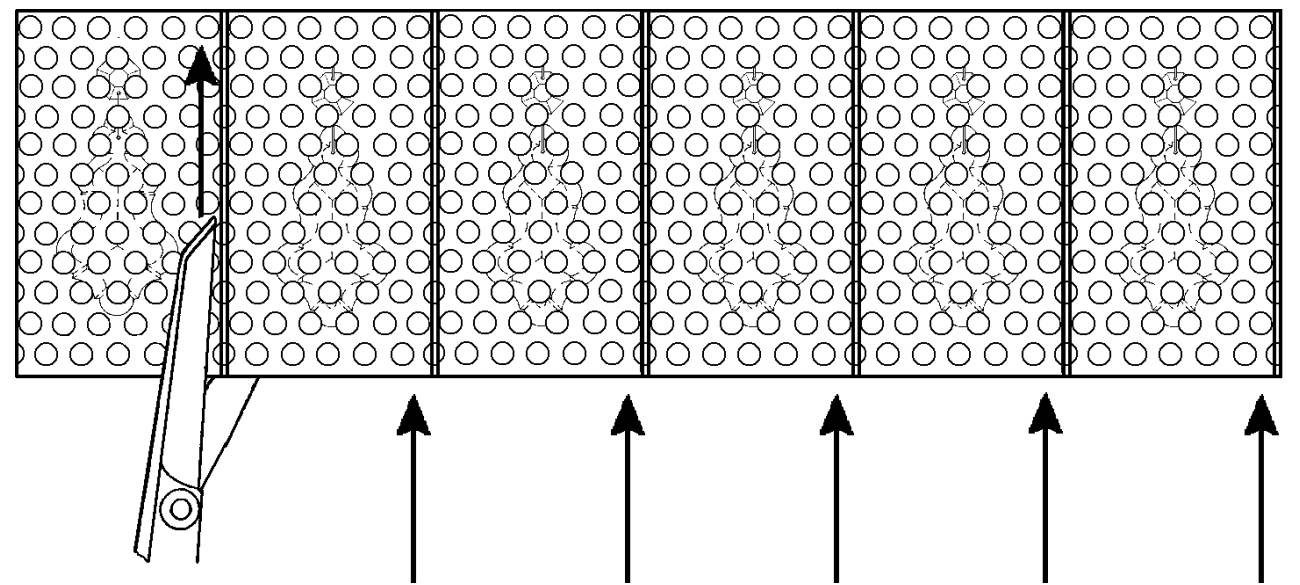
**2** **Electrical Danger** **Turn Power Off**

All electrical components must be installed by a licensed electrician in accordance with the National Electric Code and the appropriate local electrical codes.



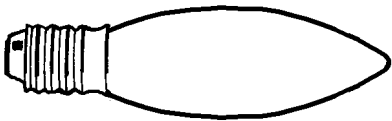


For easy removal of crystal from bubble pack, please cut along pouches on the inside of the seam. Gently remove crystal from the side of the pouch.

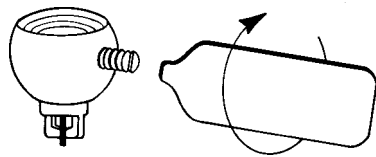


**NOTE:** Work on one crystal set at a time. Follow the black line from top to bottom according to the numbered steps on the trim diagram.

**Instructions for crystal trimming**  
**STEPS 22 - 41**



**23**  
 You will need 6 - C10  
 25 Watts Recommended  
 60 Watts Max



**26**  
 Tighten With  
 Tool Provided.

