



SCHONBEK®

MADISON 1596- __ __ H



THIS DESIGN IS THE PROPRIETARY TRADE DRESS/TRADemark OF SWAROVSKI LIGHTING, LTD.

12 Lights
Diameter: 30"
Body Length: 30"
Hanging Weight: 20 lbs.

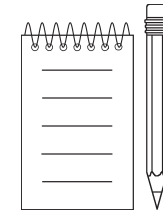
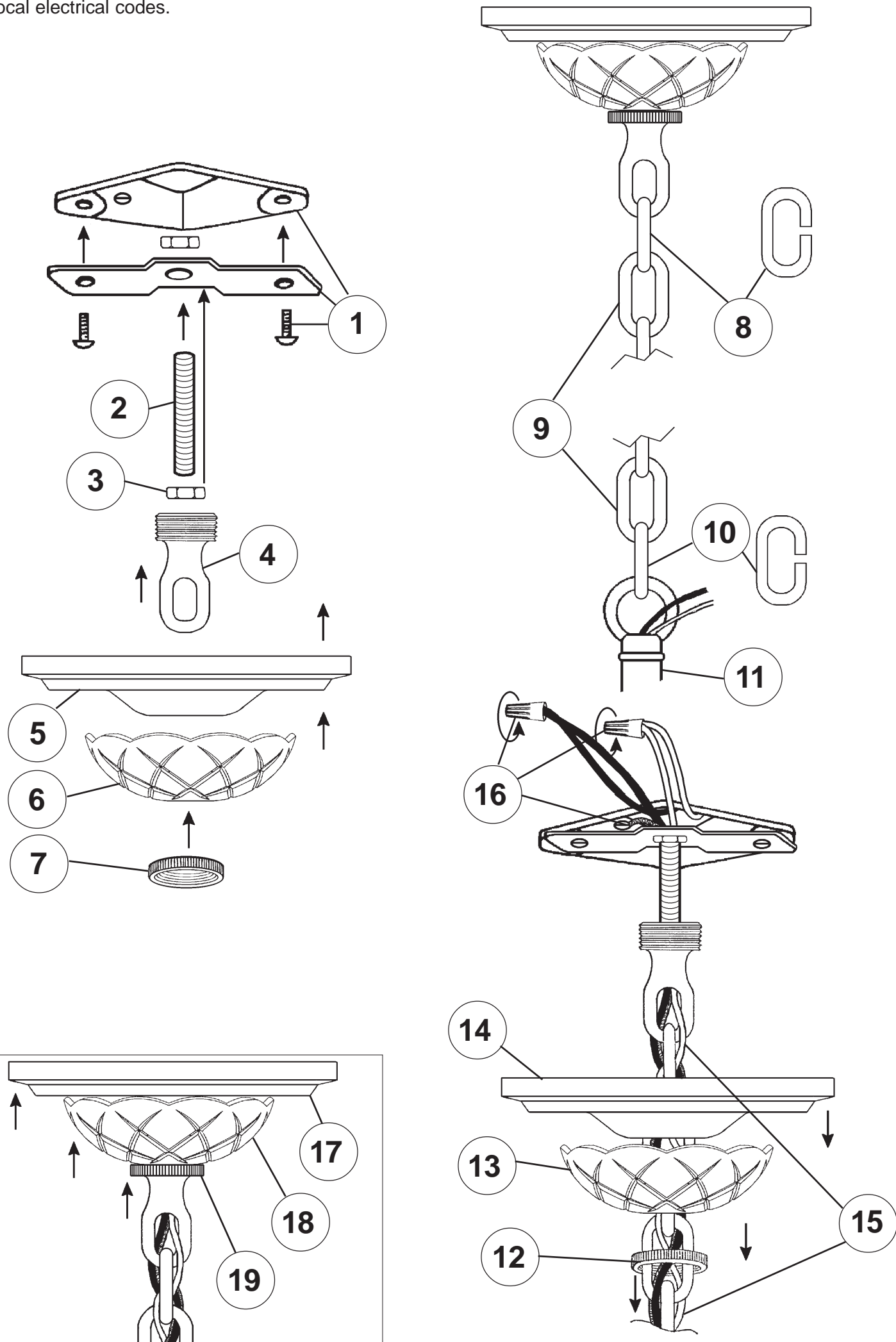


SCHONBEK®

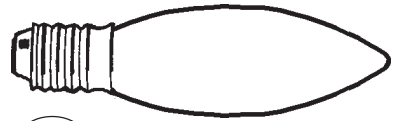
MAX 60 W		110-120 V						

SCHONBEK® is a member of the Swarovski group.

All electrical components must be installed by a licensed electrician in accordance with the National Electric Code and the appropriate local electrical codes.







20

You will need 12 - B10
25 Watts Recommended
60 Watts Max

Install bulb and be sure
to test fixture **BEFORE**
trimming.

9094/1 = gold pins
9094/1S = silver pins

NOTE: There will be
two connectors
going into each hole
on the ornament

