

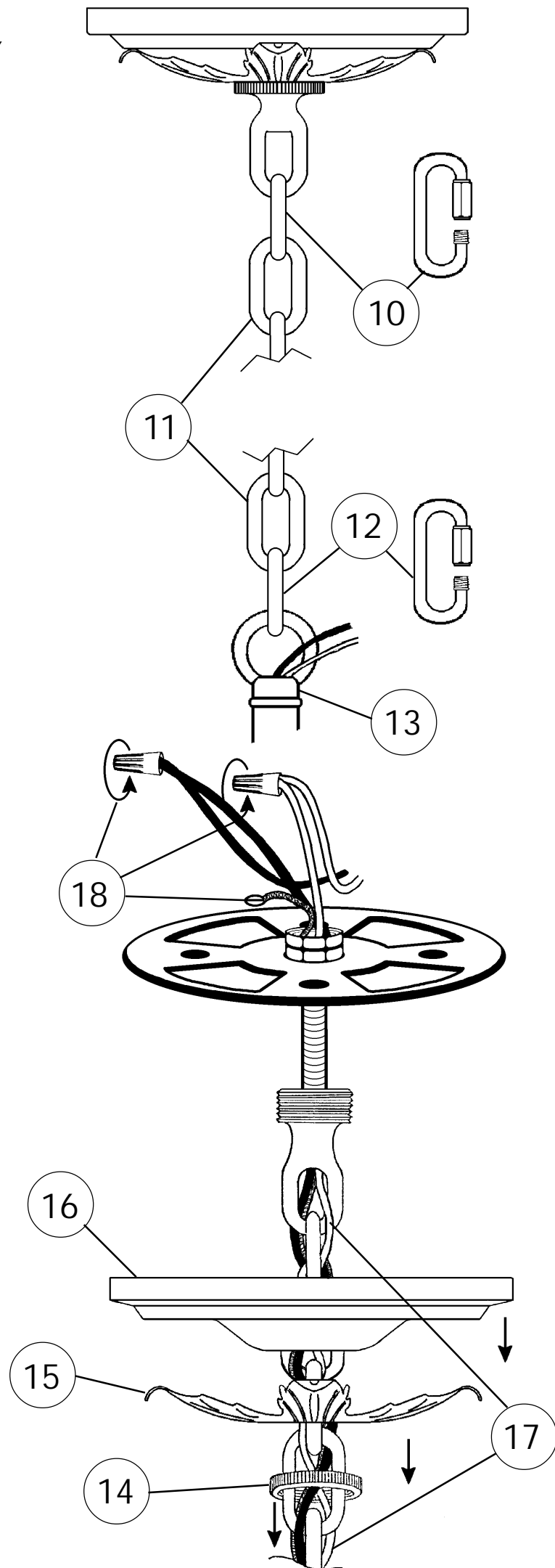
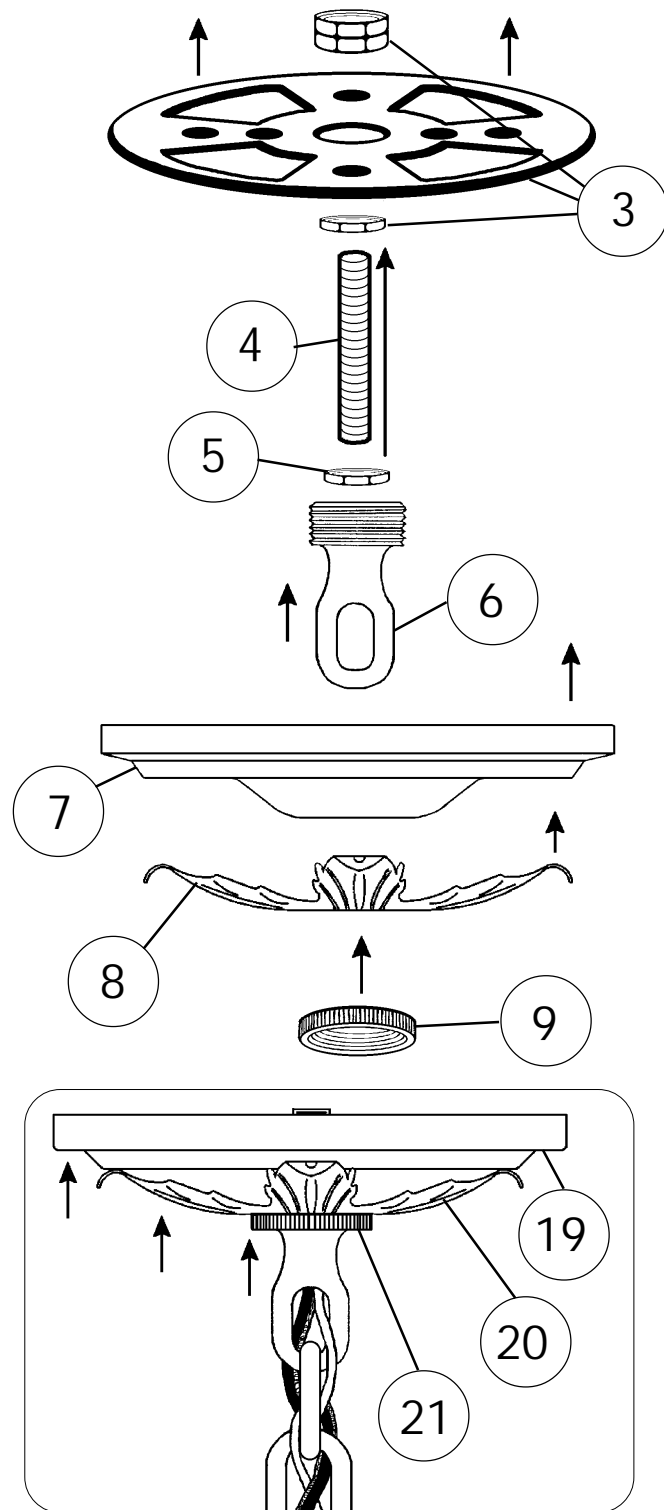
Instructions for electrician
STEPS 2 - 21

WARNING: THIS LUMINAIRE MUST BE MOUNTED OR SUPPORTED INDEPENDENTLY OF AN OUTLET BOX.

2 **WARNING:**

Electrical Danger Turn Power Off

All electrical components must be installed by a licensed electrician in accordance with the National Electric Code and the appropriate local electrical codes.



CHANDELIER 1275- _____ TRIM DIAGRAM

(Finish Option) (Trim Option)



25 Lights
Diameter: 34"
Body Length: 58"
Hanging Weight: 50 lbs.

THIS DESIGN IS THE PROPRIETARY TRADE DRESS/TRADEMARK OF SCHONBEK WORLDWIDE LIGHTING INC.

SCHONBEK®

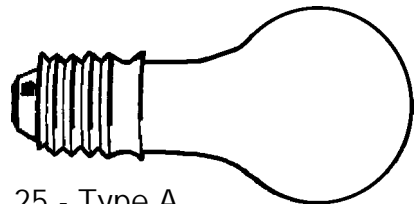
See diagram on back page
Follow steps in exact order
Save this trim diagram for future reference

1 **IMPORTANT**
Person who opens carton should record the following information for future service.
CODE # _____ Four-digit number on outside of carton.
PACKER # _____ See crystal package label.
ORDER # _____ See crystal package label.

SCHONBEK IS A WORLD LEADER IN CHANDELIER DESIGN. PATENTS INCLUDE:
#D504,191

Instructions for crystal trimming

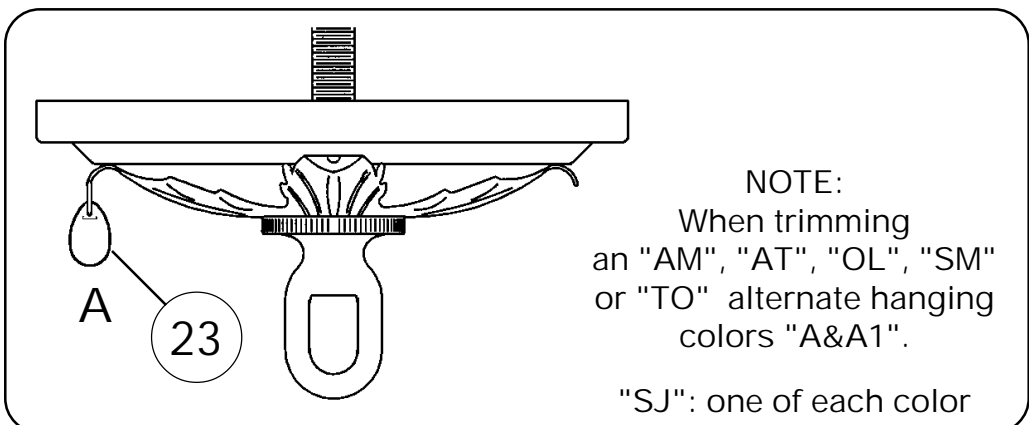
STEPS 22 - 37



25 - Type A
25 Watts Recommended (supplied)
60 Watts Max

22

Install bulbs and test fixture BEFORE trimming.



NOTE:
When trimming an "AM", "AT", "OL", "SM" or "TO" alternate hanging colors "A&A1".

"SJ": one of each color

NOTE:
Pinch connector shut to prevent crystal from falling off!

NOTE:
When trimming Soft Jewel Tones™ "SJ", for best appearance, alternate hanging trim so that similar colors are NOT next to each other.

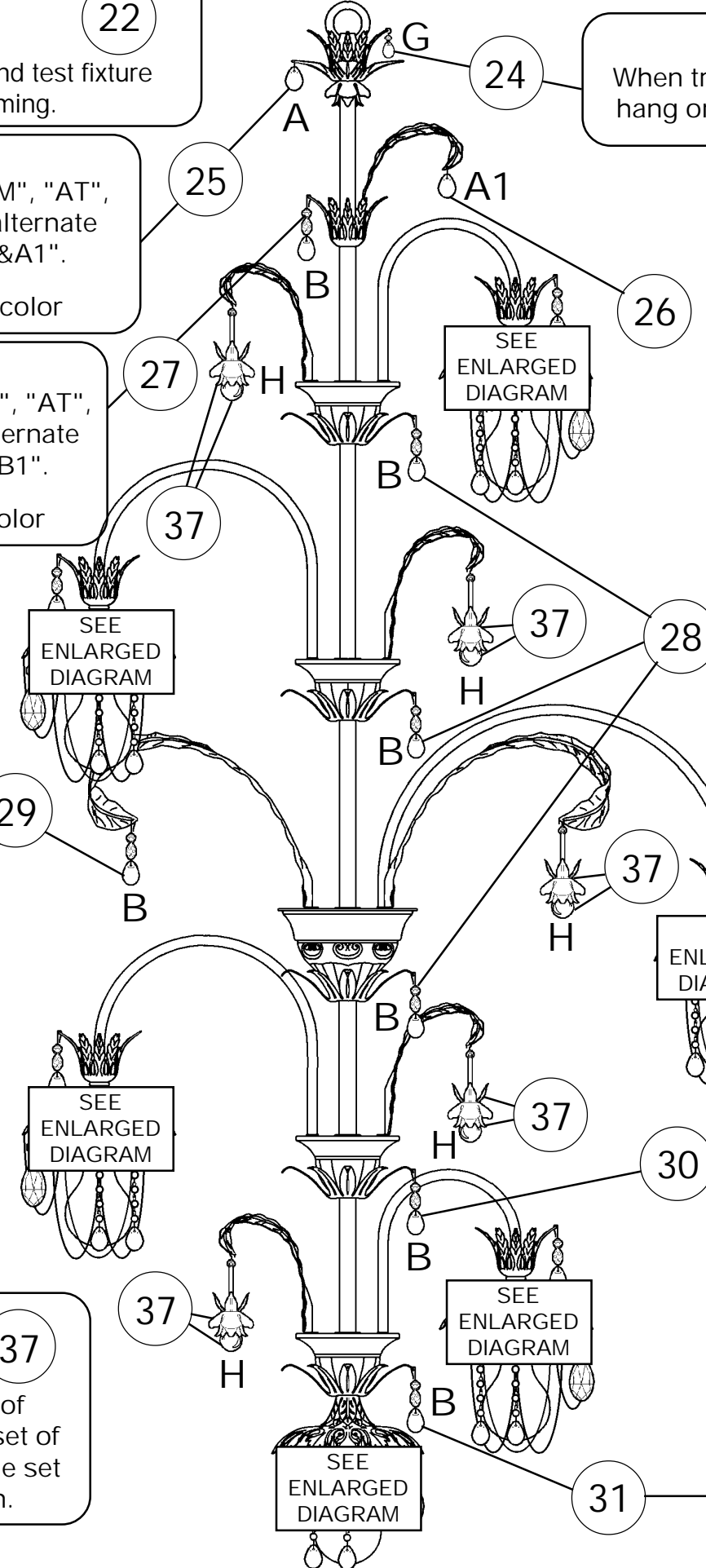
NOTE:
When trimming an "AM", "AT", "OL", "SM" or "TO" alternate hanging colors "A&A1".
"SJ": one of each color

NOTE:
When trimming an "AM", "AT", "OL", "SM" or "TO" alternate hanging colors "B&B1".
"SJ": one of each color

Alternate B & H
NOTE: "B" must hang over lower arm

NOTE:
When trimming an "AM", "AT", "OL", "SM" or "TO" alternate hanging colors "B&B1".
"SJ"- hang 4 colors: topaz, amethyst, olivine and rose.

NOTE:
Flower goes on top of drool "H", with single set of petals facing up, double set of petals face down.



NOTE:
When trimming an "SJ": hang one of each color.

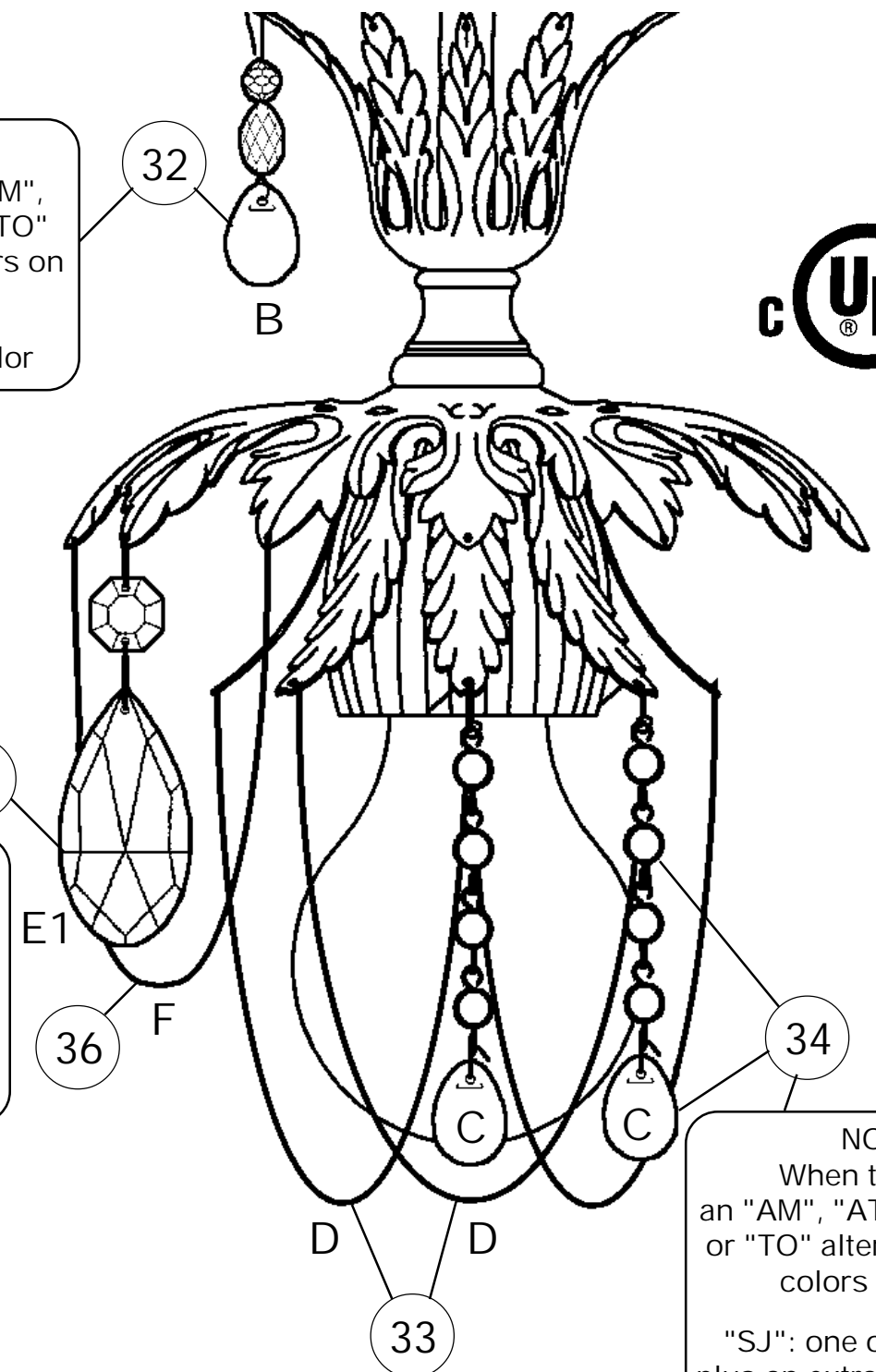
NOTE:
When trimming an "AM", "AT", "OL", "SM" or "TO" alternate hanging colors on "B and B1".
"SJ": one of each color

NOTE:
When trimming an "AM", "AT", "OL", "SM" or "TO" alternate hanging colors "B&B1".
"SJ": one of each color plus an extra amethyst and olivine drop.

35 & 36
NOTE:
Alternate hanging Letters "E1" and "F" from every other top leaf!

NOTE:
When trimming an "AM", "AT", "OL", "SM" or "TO" alternate hanging colors "B&B1".
"SJ": one of each color plus an extra amethyst and olivine drop per tier.

NOTE:
When trimming an "AM", "AT", "OL", "SM" or "TO" alternate hanging colors "B&B1".
"SJ": one of each color plus an extra amethyst and olivine drop.



NOTE:
When trimming an "AM", "AT", "OL", "SM" or "TO" alternate hanging colors "C&C1".
"SJ": one of each color plus an extra amethyst and olivine drop per tier.

