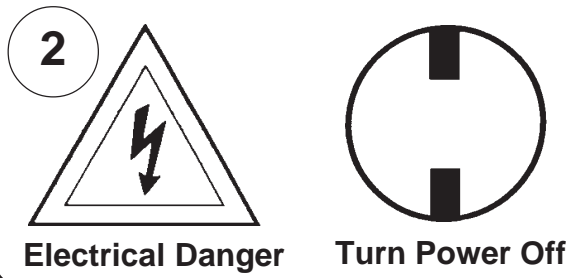
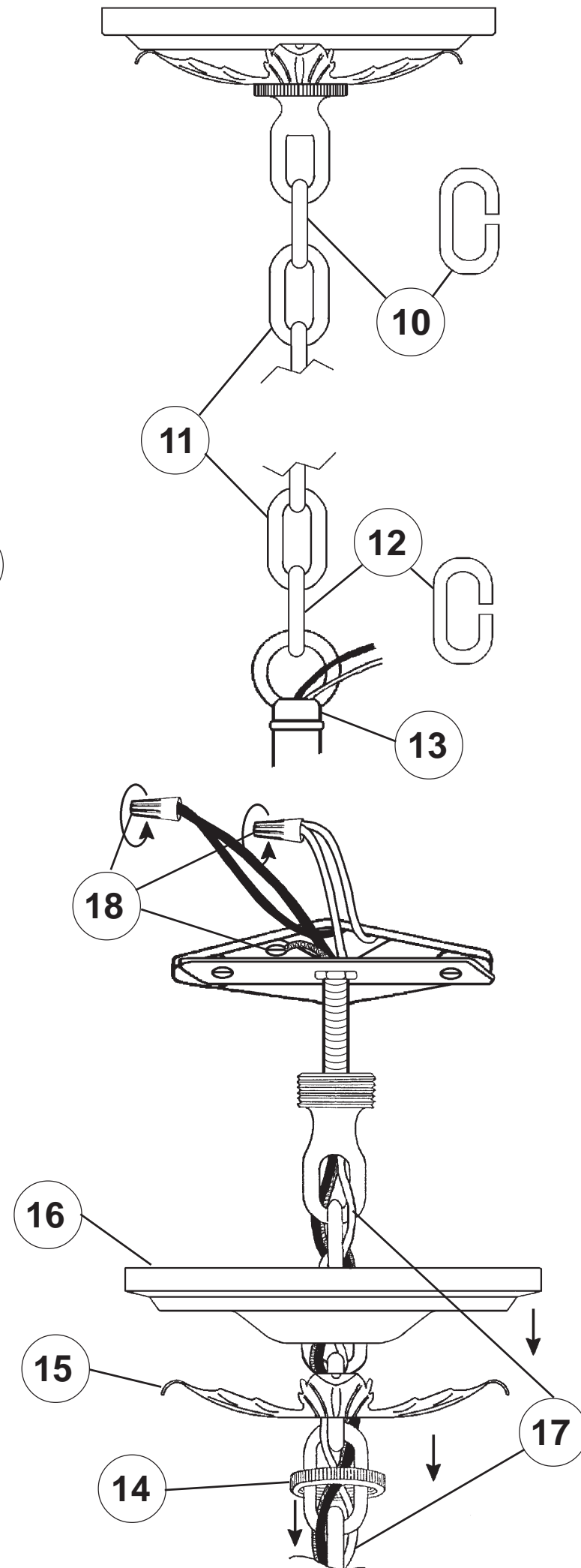
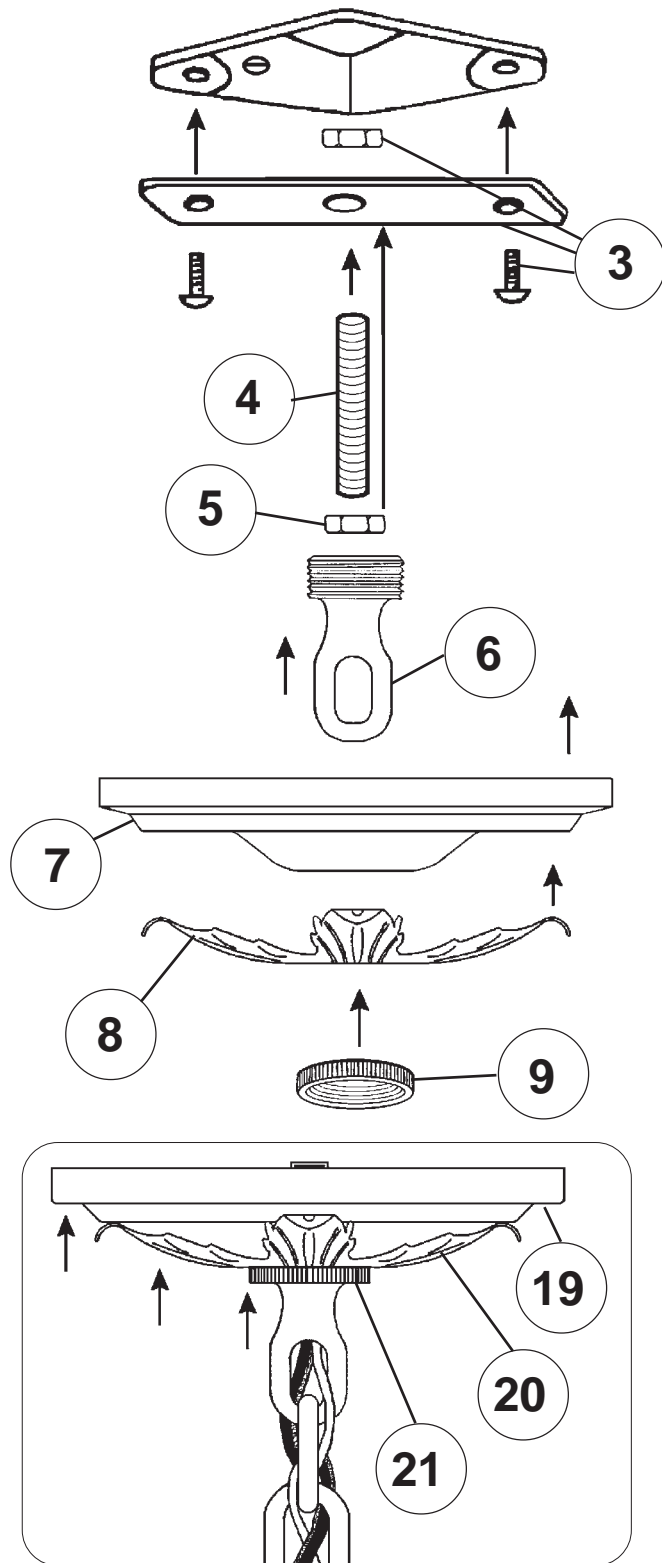


Instructions for electrician
STEPS 2 - 21

WARNING:

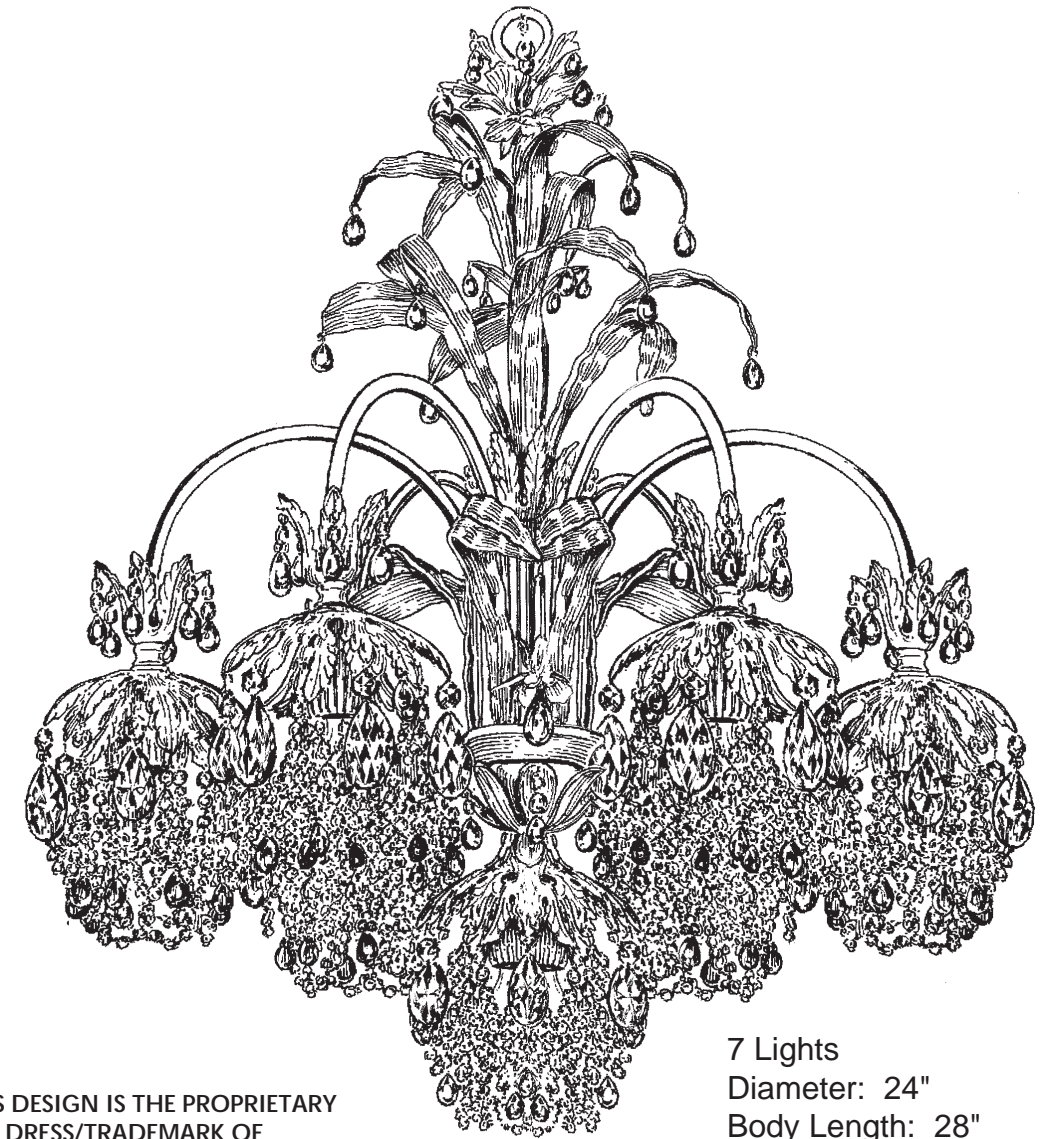


All electrical components must be installed by a licensed electrician in accordance with the National Electric Code and the appropriate local electrical codes.



CHANDELIER 1267- _____ TRIM DIAGRAM

(Finish Option) (Trim Option)



7 Lights
Diameter: 24"
Body Length: 28"
Hanging Weight: 15 lbs.

THIS DESIGN IS THE PROPRIETARY TRADE DRESS/TRADEMARK OF SCHONBEK WORLDWIDE LIGHTING INC.

SCHONBEK®

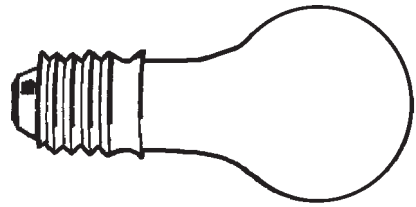
See diagram on back page
Follow steps in exact order
Save this trim diagram for future reference

IMPORTANT
1 Person who opens carton should record the following information for future service.
CODE # _____ Four-digit number on outside of carton.
PACKER # _____ See crystal package label.
ORDER # _____ See crystal package label.

SCHONBEK IS A WORLD LEADER IN CHANDELIER DESIGN. PATENTS INCLUDE: #D504,191

Instructions for crystal trimming

STEPS 22 - 36



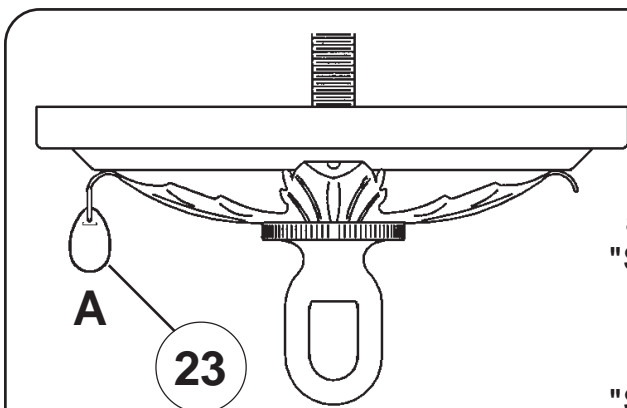
7 - Type A
25 Watts Recommended (supplied)
60 Watts Max

Install bulbs and test fixture
BEFORE trimming.

22

NOTE:
When trimming an "AM", "AT", "OL", "SM" or "TO" alternate hanging colors "A & A1".

"SJ": one of each color

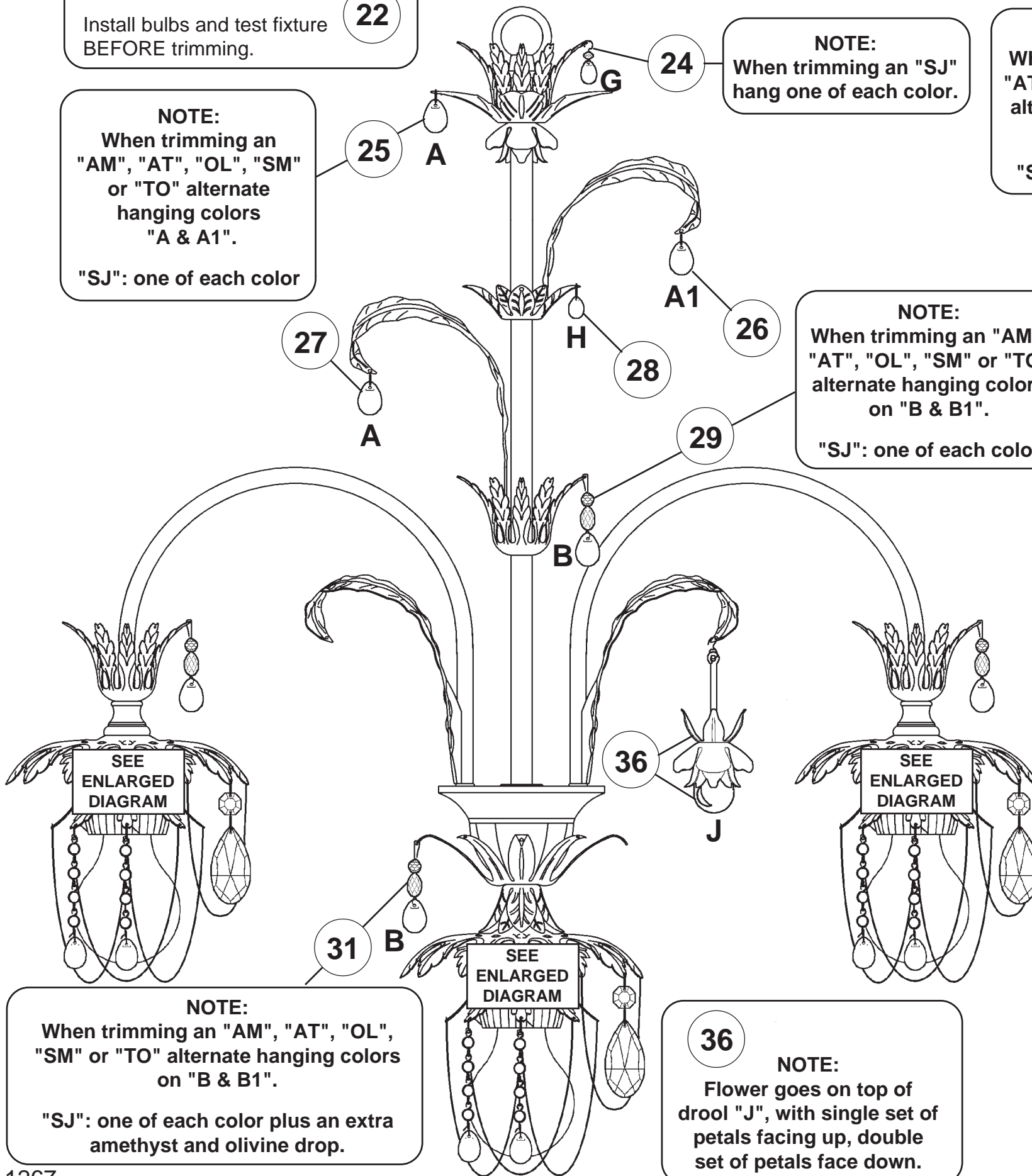


NOTE:
When trimming an "AM", "AT", "OL", "SM" or "TO" alternate hanging colors "A & A1".

"SJ": one of each color

NOTE:
Pinch connector shut to prevent crystal from falling off!

NOTE:
When trimming Soft Jewel Tones™ "SJ", for best appearance, alternate hanging trim so that similar colors are NOT next to each other.



NOTE:
When trimming an "SJ" hang one of each color.

NOTE:
When trimming an "AM", "AT", "OL", "SM" or "TO" alternate hanging colors on "B & B1".

"SJ": one of each color

NOTE:
When trimming an "AM", "AT", "OL", "SM" or "TO" alternate hanging colors on "B & B1".

"SJ": one of each color

34 & 35

NOTE:
Alternate hanging Letters "E1" & "F" from every other top leaf!

NOTE:
When trimming "SJ" hang two of each color.

NOTE:
When trimming an "AM", "AT", "OL", "SM" or "TO" alternate hanging colors "C&C1".

"SJ": one of each color plus an extra amethyst and olivine drop.

NOTE:
When trimming an "AM", "AT", "OL", "SM" or "TO" alternate hanging colors on "B & B1".

"SJ": one of each color plus an extra amethyst and olivine drop.

36

NOTE:
Flower goes on top of drool "J", with single set of petals facing up, double set of petals face down.

32

NOTE:
When installing Chains "D" hook one end of the chain into the hole of the bottom leaf, skip one leaf and hook the other end of the chain into the next bottom leaf. Repeat for all leaves. See illustration.

