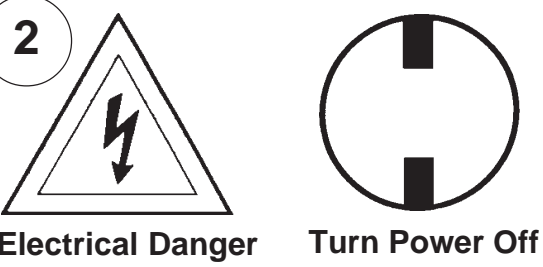
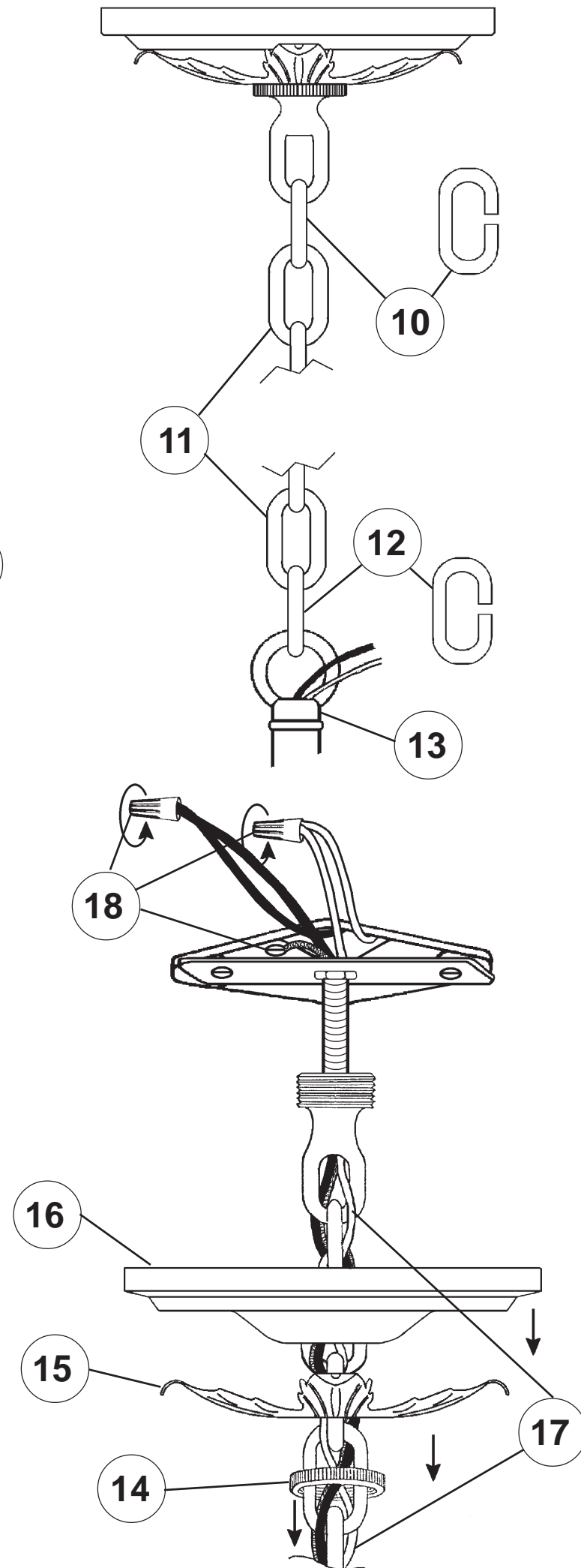
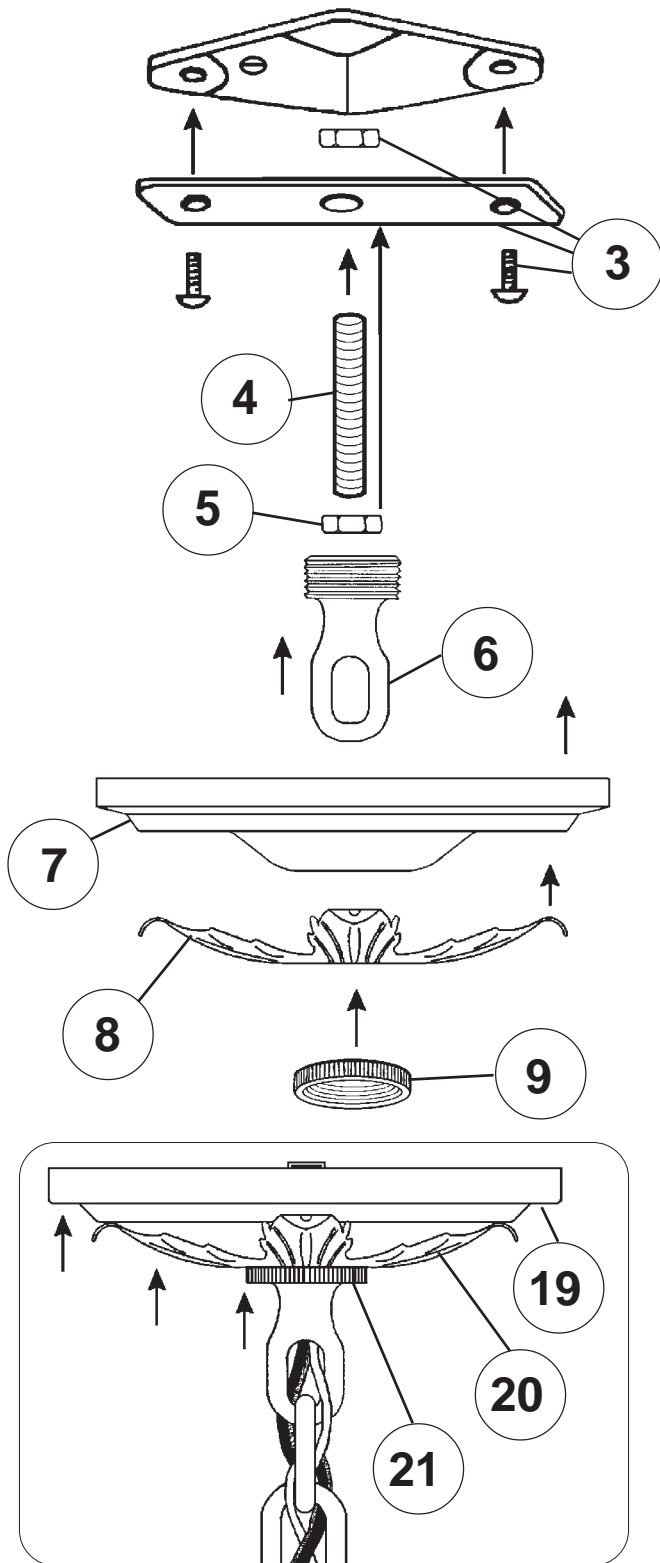


Instructions for electrician
STEPS 2 - 21

WARNING:



All electrical components must be installed by a licensed electrician in accordance with the National Electric Code and the appropriate local electrical codes.



CHANDELIER 1264- _____ TRIM DIAGRAM

(Finish Option) (Trim Option)



4 Lights
Diameter: 18"
Body Length: 22"
Hanging Weight: 8 lbs.

THIS DESIGN IS THE PROPRIETARY TRADE DRESS/TRADEMARK OF SCHONBEK WORLDWIDE LIGHTING INC.

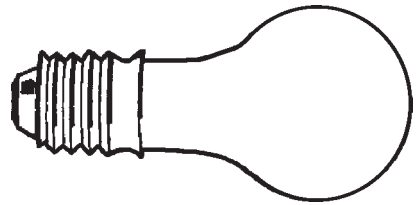
SCHONBEK®

See diagram on back page
Follow steps in exact order
Save this trim diagram for future reference

1 **IMPORTANT**
Person who opens carton should record the following information for future service.
CODE # _____ Four-digit number on outside of carton.
PACKER # _____ See crystal package label.
ORDER # _____ See crystal package label.

SCHONBEK IS A WORLD LEADER IN CHANDELIER DESIGN. PATENTS INCLUDE: #D504,191

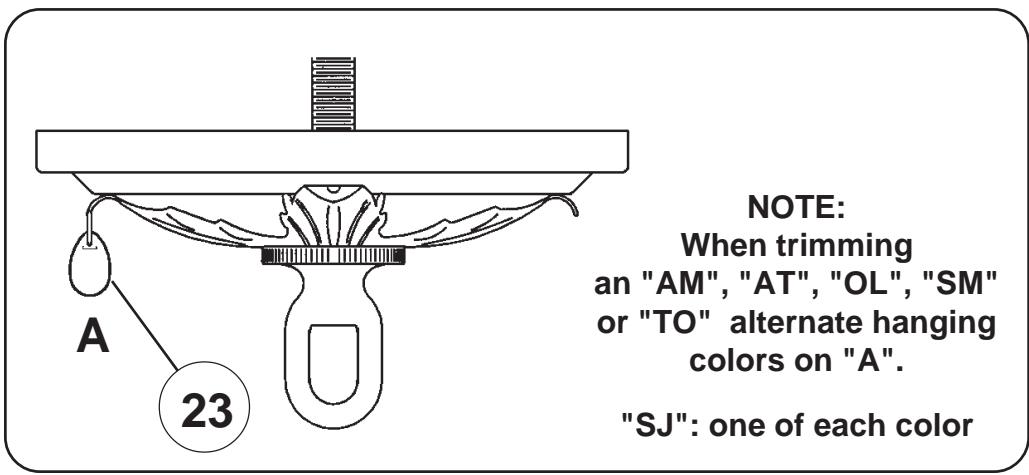
Instructions for crystal trimming
STEPS 22 - 34



4 - Type A
25 Watts Recommended (supplied)
60 Watts Max

Install bulbs and test fixture
BEFORE trimming.

22



NOTE:
When trimming
an "AM", "AT", "OL", "SM"
or "TO" alternate hanging
colors on "A".

"SJ": one of each color

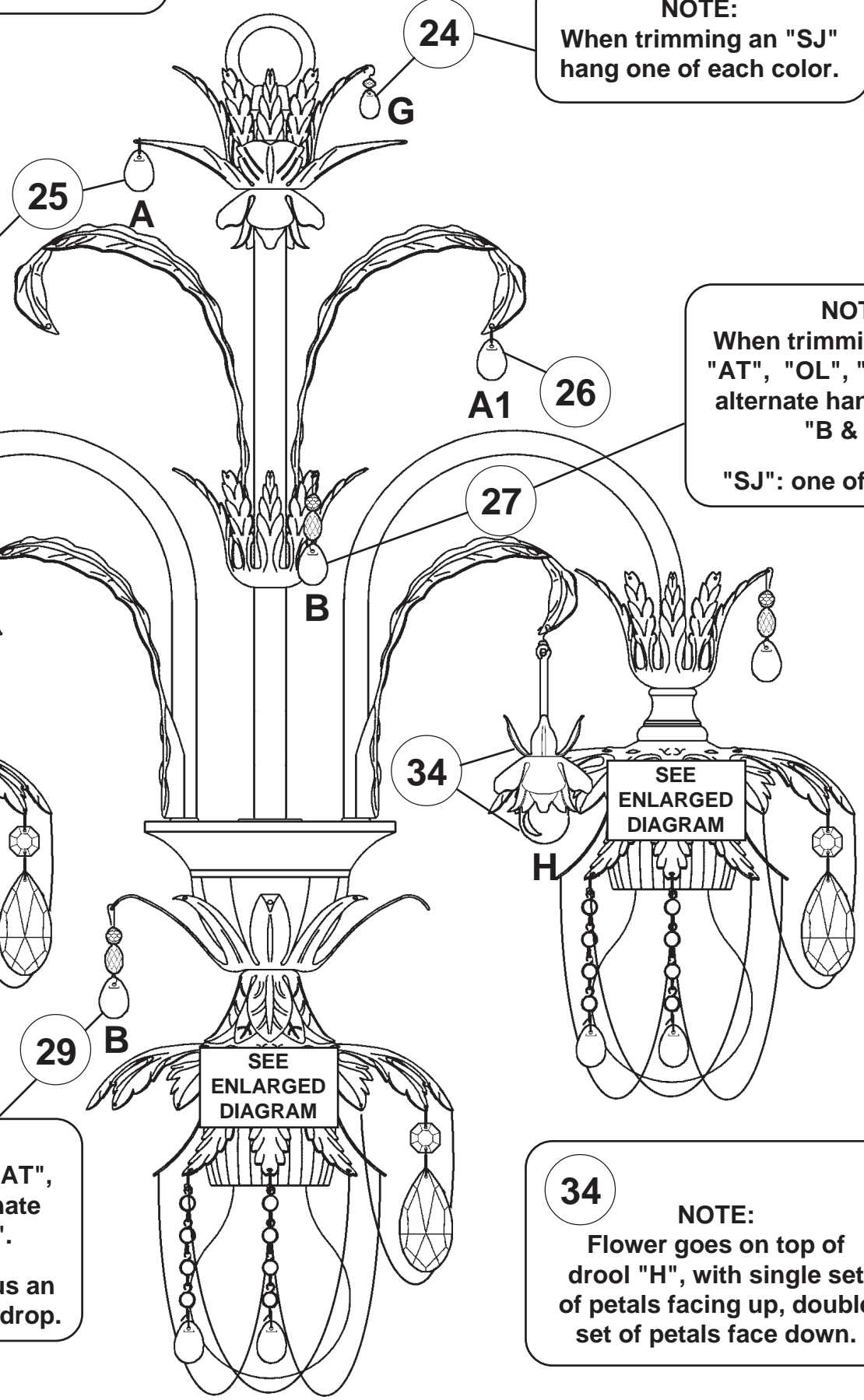
23

NOTE:
Pinch connector
shut to prevent
crystal from
falling off!

NOTE:
When trimming
Soft Jewel Tones™ "SJ", for best
appearance, alternate hanging trim
so that similar colors are NOT next
to each other.

NOTE:
When trimming an "AM",
"AT", "OL", "SM" or
"TO" alternate hanging
colors "A".

"SJ": one of each color



NOTE:
When trimming an "SJ"
hang one of each color.

NOTE:
When trimming an "AM",
"AT", "OL", "SM" or "TO"
alternate hanging colors
on "B and B1".

"SJ": one of each color

NOTE:
When trimming an "AM",
"AT", "OL", "SM" or "TO"
alternate hanging colors
"B & B1".

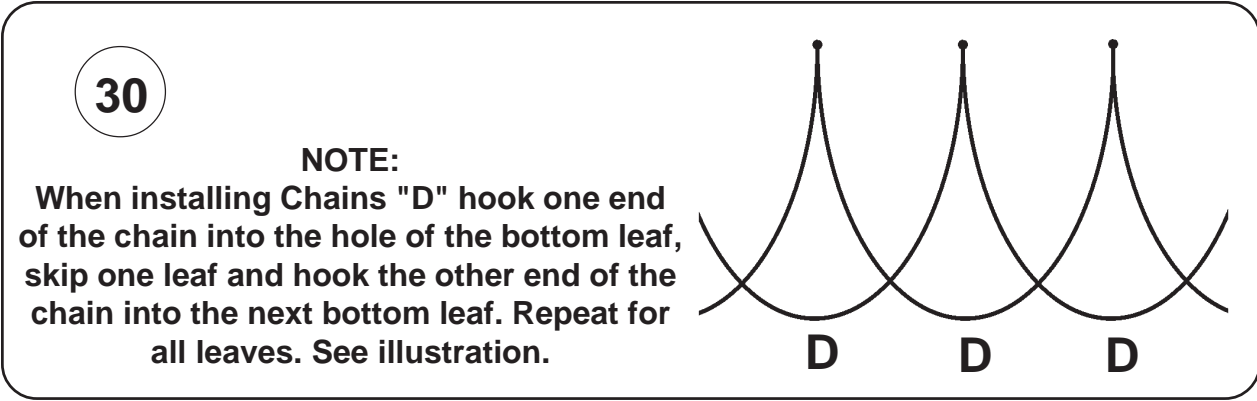
"SJ": one of each color

32 & 33
NOTE:
Alternate hanging
Letters "E1" and
"F" from every
other top leaf!

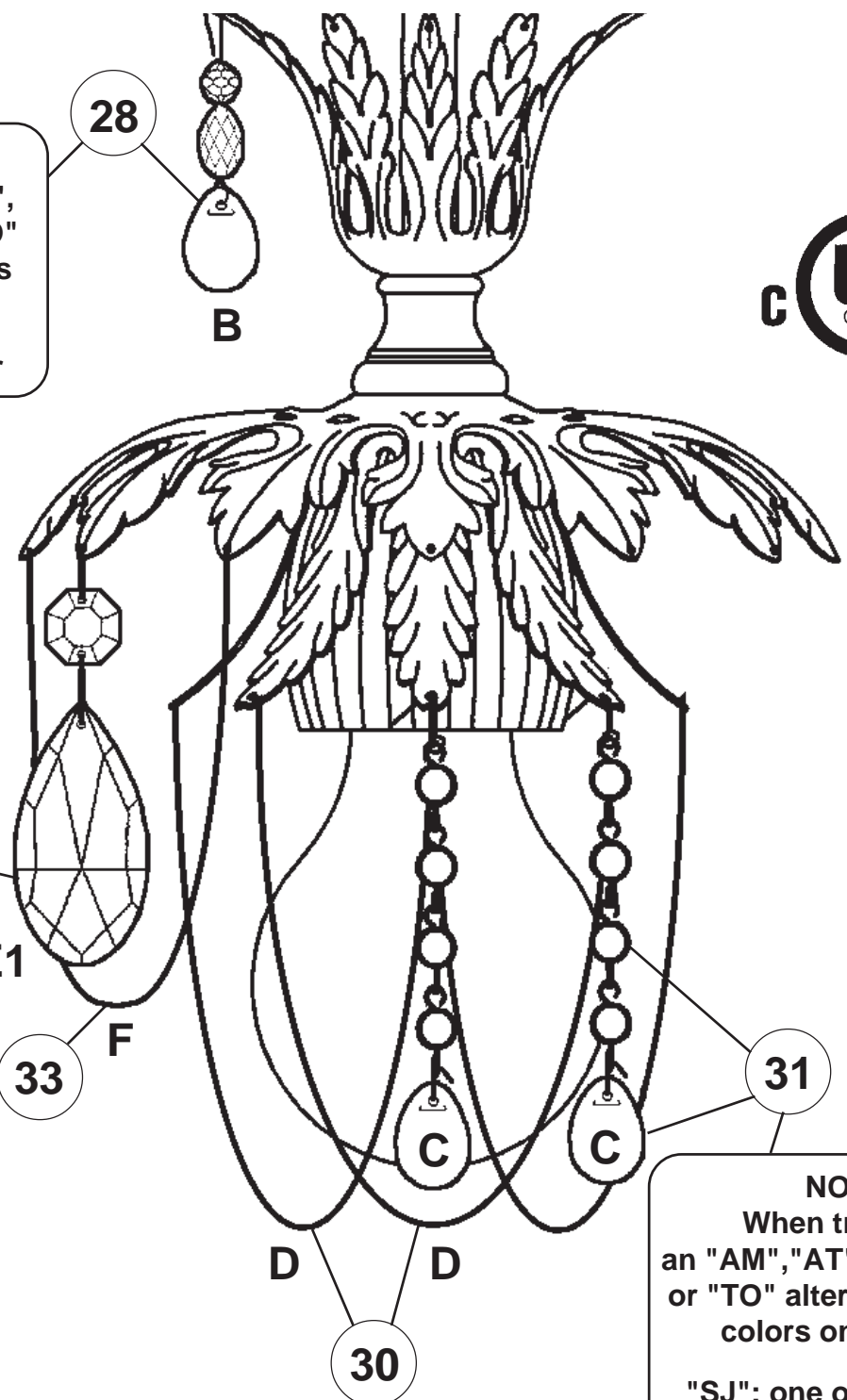
NOTE:
When trimming an "AM", "AT",
"OL", "SM" or "TO" alternate
hanging colors "B&B1".

"SJ": one of each color plus an
extra amethyst and olivine drop.

34
NOTE:
Flower goes on top of
drool "H", with single set
of petals facing up, double
set of petals face down.



30
NOTE:
When installing Chains "D" hook one end
of the chain into the hole of the bottom leaf,
skip one leaf and hook the other end of the
chain into the next bottom leaf. Repeat for
all leaves. See illustration.



NOTE:
When trimming
an "AM", "AT", "OL", "SM"
or "TO" alternate hanging
colors on "C&C1".

"SJ": one of each color
plus an extra amethyst
and olivine drop.

