



**SCHONBEK®**

**BAGATELLE 1246- \_ \_ \_ \_**



**T**HIS DESIGN IS THE PROPRIETARY TRADE DRESS/TRADemark OF SWAROVSKI LIGHTING, LTD.

6 + 1 Lights  
Diameter: 21"  
Body Length: 22-1/2"  
Hanging Weight: 13 lbs.

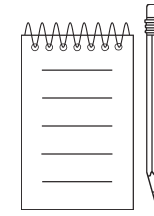
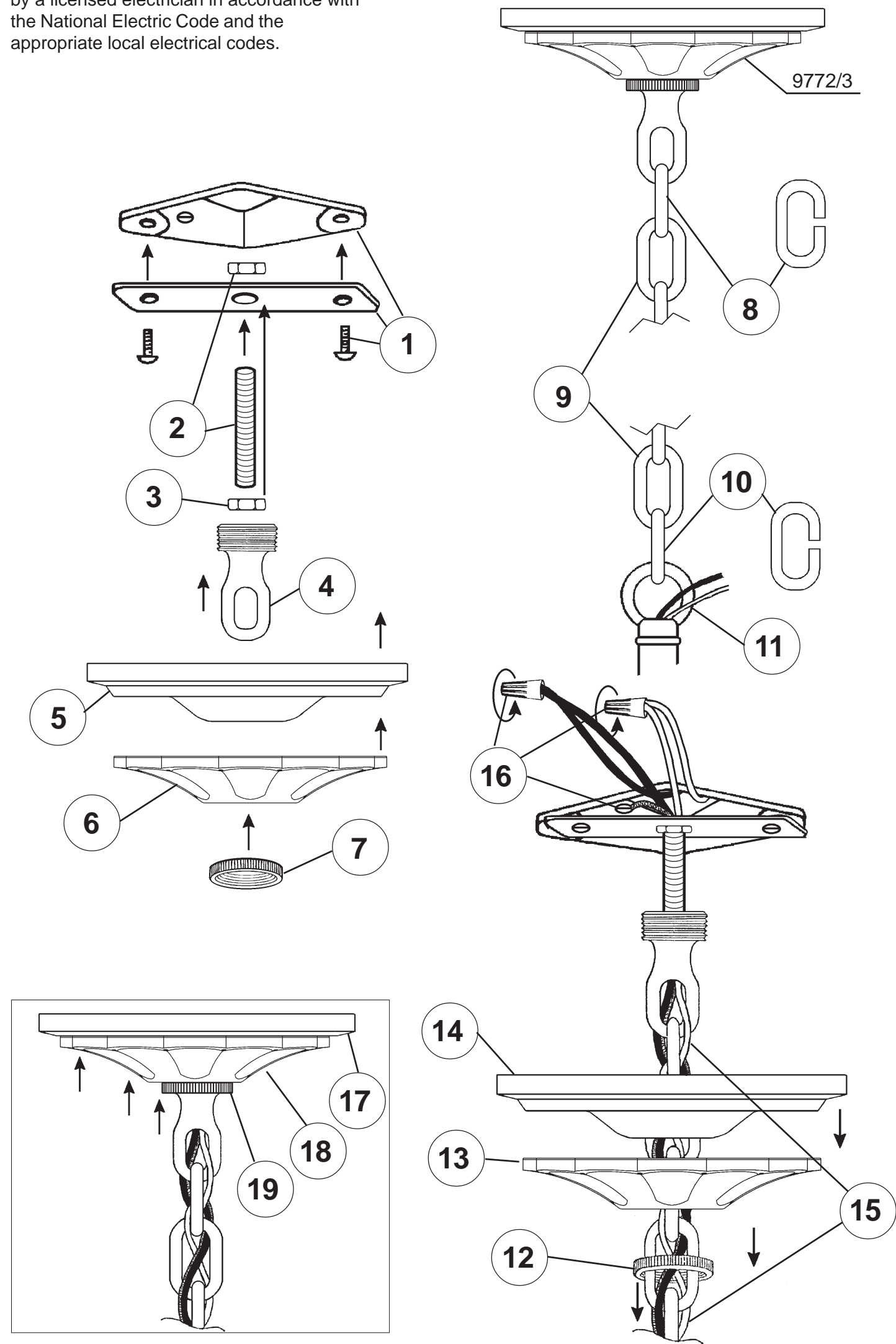


**SCHONBEK®**

MAX 60 W		110-120 V						

SCHONBEK® is a member of the Swarovski group.

All electrical components must be installed by a licensed electrician in accordance with the National Electric Code and the appropriate local electrical codes.

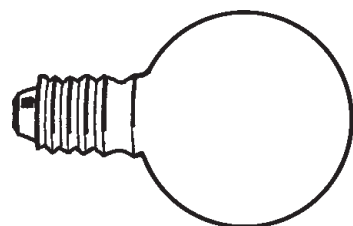






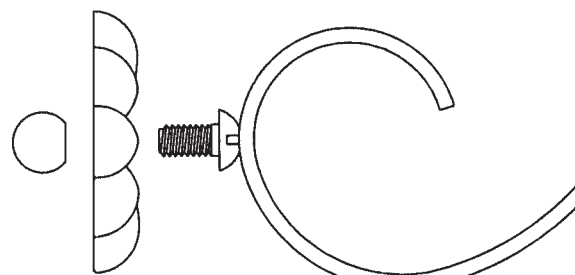
20

You will need 6 - B10  
25 Watts Recommended  
60 Watts Max



You will need 1 - G16-1/2  
25 Watts Recommended  
60 Watts Max

Install bulbs and be sure  
to test fixture BEFORE  
trimming.



21

Slide rosettes with flat side  
facing towards you onto the  
screws and secure with balls  
provided.

NOTE:  
Place smaller  
rosettes on  
these scrolls  
only.

Chain "F" swags from  
side loop on Drop "D"  
to the next side hole on  
the arm rosette.

