

ASSEMBLING & INSTALLATION INSTRUCTIONS PRODUCT# JEFFERSON SERIES FOR CEILING MOUNT FIXTURE

WARNING! SHUT POWER OFF AT FUSE OR CIRCUIT BREAKER .

MOUNTING THE FIXTURE (Fig.1)

1. Shut off the power at the circuit breaker box. Remove old fixture and all hardware from Junction Box.
2. Carefully unpack your new fixture and lay out all the parts on a clear area. Take care not to lose any small parts necessary for installation.
3. Thread the two mounting screws about 1/4" into the pre-drilled holes in the single bar spaced the same distance apart as the holes in the fixture canopy (A).
4. Install the single bar to the Junction Box with the two Junction Box Screws as shown. The side of the single bar marked "GND" must face out.
5. While holding the column assembly towards the ceiling, connect the electrical wires as Shown in Fig.2, making sure that all wire nuts are secured. You may have to wrap the connections with electrical tape. If your outlet has a ground wire (green or bare copper), connect the fixture ground wire to it. Otherwise connect fixture's ground wire directly to the Mounting strap with the green screw provided. After wires are connected, tuck them carefully inside the Junction Box.
6. Attach the pipe nipple(C) to top coupling of the lamp holder(F) and lock it until tight. Attach the canopy(A) onto the pipe nipple(C) and lock it until tight.
7. Place the candle sleeve (E) onto the lamp holder(F).
8. Install the light bulbs in accordance with the fixture specifications **NOTE: DO NOT EXCEED THE SPECIFIED WATTAGE!**
9. Attach the bell glass(H) insert to the big ring(G). While holding the big ring(G) and canopy(A), hooked by the hook at both of the pipe(D).
10. Attach the canopy(A) to the Junction box, aligning screws on single bar with mounting holes in canopy and lock it securely with ball nut (B).

Your installation is now complete Return power to the junction box and test the fixture.

Fig.1

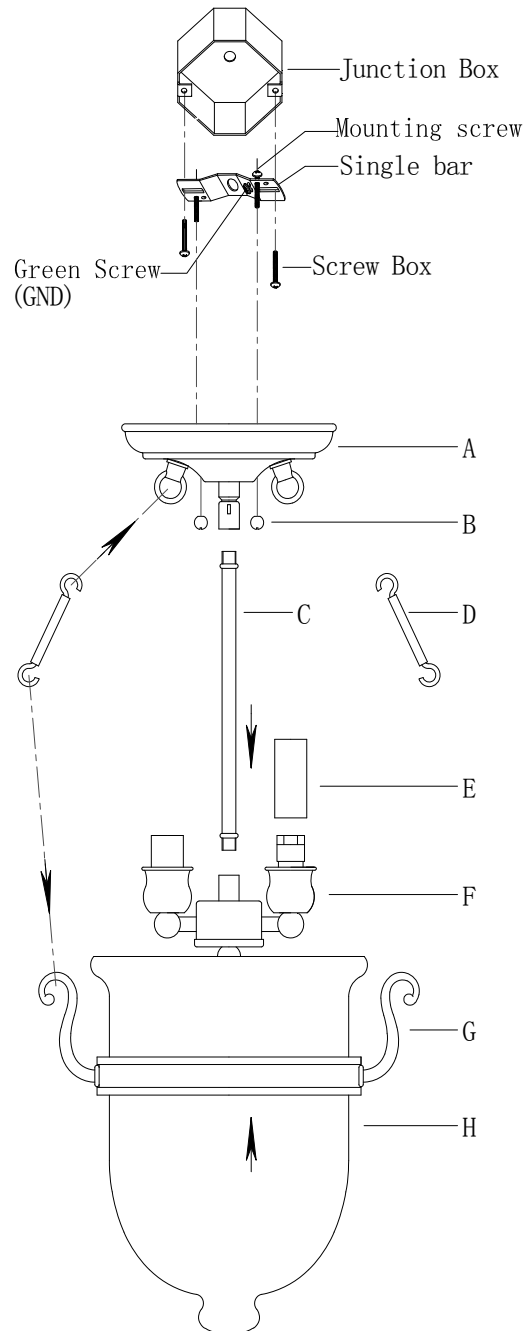


Fig.2

