

**ASSEMBLING & INSTALLATION INSTRUCTIONS PRODUCT#4272,4273,4274,4275
AND 5624,5625,5626,5627 For Ceiling Mount Fixtures**

WARNING! SHUT POWER OFF AT FUSE OR CIRCUIT BREAKER .

MOUNTING THE FIXTURE (Fig.1)

1. Shut off the power at the circuit breaker box. Remove old fixture and all hardware from Junction Box.
2. Carefully unpack your new fixture and lay out all the parts on a clear area. Take care not to lose any small parts necessary for installation.
3. Thread the two Studs about 1/4" into the pre-drilled holes in the mounting plate spaced the same distance apart as the holes in the canopy (A).
4. Attach the mounting plate to the Junction Box with the two Junction Box Screws as shown. The side of the mounting plate marked "GND" must face out.
5. While holding the column assembly towards the ceiling, connect the electrical wires as Shown in Fig.2, making sure that all wire nuts are secured. You may have to wrap the connections with electrical tape. If your outlet has a ground wire (green or bare copper), connect the fixture ground wire to it. Otherwise connect fixture's ground wire directly to the Mounting strap with the green screw provided. After wires are connected, tuck them carefully inside the Junction Box.
6. Put the canopy (A) onto the junction box, aligning screws on mounting plate with mounting holes in canopy and lock it securely with the ball nuts(B).
7. Hook the end of pipe(C) to the loop (E) and the glass(D).
8. Install the light bulbs in accordance with the fixture's specifications. **NOTE: DO NOT EXCEED THE SPECIFIED WATTAGE.**

Your installation is now complete. Return power to the junction box and test the fixture.

Fig.1

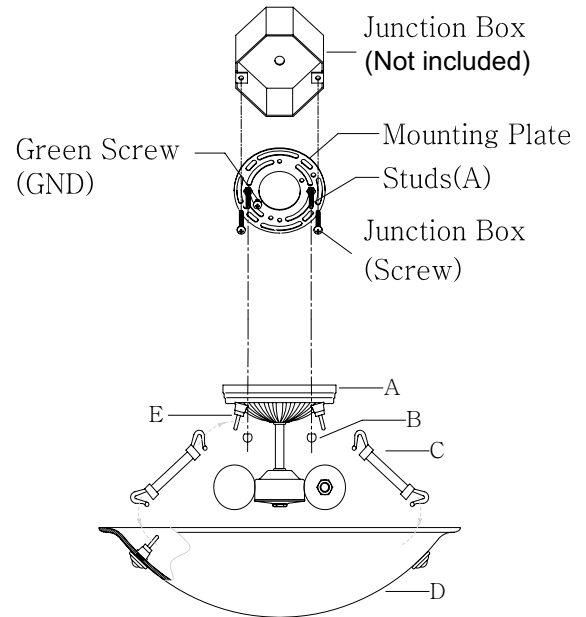
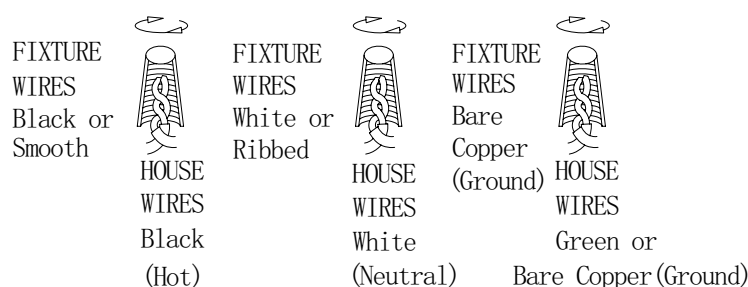


Fig.2



MIN 90°C SUPPLY CONDUCTORS