

**ASSEMBLING & INSTALLATION INSTRUCTIONS PRODUCT# 1281 1282 1283 1284 1285  
1191 1192 1193 1194 1195 For Wall Mount Fixture**

**WARNING! SHUT POWER OFF AT FUSE OR CIRCUIT BREAKER .**

**MOUNTING THE FIXTURE**

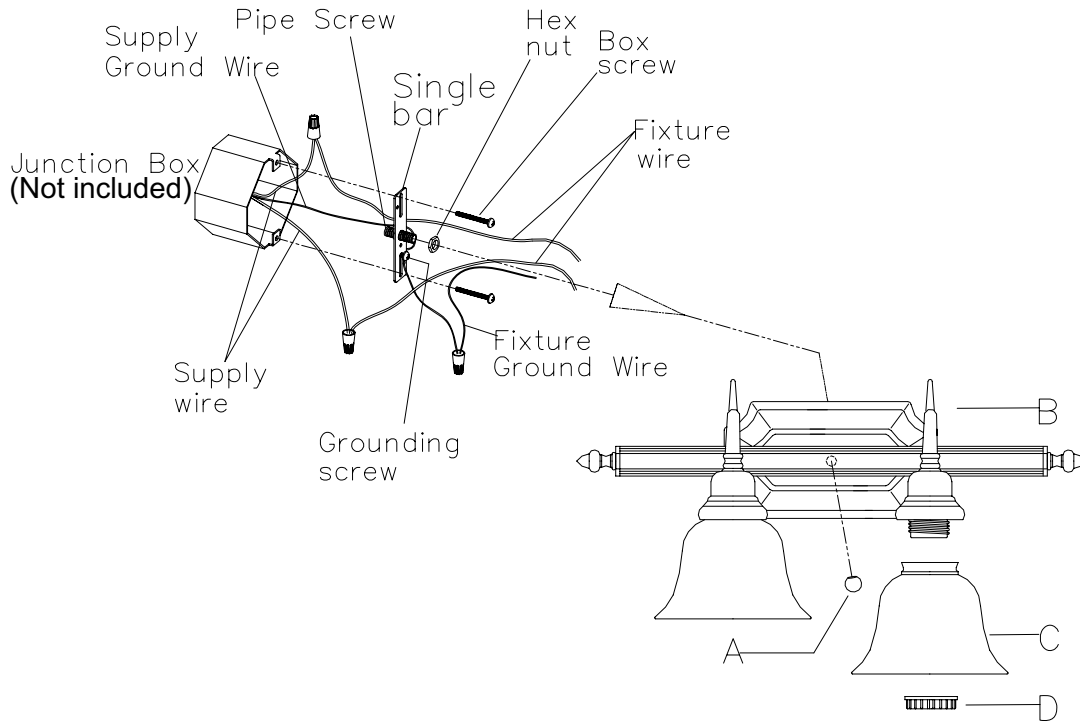
**Installation (see fig.1)**

1. Shut off the power at the circuit breaker and remove old fixture, including the single bar.
2. Thread the pipe screw part way into the center hole of the single bar and secure with hex nut.
3. Attach the single bar to the junction box using two box screws. The side of the single bar marked "GND" must face out.
4. Follow wiring instructions carefully (see fig.2)
5. Place the lamp body(B) over the nipple then tighten it with the ball nut (A).
6. Raise the glass shade(C) to bottom of the lamp holder, and using the ring(D) by turning it clockwise until tight.
7. Install the light bulbs in accordance with the fixture's specifications. **DO NOT EXCEED THE MAXIMUM WATTAGE RATING!**

**Wiring (see fig.2)**

1. Connect the electrical wires as follows. Connect the black wire from the fixture to the black house (hot) Wire. Connect the white wire from the fixture to the white (neutral) house wire. Make sure all wire nuts are secured. You may wrap the connections with electrical tape. If your outlet box has a ground wire (green or bare copper) connect fixture's ground wire to it. Otherwise attach the bare copper fixture wire to the green ground screw on the single bar.
2. Tuck the wire connections neatly into the wall junction box.

**Fig.1**



**Fig.2**

