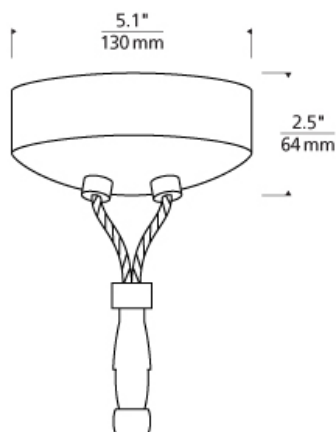


monorail surface electronic transformer 60w 120v/12v led

DESCRIPTION

Encased in a finished metal housing and mounts to any standard ceiling electrical box. This surface electronic transformer is encased in a finished housing and can be used to power lamps totalling up to 60w and is equipped with fast-acting short circuit and overload protection that will safely turn off the system should a short occur. Once the short is removed, the unit can be reset by simply flipping the wall switch off and back on. Dimmable with a 600w low-voltage electronic dimmer.



monorail surface
electronic
transformer 60w
120v/12v led

ORDERING INFORMATION

model	finish	length
TRANS-SFE61-	BZ bronze SC satin nickel	72"

As a general rule when using LED fixtures we do not recommend using greater than 70% of specified maximum wattage on the transformer due to inrush current. for assistance, please contact our technical support department.

FIXTURE TYPE: _____

JOB NAME: _____

NOTES: _____



7400 Linder Avenue
Skokie, Illinois 60077

T 847.626.6300
F 847.626.6350

www.lblighting.com



©2015 LBL Lighting. All Rights Reserved. The "LBL Lighting" graphic is a registered trademark of LBL Lighting. LBL Lighting reserves the right to change specifications for product improvements without notification.