

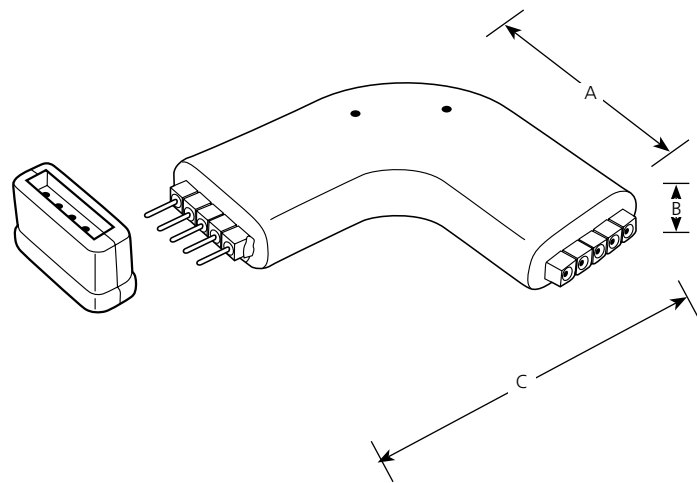


Type _____

-30

P8711

Catalog No.	Finish	Dimensions (Inches)		
	Black	A	B	C
P8711	-30	1-3/8	1/4	1-5/16



Specifications:

General

- Black (-30) finish
- 90° connector to connect tape sections on corners

Mounting

- Undercabinet mount

Electrical

- Fixtures can be linked together to form a continuous row of illumination

Labeling

- CETL Damp location listed