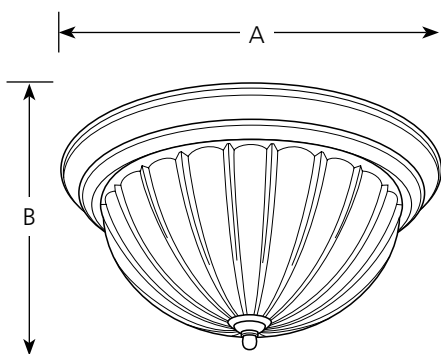


	Type							
	-04	-09	-10	-15	-20	-30	-33	-44
P3816	<input type="checkbox"/>	<input type="checkbox"/>	<input type="checkbox"/>	<input type="checkbox"/>	<input type="checkbox"/>	<input type="checkbox"/>	<input type="checkbox"/>	<input type="checkbox"/>
P3817	<input type="checkbox"/>	<input type="checkbox"/>	<input type="checkbox"/>	<input type="checkbox"/>	<input type="checkbox"/>	<input type="checkbox"/>	<input type="checkbox"/>	<input type="checkbox"/>
P3818	<input type="checkbox"/>	<input type="checkbox"/>	<input type="checkbox"/>	<input type="checkbox"/>	<input type="checkbox"/>	<input type="checkbox"/>	<input type="checkbox"/>	<input type="checkbox"/>

Catalog No.	Finish								Lamping	Dimensions (Inches)	
	Platinum Mist	Brushed Nickel	Polished Brass	Polished Chrome	Antique Bronze	White	Cobble-stone	Oxford Silver		A	B
P3816	-04	-09	-10	-15	-20	-30	-33	-44	1 (m) 75w	11-3/8	6
P3817	-04	-09	-10	-15	-20	-30	-33	-44	2 (m) 75w	13-1/4	7
P3818	-04	-09	-10	-15	-20	-30	-33	-44	3 (m) 75w	15-1/4	7-1/2



P3818

**Specifications:**

General

- Etched melon glass bowl with center lock up
  - P3816 glass 8-5/8" dia. x 3-5/8" tall, 1/2" center hole
  - P3817 glass 9-13/16" dia. x 4-1/2" tall, 1/2" center hole
  - P3818 glass 12" dia. x 5-1/8" tall, 1/2" center hole
- Painted platinum mist (-04), antique bronze (-20), white (-30), cobblestone (-33), or oxford silver (-44) finishes
- Plated brushed nickel (-09), polished brass (-10), or polished chrome (-15) finishes
- Steel construction

Mounting

- Flush ceiling mount
- Pan covers a standard 4" octagonal recessed outlet box
  - P3816 pan 11-3/8" dia. x 1/2" tall
  - P3817, P3818 pan 13-1/4" dia. x 1-5/8" tall
- Mounting strap for outlet box included

Electrical

- Ceramic medium base sockets
- Pre-wired

Labeling

- cCSAus "Damp Location" listed



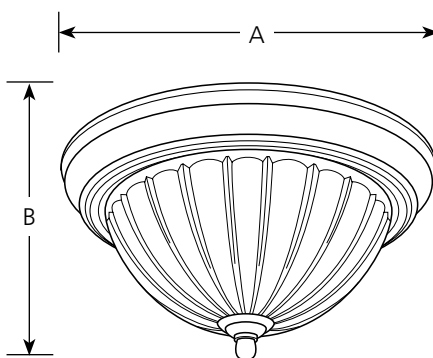
Compact Fluorescent

**Melon Glass**  
Energy Star

**Close-to-Ceiling**

	Type		
	-09EBWB	-20EBWB	-30EBWB
P3816	<input type="checkbox"/>	<input type="checkbox"/>	<input type="checkbox"/>
P3817	<input type="checkbox"/>	<input type="checkbox"/>	<input type="checkbox"/>

Catalog No.	Finish			Lamping	Dimensions (Inches)	
	Brushed Nickel	Antique Bronze	White		A	B
P3816	-09EBWB	-20EBWB	-30EBWB	1 13w CFL (Included)	11-3/8	6
P3817	-09EBWB	-20EBWB	-30EBWB	2 13w CFL (Included)	13-1/4	7



**P3816**

**Specifications:**

General

- Etched melon glass bowl with center lock up  
-P3816 glass 8-5/8" dia. x 3-5/8" tall, 1/2" center hole  
-P3817 glass 9-13/16" dia. x 4-1/2" tall, 1/2" center hole
- Painted white (-30) or antique bronze (-20) finishes
- Plated brushed nickel (-09) finish
- Steel construction
- Energy Star certified

Mounting

- Flush ceiling mount
- Pan covers a standard 4" octagonal recessed outlet box  
-P3816 pan 11-3/8" dia. x 1/2" tall  
-P3817 pan 13-1/4" dia. x 1-5/8" tall
- Mounting strap for outlet box included

Electrical

- GU24 based sockets
- Pre-wired

Labeling

- cCSAus "Damp Location" listed



Progress Lighting  
701 Millennium Blvd.  
Greenville, South Carolina  
29607

www.progresslighting.com