

Type _____

-09 -20 -30 -33

P2500

Finish

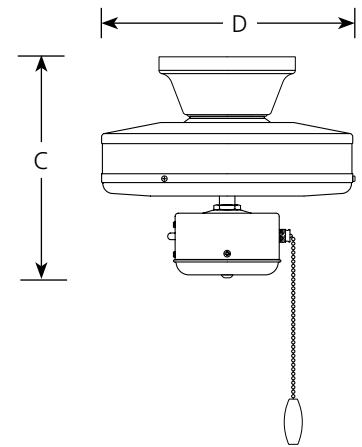
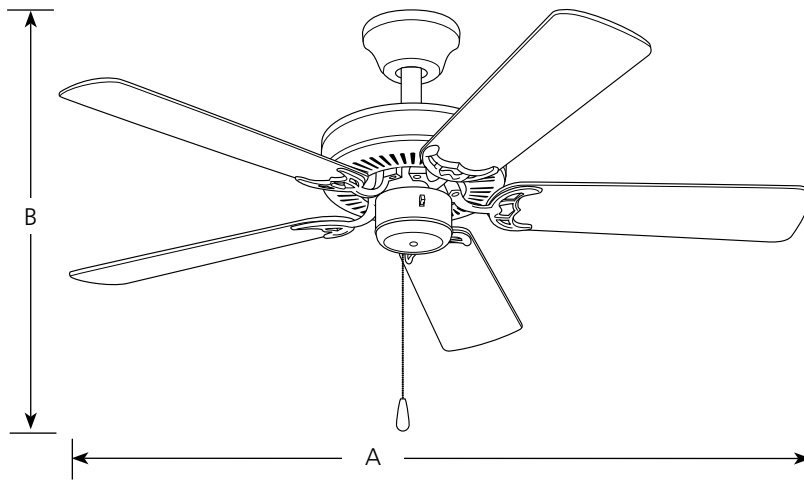
Catalog No	Brushed Nickel	Antique Bronze	White	Cobblestone
P2500	-09	-20	-30	-33

Dimensions (Inches)

A	B	C	D
42	12-3/8	8-3/8	4

Blades

Side 1	Cherry	Classic Walnut	White	Rosewood
Side 2	Natural Cherry	Medium Cherry	Washed Oak	Honey Pine



Specifications:

General

- 15 year limited warranty

Blades

- Five blades
- Reversible
- Sure Connect blade attachment system
 - Screws preinstalled in blades for attachment to motor arms
 - Special guides align blades to motor arms
 - Preinstalled rubber isolation pads minimize vibration noise
- MDF blade material

Motor

- Triple capacitor speed control; manual reverse control
- 153mm dia x 10mm high
- Pull chain on brushed nickel (-09) is chrome with walnut tab, white (-30) is chrome with a white fob, and on antique bronze (-20) and cobblestone (-33) is antique brass chain with medium oak fob

Mounting

- Dual ceiling mounting on downrod, or close to ceiling
- A 1-1/6" x 4-1/4" downrod is included. Longer accessory downrods can be ordered separately
- Quick-Install canopy installs without removing outlet box screws and securely holds fan for wiring during installation
- Canopy covers standard recessed 4" octagonal outlet box. Note: An outlet box assembly designed for fan installation is required (not included)

Electrical

- 72" lead wires included
- Pre-wired

High Speed Energy Information

- Airflow—2,415 cfm
- Energy consumption—49 watts (excluding uplights)
- Airflow efficiency—50 cfm/watt

Labeling

- UL/CUL listed

Progress Lighting
701 Millennium Blvd.
Greenville, South Carolina
29607