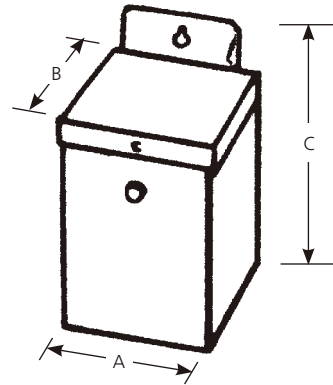


Type _____
 -31
 P8590
 P8591
 P8592

Catalog No.	Finish		Manual	Timer	Photocell	Dimensions (Inches)		
	Black	Wattage				A	B	C
P8590	-31	150	Yes	No	No	3-1/2	3	8-3/4
P8591	-31	300	Yes	No	No	4	5	10
P8592	-31	600*	Yes	No	No	4	4-1/2	12



***2/300w circuits**

Specifications:

Electrical

- 300 and 600 watt units only
- Maximizes light output and lamp life under varying load conditions
- Adjusts for light loss in longer runs
- Isolation type transformer for safe operation
- Three foot 12 gauge cord with grounding plug
- Thermostat in primary to prevent overheating
- Resettable circuit breakers in secondary circuit to protect lighting components
- 12v euro style terminal board makes wiring simple and fast
- Operating voltage: 120V input, 12V output, 60hz

Construction

- Black powder coat finish on steel
- Epoxy encapsulated transformer for quiet and cool operation
- Weatherproof construction
- Easy open closure with KO's for photocontrol installation

Mounting

- Vertical mounting
- Top mounting bracket with keyhole slot is attached to housing
- Bottom mounting bracket with slot is attached to housing
- Can be mounted anywhere outdoors

Labeling

- UL-CUL wet location listed
- Made in USA