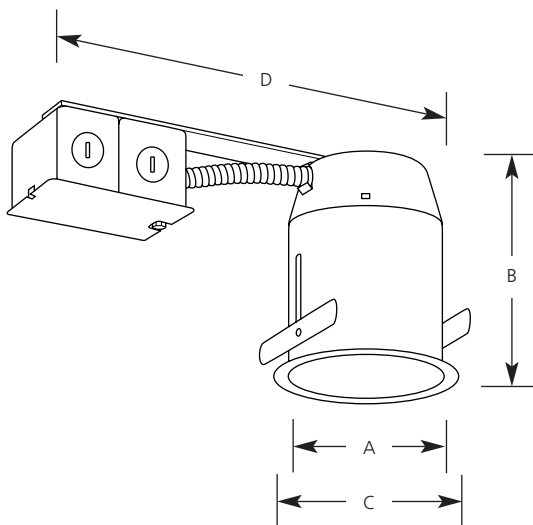


Type _____

P832-TG

| Catalog No. | Lamping | Dimensions (Inches) | | | |
|-------------|-------------------------|-----------------------|-------|---------|--------|
| | | A | B | C | D |
| P832-TG | See Trim Specifications | 4-1/8 | 5-1/2 | 4-13/16 | 11-3/8 |
| | | Ceiling Opening 4-1/4 | | | |



Specifications:

Wiring

- Universal J-box
- Grounding pigtail
- 1/2" Knock outs

Construction

- Housing adjusts from 1/2" to 1" thick ceilings
- Galvanized steel construction with aluminum housing
- Porcelain socket with nickel-plated brass screw shell
- Adjustable bars lock unit securely to ceiling
- Integral housing flange

Labeling

- UL-CUL listed for damp locations and feed through wiring (2in, 2 out, 12ga.)
- Non-IC rated

Lamp/Trim

- Socket mounts to trim for optimum performance and consistent lamp position