



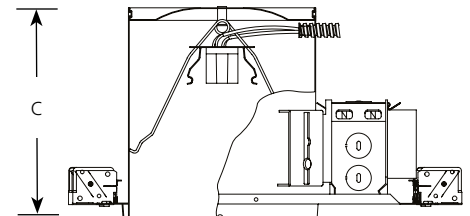
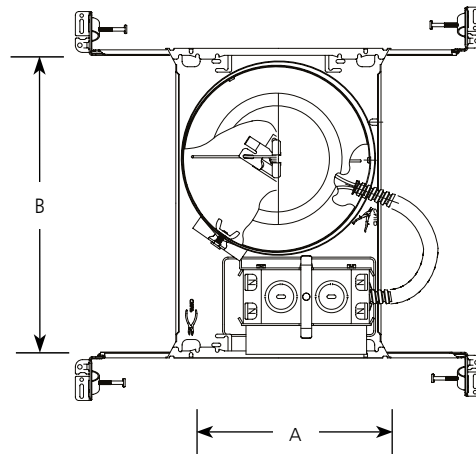
Compact Fluorescent

6" Single Vertical Lamp Housing IC/Air-Tight/Energy Star

Recessed

Type _____
P83-26ICAT

Catalog No.	Lamping	Dimensions (Inches)		
		A	B	C
P83-26ICAT	(1) 26w Triple CF (4-pin)	7-7/8	10-3/4	7-1/2 Ceiling Opening 6-7/8



Specifications:

Wiring

- Universal junction box with snap-out sides
- Removable housing for field inspection of wiring
- Grounding pigtail
- Knockout free Romex clamps
- 1/2" & 3/4" Knock outs for rigid or BX fittings
- Electronic NPF 120-volt ballast with end of life protection
- Pre-installed 4-port wire quick connects

Construction

- Notched housing for chalkline alignment
- Full wrap-around plaster frame
- Removable K.O. for remodel use (P8607-01 plaster frame clips also required)
- Galvanized steel construction
- Toolless adjustment for 1/2" to 2-1/2" thick ceilings

Bar Hangers

- Integral II ga. fluted nail for wood joist construction
- Integral snap-on T-bar mounting clip
- Rigid male/female design spans 24" for suspended ceilings

- Lock to secure housing
- Captive with extension stop tab
- 90-degree mounting for tight spaces
- Joint alignment tab

Labeling

- UL-CUL listed for damp locations
- Not rated for through branch wiring, but can be daisy chained
- Complies with Washington State Energy Code (WSEC) requirement for Air tight
- Complies with California Title 24 Legislation
- Complies with Energy Star
- IC rated

Lamp/Trim

- Trim-Lok® action forces trim to fit snugly against the ceiling
- Socket mounts to trim for optimum performance, and provides consistent vertical lamp position
- Single-lamp vertical 26w (4-pin) G24q-3 or GX24q-3 compact fluorescent
- Foil gasket included to complete air-tight installation



Progress Lighting
701 Millennium Blvd.
Greenville, South Carolina
29607

www.progresslighting.com



Compact Fluorescent

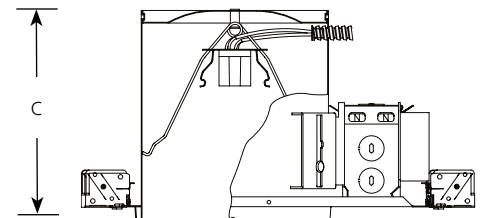
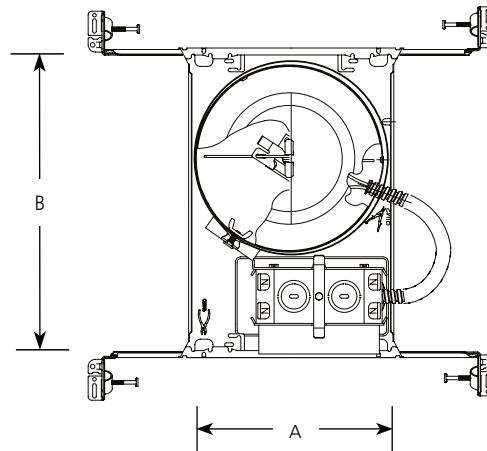
6" Single Vertical Lamp Housing IC/Air-Tight/Energy Star Dimming

Recessed

Type _____

P83-26ICATDM

Catalog No.	Lamping	Dimensions (Inches)		
		A	B	C
P83-26ICATDM	(1) 26w Triple CF (4-pin)	7-7/8	10-3/4	7-1/2 Ceiling Opening 6-7/8



Specifications:

Wiring

- Universal junction box with snap-out sides
- Removable housing for field inspection of wiring
- Grounding pigtail
- Knockout free Romex clamps
- 1/2" & 3/4" Knock outs for rigid or BX fittings
- Electronic NPF(.80), 120-volt ballast with end of life protection. (150% THD)
- Dimming ballast down to 15% lamp output
- Ballast is compatible with most electromechanical incandescent dimming switches
- Pre-installed 4-port wire quick connects

- Rigid male/female design spans 24" for suspended ceilings
- Lock to secure housing
- Captive with extension stop tab
- 90-degree mounting for tight spaces
- Joint alignment tab

Labeling

- UL-CUL listed for damp locations
- Not rated for through branch wiring, but can be daisy chained
- Complies with Washington State Energy Code (WSEC) requirement for Air tight
- Complies with California Title 24 Legislation
- Complies with Energy Star
- IC rated

Construction

- Notched housing for chalkline alignment
- Full wrap-around plaster frame
- Removable K.O. for remodel use (P8607-01 plaster frame clips also required)
- Galvanized steel construction
- Toolless adjustment for 1/2" to 2-1/2" thick ceilings

Lamp/Trim

- Trim-Lok® action forces trim to fit snugly against the ceiling
- Socket mounts to trim for optimum performance, and provides consistent vertical lamp position
- Single-lamp vertical 26w (4-pin) G24q-3 or GX24q-3 compact fluorescent
- Foil gasket included to complete air-tight installation

Bar Hangers

- Integral II ga. fluted nail for wood joist construction
- Integral snap-on T-bar mounting clip



Progress Lighting
701 Millennium Blvd.
Greenville, South Carolina
29607

www.progresslighting.com



Approved Dimming Control Devices for Use with P83-26ICATDM

Progress Lighting's P83-26ICATDM is designed for compatibility with most electromechanical incandescent dimmer switches. Following is a list of switches approved by the ballast manufacturer:

Manufacturer	Series	Comments
Hunt Dimming	PS, SC, FD, SSD Simplicity	All Mark X dimmers
Leviton	IllumaTech Preset Slide, IllumaTech Rotary, SureSlide	
Pass & Seymour	Scene Director, Leandro	Mark X version only
Progress Lighting	P8538-30, P8540-30	



Compact Fluorescent

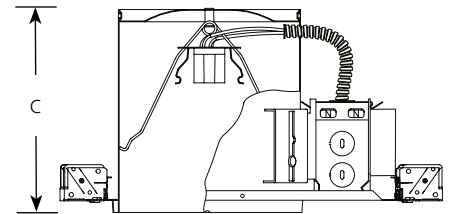
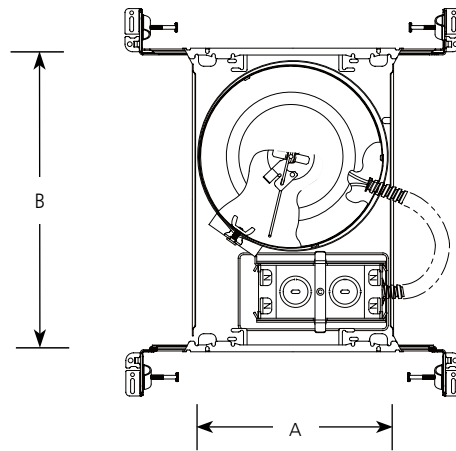
6" Single Vertical Lamp Housing IC/Air-Tight/Energy Star

Recessed

Type _____

P83-ICAT

Catalog No.	Lamping	Dimensions (Inches)		
		A	B	C
P83-ICAT	(1) 13w Quad or Triple CF (4-pin)	7-7/8	10-3/4	7-1/2 Ceiling Opening 6-7/8



Specifications:

Wiring

- Universal junction box with snap-out sides
- Removable housing for field inspection of wiring
- Grounding pigtail
- Knockout free Romex clamps
- 1/2" & 3/4" Knock outs for rigid or BX fittings
- Electronic NPF 120-volt ballast with end of life protection (located inside junction box)

Construction

- Notched housing for chalkline alignment
- Full wrap-around plaster frame
- Removable K.O. for remodel use (P8607-01 plaster frame clips also required)
- Galvanized steel construction
- Toolless adjustment for 1/2" to 2-1/2" thick ceilings

Bar Hangers

- Integral II ga. fluted nail for wood joist construction
- Integral snap-on T-bar mounting clip
- Rigid male/female design spans 24" for suspended ceilings

- Lock to secure housing
- Captive with extension stop tab
- 90-degree mounting for tight spaces
- Joint alignment tab

Labeling

- UL-CUL listed for damp locations
- Not rated for through branch wiring, but can be daisy chained
- Complies with Washington State Energy Code (WSEC) requirement for Air tight
- Complies with California Title 24 Legislation
- Complies with Energy Star
- IC rated

Lamp/Trim

- Trim-Lok® action forces trim to fit snugly against the ceiling
- Socket mounts to trim for optimum performance, and provides consistent vertical lamp position
- Single-lamp vertical 13w (4-pin) G24q-1 or GX24q-1 compact fluorescent



Progress Lighting
701 Millennium Blvd.
Greenville, South Carolina
29607

www.progresslighting.com

Rev. 2/09



Compact Fluorescent

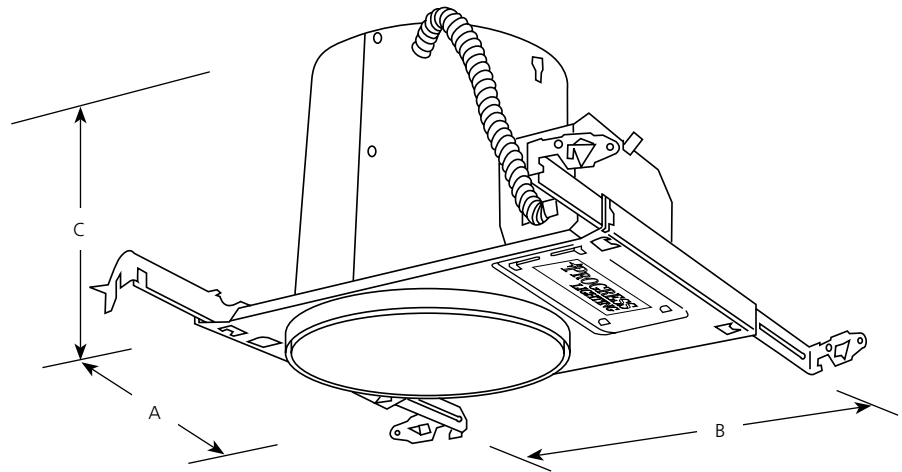
6" Single Vertical Lamp Housing IC & Air Tight

Recessed

Type _____

P83-AT

Catalog No.	Lamping	Dimensions (Inches)		
		A	B	C
P83-AT	(1) 13w Quad, Triple (GE)	7-7/8	10-3/4	7-1/2
		Ceiling Opening 6-7/8		



Specifications:

Wiring

- Universal junction box with snap-out sides
- Removable housing for field inspection of wiring
- Grounding pigtail
- Knockout free Romex clamps
- 1/2" & 3/4" Knock outs for rigid or BX fittings
- Electronic HPF 120/277V ballast

Construction

- Notched housing for chalkline alignment
- Overspray protection
- Full wrap-around plaster frame
- Removable K.O. for remodel use (P8607-01 plaster frame clips also required)
- Galvanized steel construction
- Toolless adjustment for 1/2" to 2-1/2" thick ceilings

Bar Hangers

- Integral nailers for wood joist construction
- Integral T-bar mounting clamps
- Span 24" T-bar spacing
- Lock to secure housing
- Captive
- 90-degree mounting for tight spaces

Labeling

- Complies with Washing State Energy Code (WSEC) requirement for air tight
- UL-CUL listed for damp location and feed-through wiring
- IC rated
- Approved for use in New York City per calendar #42270

Lamp/Trim

- Trim-Lok[®] action forces trim to fit snugly against the ceiling
- Single-lamp vertical 13w (4-pin) G24q-1 compact fluorescent

Progress Lighting
701 Millennium Blvd.
Greenville, South Carolina
29607

www.progresslighting.com

Rev. 5/08