



Incandescent

6" Lensless Shower Light IC & Non-IC

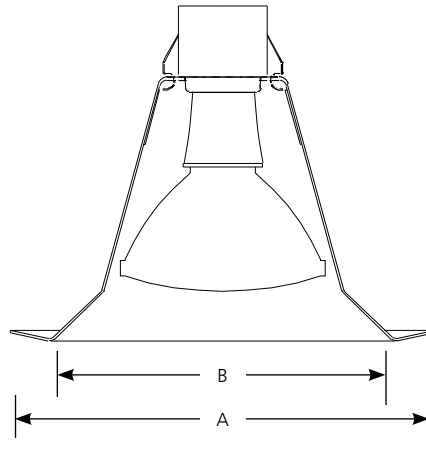
Recessed

Type _____

-28

P8072WL

Catalog No.	Finish	Dimensions (Inches)	
		A	B
P8072WL	White -28	7-3/4	4-3/4



Lamp Wattage*

Housing	IC	Non-IC
P87-AT	50PAR30	50PAR30
P87-ATQC	50PAR30	50PAR30
P187-TG	50PAR30	50PAR30
P821-AT	N/A	50PAR30
P821-FB,FBFC	50PAR30	50PAR30
P87-ATQC	50PAR30	50PAR30

Specifications:

Flange

- Bright white powder painted metal flange
- No light leaks around trim flange
- Covers irregular ceiling openings

Trim

- Trim-Lok action forces trim to fit snugly against the ceiling
- Socket mounts to trim for optimum performance and consistent lamp position
- One-piece aluminum construction
- Splay design for PAR 30 lamps

Options

- White reflector

Labels

- UL CUL wet location listed

* Use with outdoor rated PAR lamps

Progress Lighting
 701 Millennium Blvd.
 Greenville, South Carolina
 29607

www.progresslighting.com
 Patent# 5,758,987, 5,758,988



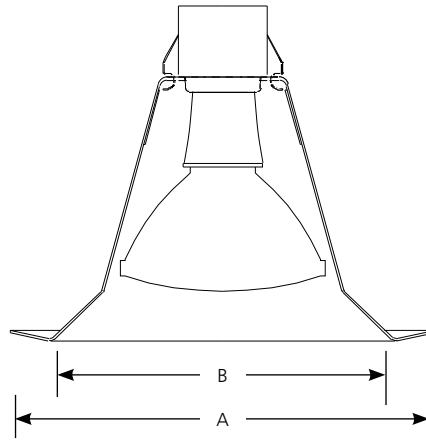
Incandescent

**6" Lensless Shower Light
IC & Non-IC**

Recessed

Type _____
 -10 -28
 P8072

Catalog No.	Finish		Dimensions (Inches)	
	Brass	White	A	B
P8072	-10	-28	7-3/4	4-3/8



Lamp Wattage*

Housing	IC	Non-IC
P87-AT	75PAR30/65BR30	75PAR30/100A19/85BR30
P87-ATQC	75PAR30/65BR30	75PAR30/100A19/85BR30
P187-TG	85BR30/75PAR30/75A19	85R30/75PAR30/75A19
P821-AT	N/A	85BR30/75PAR30/40A19
P821-FB,FBFC	75PAR30/65BR30	75PAR30/100A19/85BR30
P87-ATQC	75PAR30/65BR30	75PAR30/100A19/85BR30

Specifications:

Flange

- Bright white powder painted metal flange
- No light leaks around trim flange
- Covers irregular ceiling openings

Trim

- Trim-Lok action forces trim to fit snugly against the ceiling
- Socket mounts to trim for optimum performance and consistent lamp position
- One-piece aluminum construction
- Splay design for BR and PAR 30 lamps

Options

- Brass reflector - specify "1-" after catalog number
- White reflector - specify "28" after catalog number

Labels

- UL-CUL damp location listed

Progress Lighting
 701 Millennium Blvd.
 Greenville, South Carolina
 29607

www.progresslighting.com
 Patent# 5,758,987, 5,758,988

P87-AT

P87-AT WITH P8072-28

Report No. 98094

No. Lamps: 1 Type Lamp: 100A19 - GE Total Lumens: 1710

Fixture Efficiency: 49.3%

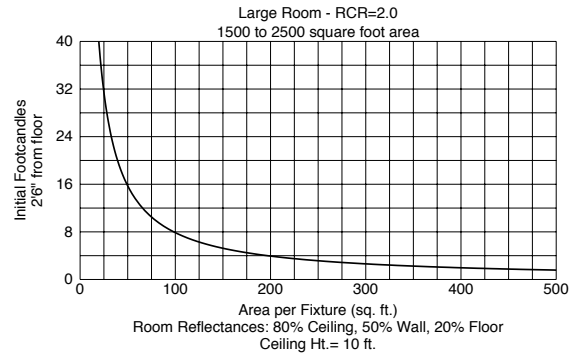
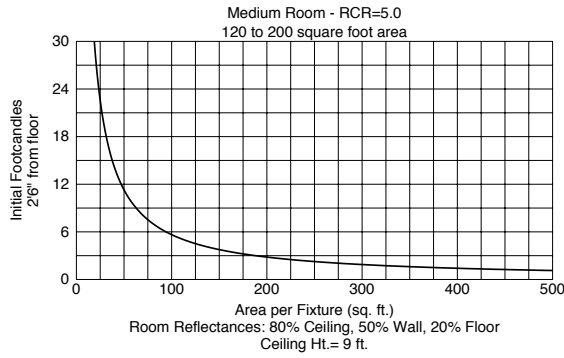
S/MH Ratio: 1.6

Single Fixture Data

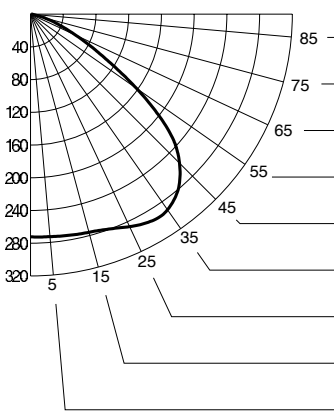
Ceiling Ht.(Ft.)	10% Values		Zero Degrees	50% Values	
	Beam Angle - 111			Beam Angle - 77	
	Ft.-C	Beam Dia.		Ft.-C	Beam Dia.
8	0.9	16	9.0	4.5	9
10	0.5	22	4.8	2.4	12
12	0.3	28	3.0	1.5	15
14	0.2	34	2.1	1.0	18
16	0.1	39	1.5	0.7	22

Ft.-C (Footcandles) are initial and measured 2'-6" from floor

Quick Calculator Charts



DISTRIBUTION CURVE



INTENSITY DATA

DEGREES	CANDELA
90	0
85	2
80	6
75	18
70	36
65	62
60	100
55	158
50	220
45	258
40	281
35	292
30	293
25	287
20	280
15	276
10	274
5	273
0	272

ZONAL CAVITY COEFFICIENTS OF UTILIZATION

Effective Floor Cavity Reflectance 0.20

RC	Effective Floor Cavity Reflectance 0.20																							
	80				70				50				30				10				0			
RW	70	50	30	10	70	50	30	10	50	30	10	50	30	10	50	30	10	50	30	10	50	30	10	0
0	59	59	59	59	57	57	57	57	55	55	55	52	52	52	50	50	50	49	49	49	49	49	49	49
1	54	52	51	49	53	51	50	48	49	48	47	47	46	45	46	45	44	43	43	43	43	43	43	43
2	50	46	43	41	49	45	43	40	44	41	40	42	40	39	41	39	38	37	37	37	37	37	37	37
3	46	41	37	35	45	40	37	34	39	36	34	38	35	33	36	34	33	32	32	32	32	32	32	32
4	42	37	33	29	41	36	32	29	35	31	29	34	31	29	33	30	28	27	27	27	27	27	27	27
5	39	33	29	25	38	32	28	25	31	28	25	30	27	25	29	27	25	24	24	24	24	24	24	24
6	36	29	25	22	35	29	25	22	28	25	22	27	24	22	27	24	22	21	21	21	21	21	21	21
7	33	27	22	20	32	26	22	19	25	22	19	25	22	19	24	21	19	18	18	18	18	18	18	18
8	31	24	20	17	30	24	20	17	23	20	17	23	19	17	22	19	17	16	16	16	16	16	16	16
9	29	22	18	16	28	22	18	15	21	18	15	21	18	15	20	17	15	14	14	14	14	14	14	14
10	27	20	17	14	26	20	16	14	20	16	14	19	16	14	19	16	14	13	13	13	13	13	13	13

P87-AT

P87-AT WITH P8072-28

Report No. 98092

No. Lamps: 1 Type Lamp: 65BR30 FL Total Lumens: 770

Fixture Efficiency: 90.3%

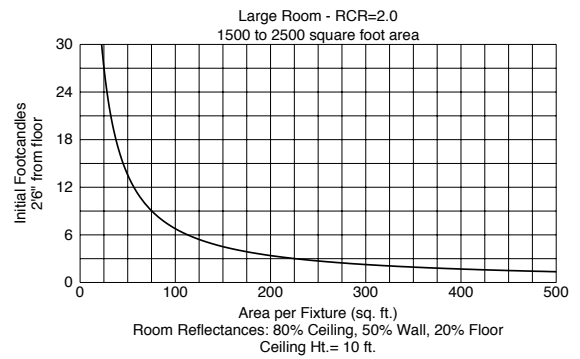
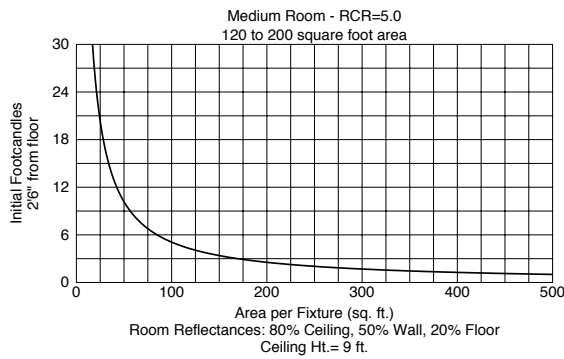
S/MH Ratio: 0.9

Single Fixture Data

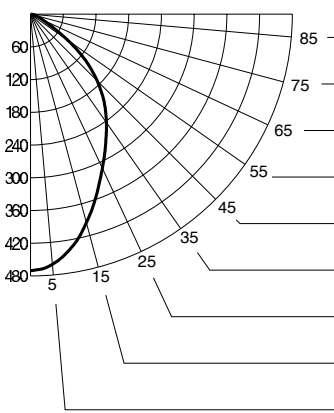
Ceiling Ht.(Ft.)	10% Values		Zero Degrees	50% Values	
	Beam Angle - 95			Beam Angle - 49	
	Ft.-C	Beam Dia.		Ft.-C	Beam Dia.
8	1.6	12	15.6	7.8	5
10	0.8	16	8.4	4.2	7
12	0.5	21	5.2	2.6	9
14	0.4	25	3.6	1.8	11
16	0.3	29	2.6	1.3	12

Ft.-C (Footcandles) are initial and measured 2'-6" from floor

Quick Calculator Charts



DISTRIBUTION CURVE



INTENSITY DATA

DEGREES	CANDELA
90	0
85	1
80	4
75	10
70	16
65	25
60	44
55	84
50	131
45	173
40	210
35	243
30	275
25	312
20	353
15	396
10	434
5	460
0	470

ZONAL CAVITY COEFFICIENTS OF UTILIZATION

Effective Floor Cavity Reflectance 0.20

RC	70												50				30				10				0			
	70	50	30	10	70	50	30	10	50	30	10	50	30	10	50	30	10	50	30	10	50	30	10	50	30	10		
0	107	107	107	107	105	105	105	105	100	100	100	96	96	96	92	92	92	90	90	90	85	85	85	81	81	81		
1	101	98	95	92	98	96	93	91	92	90	88	88	87	85	85	84	83	81	81	81	78	78	77	73	72	72		
2	94	88	83	79	92	87	82	79	83	80	77	81	78	75	78	76	73	72	72	72	71	71	70	65	64	64		
3	87	80	74	69	85	78	73	69	76	71	68	74	70	66	71	68	65	64	64	64	67	63	59	65	62	58	57	
4	81	72	66	61	79	71	65	61	69	64	60	67	63	59	65	62	58	57	57	57	60	56	52	51	51	51		
5	76	66	59	54	74	65	59	54	63	58	53	62	57	53	60	56	52	51	51	51	55	51	47	46	46	46		
6	71	60	54	49	69	60	53	49	58	52	48	57	52	48	55	51	47	46	46	46	51	47	43	41	41	41		
7	66	56	49	44	65	55	48	44	54	48	44	52	47	43	51	47	43	41	41	41	48	43	39	38	38	38		
8	62	51	45	40	61	51	44	40	50	44	40	49	43	40	48	43	39	38	38	38	44	40	36	35	35	35		
9	58	48	41	37	57	47	41	37	46	40	36	45	40	36	44	40	36	35	35	35	44	40	36	35	35	35		
10	55	44	38	34	54	44	38	34	43	37	34	42	37	33	42	37	33	32	32	32	42	37	33	32	32	32		



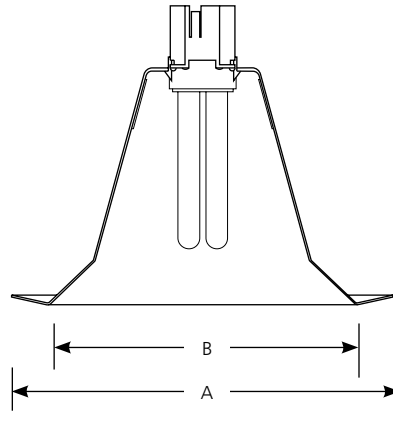
Compact Fluorescent

**6" Lensless Shower Light
IC & Non-IC**

Recessed

Type _____
 -10 -28
 P8072

Catalog No.	Finish		Dimensions (Inches)	
	Brass	White	A	B
P8072	-10	-28	7-3/4	4-3/8



Lamp Wattage	IC	Non-IC
P83-AT	13w 4-pin Quad/Triple-tube CF	13w 4-pin Quad/Triple-tube CF
P83-ICAT	13w 4-pin Quad/Triple-tube CF	13w 4-pin Quad/Triple-tube CF
P88-ICAT	18w 4-pin Quad/Triple-tube CF	18w 4-pin Quad/Triple-tube CF
P183-EB	13w 4-pin Quad/Triple-tube CF	13w 4-pin Quad/Triple-tube CF
P83-26ICAT	26w 4-pin Triple-tube CF	26w 4-pin Triple-tube CF
P62-FB	N/A	26 or 32w 4-pin Triple-tube CF

Specifications:

Flange

- Bright white powder painted metal flange
- No light leaks around trim flange
- Covers irregular ceiling openings

Trim

- Trim-Lok action forces trim to fit snugly against the ceiling
- Socket mounts to trim for optimum performance and consistent lamp position
- One-piece aluminum construction
- Splay design for vertical mount 13w Quad CF

Options

- White reflector - specify "28" after catalog number
- Anodized Brass finish - specify "10" after catalog number

Lamps

- Maximum overall length of lamp cannot exceed 5.5" (5-1/2")
- Available are: GE -F26TBX, Phillips PLT26, Sylvania CF26 or 32DT, or Progress 7808-01 (26w)

Labels

- UL-CUL damp location listed

Progress Lighting
 701 Millennium Blvd.
 Greenville, South Carolina
 29607

www.progresslighting.com
 Patent# 5,758,987, 5,758,988

P83

P83 WITH P8072-10

Report No. 98032

No. Lamps: 1 Type Lamp: 13W QUAD CF - GE Total Lumens: 860

Fixture Efficiency: 52.1%

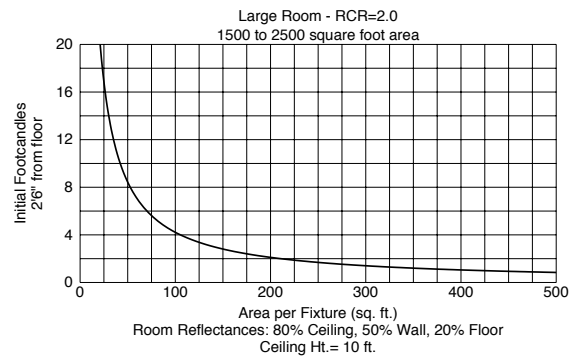
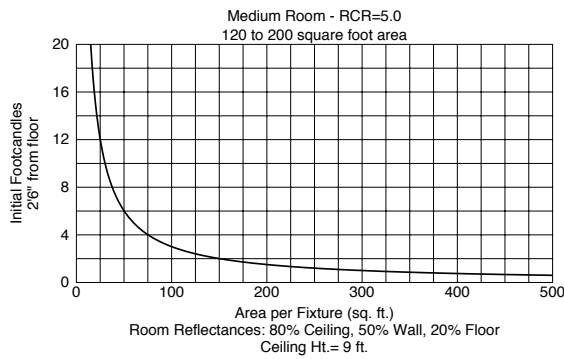
S/MH Ratio: 1.7

Single Fixture Data

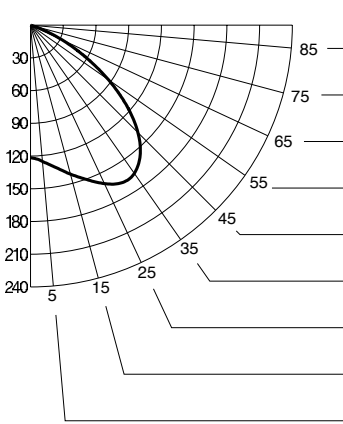
Ceiling Ht.(Ft.)	10% Values		Zero Degrees Ft.-C	50% Values	
	Beam Angle - 114			Beam Angle - 84	
	Ft.-C	Beam Dia.		Ft.-C	Beam Dia.
8	0.4	17	4.0	2.0	10
10	0.2	23	2.2	1.1	14
12	0.1	29	1.3	0.7	17
14	0.1	35	0.9	0.5	21
16	0.1	42	0.7	0.3	25

Ft.-C (Footcandles) are initial and measured 2'-6" from floor

Quick Calculator Charts



DISTRIBUTION CURVE



INTENSITY DATA

DEGREES	CANDELA
90	0
85	0
80	0
75	1
70	11
65	32
60	58
55	87
50	115
45	139
40	156
35	166
30	167
25	160
20	151
15	141
10	132
5	125
0	122

ZONAL CAVITY COEFFICIENTS OF UTILIZATION

Effective Floor Cavity Reflectance 0.20

RC	70												50				30				10				0			
	70	50	30	10	70	50	30	10	50	30	10	50	30	10	50	30	10	50	30	10	50	30	10	50	30	10		
0	62	62	62	62	60	60	60	60	58	58	58	55	55	55	53	53	53	52	52	52	52	52	52	52	52	52		
1	58	56	54	52	56	54	53	51	52	51	50	50	49	48	48	48	47	46	46	46	46	46	46	46	46	46		
2	53	49	46	44	52	48	46	43	47	44	42	45	43	41	43	42	40	39	39	37	35	34	34	34	34	34		
3	49	44	40	37	48	43	40	37	42	39	36	40	38	36	39	37	35	34	34	33	32	30	29	29	29	29		
4	45	39	35	32	44	38	34	31	37	34	31	36	33	31	35	32	30	29	29	28	27	25	24	24	24	24		
5	41	35	31	27	40	34	30	27	33	30	27	32	29	27	31	29	26	25	25	24	23	22	21	21	21	21		
6	38	31	27	24	37	31	27	24	30	26	24	29	26	23	28	25	23	22	22	21	20	19	18	18	18	18		
7	35	28	24	21	34	28	24	21	27	23	21	26	23	21	26	23	20	19	19	18	17	16	15	15	15	15		
8	33	26	21	19	32	25	21	18	25	21	18	24	21	18	23	20	18	17	17	16	15	14	13	13	13	13		
9	30	24	19	17	30	23	19	16	23	19	16	22	19	16	22	18	16	15	15	14	13	12	11	11	11	11		
10	28	22	18	15	28	21	17	15	21	17	15	20	17	15	20	17	15	14	14	13	12	11	10	10	10	10		

