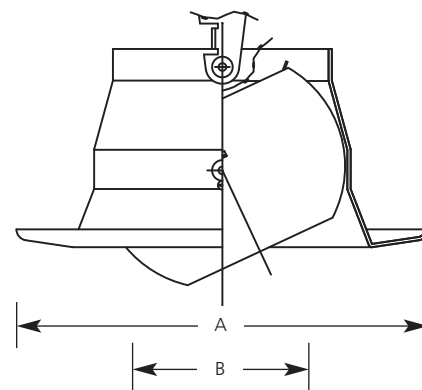
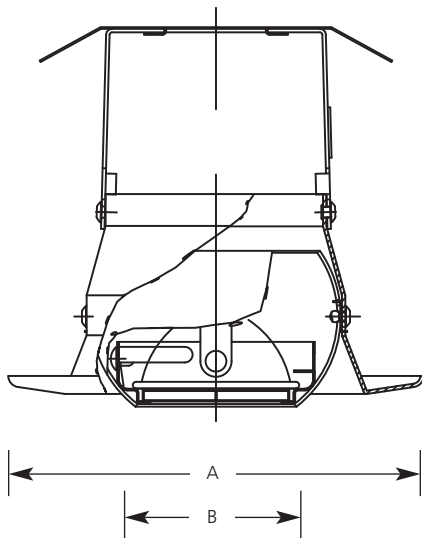


Type _____

-09 -20 -28 -36

P8057

| Catalog No. | Finish | | | | Dimensions (Inches) | |
|-------------|----------------|----------------|-------|----------|---------------------|--------|
| | Brushed Nickel | Antique Bronze | White | Chestnut | A | B |
| P8057 | -09 | -20 | -28 | -36 | 5-1/4 | 1-9/16 |



Lamp Wattage

| Housing | IC | Non-IC |
|---------|--------|--------|
| P817-AT | 50MR16 | 50MR16 |
| P816-TG | N/A | 50MR16 |
| P818-TG | N/A | 50MR16 |

Specifications:

Flange

- White powder coated flange on white (-28)
- Brushed nickel (-09), antique bronze (-20), and chestnut (-36) have unpainted flanges that match the baffle finish
- Covers irregular ceiling openings

Trim

- Push-in leaf spring action forces trim to fit snugly against the ceiling
- Lamp tilt 30 degrees, 360 degree positioning
- Steel construction
- Eyeball finish matches trim finish

Options

- White (-28) or chestnut (-36) painted finishes
- Brushed nickel (-09) or antique bronze (-20) plated finishes

Labels

- UL-CUL damp location listed

Photometrics

- Refer to MR16 Lamp Application Data

Progress Lighting
 Post Office Box 5704
 Spartanburg, South Carolina
 29304-5704

www.progresslighting.com

Figure 1
Single fixture

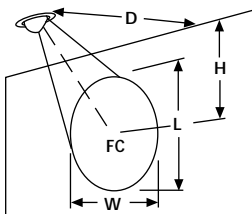
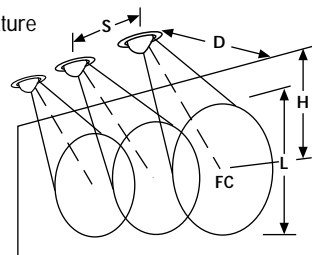


Figure 2
Multiple fixture



MR16
Flood Lamps



| Walls and Vertical Objects | | | | | | | | | | | | | | | |
|----------------------------|------|----|------|-----|----------|------|----|------|-----|----------|------|----|------|-----|-----|
| H | F.C. | L | W | S | H | F.C. | L | W | S | H | F.C. | L | W | S | |
| D = 2 FT | | | | | D = 3 FT | | | | | D = 4 FT | | | | | |
| 35MR16FL | 4 | 22 | 15.7 | 3.3 | 2.8 | 5 | 15 | 13.0 | 4.2 | 3.6 | 7 | 8 | 19.8 | 5.9 | 5.0 |
| CBCP - 1,000 | 5 | 13 | * | 3.9 | 3.4 | 6 | 10 | 23.5 | 4.9 | 4.2 | 8 | 6 | * | 6.5 | 5.6 |
| Beam - 40 deg. | 6 | 8 | * | 4.6 | 3.9 | 7 | 7 | * | 5.5 | 4.7 | 9 | 4 | * | 7.2 | 6.1 |
| 50MR16NFL | 4 | 71 | 5.6 | 2.0 | 1.9 | 5 | 49 | 5.8 | 2.6 | 2.4 | 7 | 25 | 8.4 | 3.6 | 3.3 |
| CBCP - 3,200 | 5 | 41 | 9.3 | 2.4 | 2.2 | 6 | 32 | 8.3 | 3.0 | 2.8 | 8 | 18 | 11.1 | 4.0 | 3.7 |
| Beam - 25 deg. | 6 | 25 | 16.0 | 2.8 | 2.6 | 7 | 22 | 11.7 | 3.4 | 3.2 | 9 | 13 | 14.3 | 4.4 | 4.1 |
| 50MR16FL | 4 | 38 | 15.7 | 3.3 | 2.8 | 5 | 26 | 13.0 | 4.2 | 3.6 | 7 | 13 | 19.8 | 5.9 | 5.0 |
| CBCP - 1,700 | 5 | 22 | * | 3.9 | 3.4 | 6 | 17 | 23.5 | 4.9 | 4.2 | 8 | 9 | * | 6.5 | 5.6 |
| Beam - 40 deg. | 6 | 13 | * | 4.6 | 3.9 | 7 | 12 | * | 5.5 | 4.7 | 9 | 7 | * | 7.2 | 6.1 |

MR16
Spot Lamps



| Walls and Vertical Objects | | | | | | | | | | | | | | | |
|----------------------------|------|-----|-----|-----|----------|------|----|-----|-----|----------|------|----|------|-----|-----|
| H | F.C. | L | W | S | H | F.C. | L | W | S | H | F.C. | L | W | S | |
| D = 2 FT | | | | | D = 3 FT | | | | | D = 4 FT | | | | | |
| 35MR16SP | 4 | 87 | 4.0 | 1.6 | 1.5 | 5 | 59 | 4.4 | 2.1 | 2.3 | 7 | 30 | 6.3 | 2.8 | 2.7 |
| CBCP - 3,900 | 5 | 50 | 6.3 | 1.9 | 1.8 | 6 | 38 | 6.1 | 2.4 | 2.6 | 8 | 22 | 8.1 | 3.2 | 3.0 |
| Beam - 20 deg. | 6 | 31 | 9.8 | 2.2 | 2.1 | 7 | 26 | 8.2 | 2.7 | 2.7 | 9 | 16 | 10.1 | 3.5 | 3.3 |
| Walls and Vertical Objects | | | | | | | | | | | | | | | |
| H | F.C. | L | W | S | H | F.C. | L | W | S | H | F.C. | L | W | S | |
| D = 3 FT | | | | | D = 4 FT | | | | | D = 5 FT | | | | | |
| 50MR16NSP | 5 | 138 | 3.1 | 1.5 | 1.5 | 7 | 70 | 4.5 | 2.1 | 2.1 | 9 | 41 | 5.9 | 2.7 | 2.6 |
| CBCP - 9,100 | 6 | 90 | 4.3 | 1.8 | 1.7 | 8 | 51 | 5.7 | 2.4 | 2.3 | 10 | 32 | 7.1 | 3.0 | 2.9 |
| Beams - 15 deg. | 7 | 62 | 5.6 | 2.0 | 2.0 | 9 | 38 | 7.0 | 2.6 | 2.5 | 11 | 26 | 8.4 | 3.2 | 3.1 |

Walls and Vertical Objects

| | |
|------|--|
| H | Height from ceiling to center of beam |
| D | Distance from fixture to wall |
| F.C. | Footcandles at center of beam |
| L | Length of effective lighted area |
| W | Width of effective lighted area |
| S | Spacing of multiple fixtures to effectively light wall |
| * | Length of lighted area is in excess of 30 feet |

Data assumes a maximum tilt of 30 degrees.

For horizontal surface data refer to Lamp Application Data sheets.

CBCP - Center Beam Candlepower