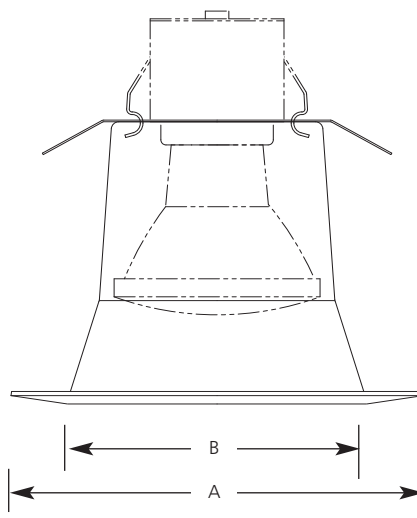


Type \_\_\_\_\_  
 -28  
 P8041WL

Catalog No.	Finish White	Dimensions (Inches)	
		A	B
P8041WL	-28	5	3-9/16



Lamp Wattage*		
Housing	IC	Non-IC
P830-TG	N/A	50w PAR20
P832-TG	N/A	50w PAR20
P831-AT	50w PAR20	50w PAR20
P831-FB	50w PAR20	50w PAR20

**Specifications:**

Flange

- Bright white powder painted integral metal flange
- No light leaks around trim flange
- Covers irregular ceiling openings

Trim

- All aluminum construction
- Socket mounts to trim for optimum performance and consistent lamp position
- Trim-Lok action forces trim to fit snugly against the ceiling

- Splay design optimally accommodates long neck Par30 lamps
- Adhesive backed, high-temperature acrylic gasket is placed on interior top portion of reflector to prevent the passage of water into socket

Labels

- UL-CUL wet location listed
- Rated IC and Non-IC

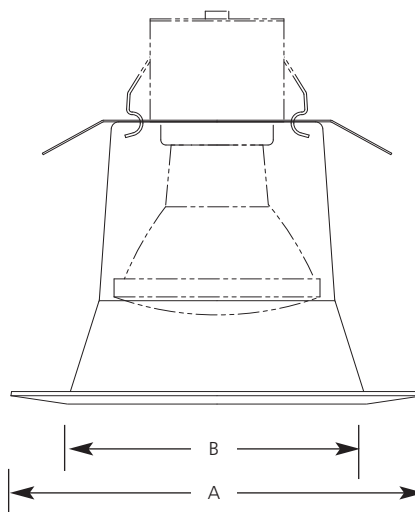
Photometrics

- Refer to PAR20 Lamp Application Data

\*Use only outdoor rated par lamps

Type \_\_\_\_\_  
 -09 -14 -28  
 P8041

Catalog No.	Finish			Dimensions (Inches)	
	Brushed Nickel	Brushed Copper	White	A	B
P8041	-09	-14	-28	5	4



Lamp Wattage	IC	Non-IC
<b>Housing</b>		
P830-TG	N/A	50w PAR20,R20
P832-TG	N/A	50w PAR20,R20
P831-AT	N/A	50w PAR20,R20
P831-FB	50w PAR20,R20	50w PAR20,R20

**Specifications:**

Flange

- Flange is brushed in same finish
- Integral to trim
- No light leaks around trim flange
- Covers irregular ceiling openings

Trim

- All aluminum construction
- Socket mounts to trim for optimum performance and consistent lamp position
- Trim is shipped with retention for solid mounting in housing
- Splay design optimally accommodates long neck Par20 lamps

Labels

- UL-CUL damp location listed
- Rated IC and Non-IC

Photometrics

- Refer to PAR20/r20 Lamp Application Data