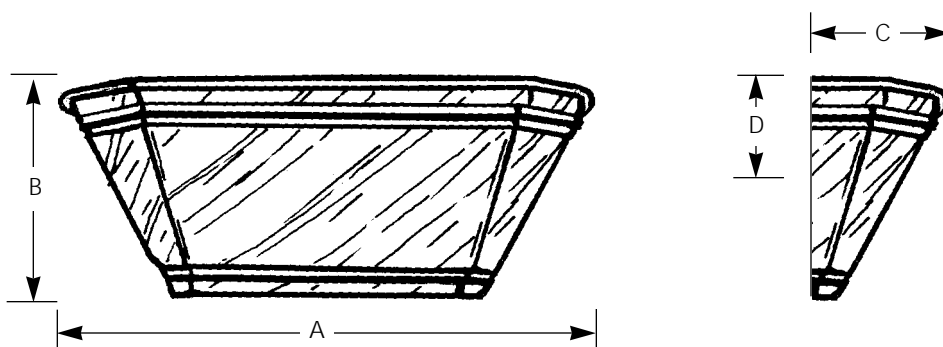


Type _____
 -51
 P7195

Catalog No.	Finish	Application	Dimensions (Inches)			
	Alabaster		A	B	C	D
P7195	-51	Use with wall box or back plate	15-1/2	7	2-7/8	4



Specifications:

General

- Faux Alabaster wall pocket
- Bevel cut design
- 3/8" cast acrylic base material
- Direct-indirect illumination
- Complies with Americans with Disabilities Act
- Locks in place for safety
- Interchangeable with other wall pockets diffusers

Mounting

- Wall mounted
- Horizontal mounting
- Must be used with wall box or back plate. See P3TG, P4TG or P7200-30.

Electrical

- Refer to wall box or back plate