



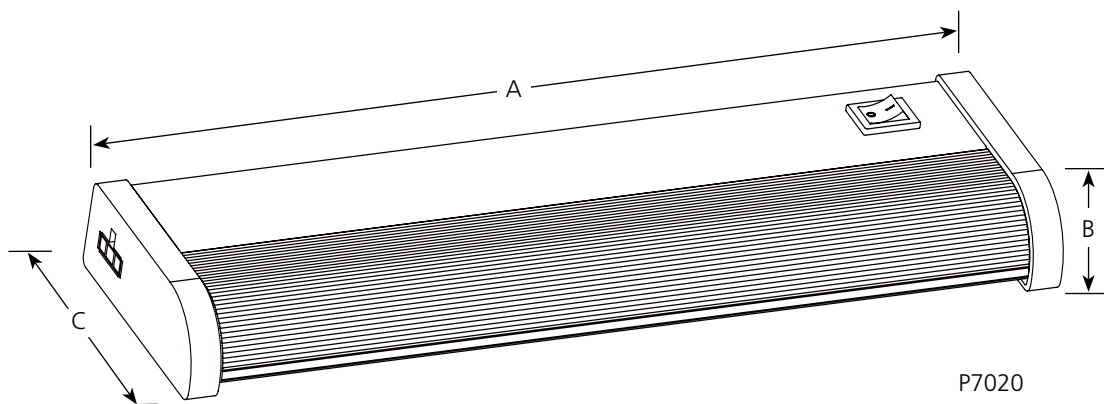
Linear Fluorescent

Hide-a-Lite3
Energy Star

Undercabinet

Type _____
-30EBWB
P7020
P7021
P7022
P7023

Catalog No.	Finish		Dimensions (Inches)		
	White	Lamping	A	B	C
P7020	-30EBWB	1-8w T5 (F8T5)	12-3/4	1-1/8	3-1/4
P7021	-30EBWB	1-13w T5 (F13T5)	21-3/4	1-1/8	3-1/4
P7022	-30EBWB	1-8w T5 (F8T5) & 1-13wT5 (F13T5)	34-1/4	1-1/8	3-1/4
P7023	-30EBWB	2-13w T5 (F13T5) Lamps are included	43-1/4	1-1/8	3-1/4



Specifications:

General

- Low profile design
- White acrylic diffuser snaps in place
- All units are linkable (see "Electrical")
- T5 linear fluorescent lamps (3000K) included
- Specular aluminum reflector behind the lamp to maximize the output
- Extruded aluminum housing with polycarbonate end caps
- Energy star certified

Mounting

- Horizontal (facing down or up) or vertical mounting
- Open keyslots allow quick installation on pre-installed screws.

Electrical

- All fixtures are electrically linkable by using plug-in linking cables and a special junction box (See below for ordering details)
- The hardwire P8740-XX junction box is used to power the HAL3 fixtures. It has a port to accept a 14/2 AWG Romex with ground and two ports with receptacles for plug in cables
- The plug in cables electrically connect the fixtures to each other and to the junction box. They are P8735-XX (6"), P8733-XX (12"), P8737-XX (18") and P8738-XX (24")
- On-off rocker switch installed
- 120v NPF Electronic ballast with end-of-life protection
- Prewired

Labeling

- CSA listed



Progress Lighting
701 Millennium Blvd.
Greenville, South Carolina
29607

www.progresslighting.com