



Compact Fluorescent

**6" Pro-Optic™ Housing
18W Quad Tube
2 Horizontal Lamps**

Recessed

Type _____

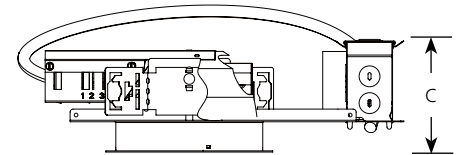
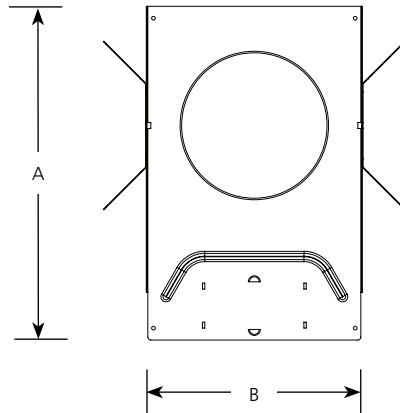
-EB

P68

Dimensions (Inches)

Catalog No.	Lamping	Dimensions (Inches)		
		A	B	C
P68-EB	(2) 18W Quad Tube	14	9-1/8	4-3/4*

* 5-3/4 depth for Lensed and Wall Wash
Ceiling Opening = 6-1/4
Maximum Ceiling Thickness = 1-1/4



• Trim must be ordered separately; P8030 trim shown above

Specifications:

Electrical

- Universal heavy gauge junction box with snap-out sides
- Grounding pigtail
- 1/2" & 3/4" pryouts for rigid or BX fittings
- 120/277v electronic HPF ballast
- Rated for 8 #12 90 degree conductors (4 in, 4 out)
- Thermal and end of life ballast protection

Construction

- 2 horizontal 18W GX24q-2 quad tube compact fluorescent
- Notched housing for chalkline or laser alignment
- Full wrap-around mounting frame
- Galvanized steel construction
- Trims adjust to accommodate 1/2" to 1-1/4" thick ceilings

Bar Hangers

- Light commercial bar hangers included
- Integral nailers for wood joist construction
- Integral T-bar mounting clamps
- Securely span 24" T-bar spacing
- Integral set screw lock to secure vertical housing position
- Captive and factory installed
- Galvanized steel
- Universal mounting brackets accept 1/2" EMT conduit or 1-1/2" or 3/4" lathing channel (by others)

Labeling

- UL and CUL listed for damp location and through branch wiring
- Non-IC rated

Lamp/Trim

- Socket box mounts securely to reflector for consistent lamp positioning and photometric performance
- Trim retention accomplished by use of 3 spring clips located inside aperture of frame in
- Order trim separately
- Internal emergency available for use with standard open P8030 and baffle P8031 trims only.

Options

- Remote emergency packs are available as options. Add 'EM' to end of sku number for internal emergency (MTO only).

Technical Data

Lamp	Ballast	Line			Min. Start Temp
		Lamp Base	Current Amps	Input Watts	
18w	120v	G24q-2	.33	39	0
18w	277v	G24q-2	.14	39	0

* Technical data is for two lamps.

Open

- P8030-28 Ptd. White
- P8030-21A Clear Alzak
- P8030-22A Gold Alzak
- P8030-17A Pewter Alzak
- P8030-61 Straw Alzak (MTO)
- P8030-64 Wheat Alzak (MTO)
- P8030-67 Haze Alzak (MTO)

Baffle

- P8031-28 Ptd. White
- P8031-31 Ptd. Black
- Lensed Wet Location**
- P8034-83 White Fresnel
- P8035-68 White Prismatic
- Wall Wash**
- P8032-21 Clear Alzak

Progress Lighting
701 Millennium Blvd.
Greenville, South Carolina 29607

www.progresslighting.com



Compact Fluorescent

6" Pro-Optic™ FireBox®
18w Horizontal Quad CFL
1-Hour Fire Resistant
Non-IC

Recessed

Type _____

-EBFB

P68

Dimensions (Inches)

A B C

13-1/4 9-9/16 9-1/16

Ceiling Opening = 6-7/8

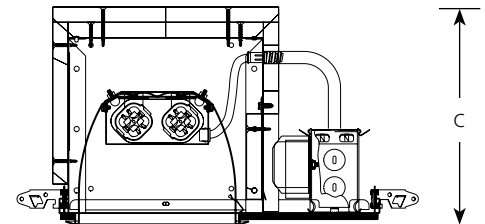
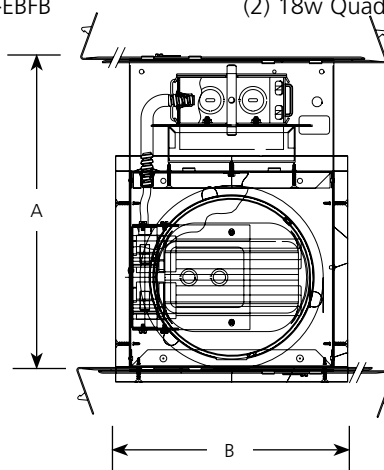
Maximum Ceiling Thickness = 1-1/8

Catalog No.

Lamping

P68-EBFB

(2) 18w Quad Tube



- Trim must be ordered separately; P8030 trim shown above

Specifications:

Electrical

- Universal heavy gauge junction box with snap-out sides
- Grounding pigtail
- 1/2" & 3/4" pryouts for rigid or BX fittings
- Rated for 8 #12 90-degree conductors (4 in, 4 out)
- 120/277v electronic HPF ballast with end of life protection

Construction

- 2 horizontal 18w Quad tube compact fluorescent G24q-2
- Notched housing for chalkline or laser alignment
- Trims adjust to accommodate 1/2" to 1-1/4" thick ceilings
- 6 pieces of UL Classified fire resistant gypsum board attached to recessed housing
- Fiberglass gasket on bottom of frame to minimize heat transfer into ceiling cavity

Bar Hangers

- Integral nailers for wood joist construction
- Integral T-bar mounting clamps
- Securely span 24" T-bar spacing
- Integral set-screw lock to secure housing
- Captive and factory installed
- 90-degree mounting for tight spaces
- Galvanized steel

Labeling

- UL/CUL listed for damp location and through branch wiring
- Non-IC rated
- UL Classified to maintain fire ratings of 1 hour or less for all L500 series fire rated ceiling/floor assemblies

Lamp/Trim

- Socket box mounts securely to re-reflector for consistent lamp positioning
- Lamps positioned in reflector to optimize photometric performance
- Trim retention accomplished by use of 3 spring clips located inside aperture of frame-in
- Trim must be ordered separately

Catalog #	Description	Line			
		Lamp Base	Current	Input Watts	Start Temp
P68-EBFB	120/277V Electronic	G24q-2	.33/14	39	0

* Technical data is for two lamps.

Progress Lighting
701 Millennium Blvd.
Greenville, South Carolina 29607

www.progresslighting.com

Patent# 6,357,891



Rev. 4/09