

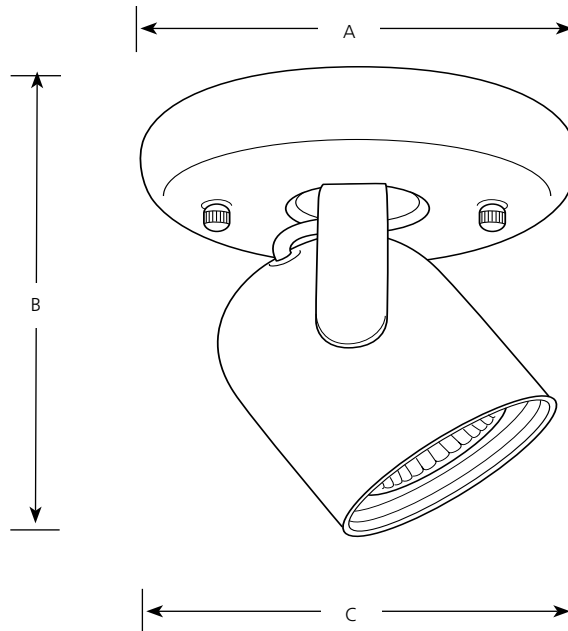


Incandescent

**Directionals**

Type \_\_\_\_\_  
 -09 -30 -174  
 P6144

Catalog No.	Finish			Lamping	Dimensions (Inches)		
	Brushed Nickel	White	Urban Bronze		A	B	C
P6144	-09	-30	-174	1-75w PAR30	5	7	5-1/2



**Specifications:**

General

- Solid round back style
- Plated Brushed Nickel (-09) and painted white (-30) and urban bronze (-174) finishes
- Complete with black plastic baffle
- 180 degree vertical and 360 degree horizontal adjustment
- Matching two lamp units available.
- Steel construction

Mounting

- Wall or ceiling mounted
- Canopy covers a standard recessed 4" octagonal outlet box
- Mounting strap for outlet box included

Electrical

- Ceramic medium based socket
- Pre-wired

Labeling

- UL-CUL listed

Progress Lighting  
 701 Millennium Blvd.  
 Greenville, South Carolina  
 29607

www.progresslighting.com

Rev. 11/07