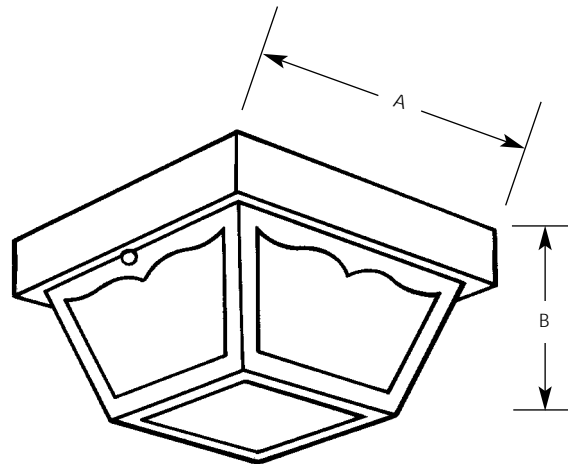


Type	_____	
	-30	-31
P5744	<input type="checkbox"/>	<input type="checkbox"/>
P5745	<input type="checkbox"/>	<input type="checkbox"/>

Catalog No.	Finish		Lamping	Dimensions (Inches)	
	White	Black		A	B
P5744	-30	-31	1-60w A19	8-1/4	4-3/4
P5745	-30	-31	2-60w A19	10-1/4	5-1/2



**Specifications:**

General

- White or Black finish
- One-piece white acrylic diffuser
- Polypropylene housing
- Polypropylene mounting plate
- Matching wall and post top units available

Electrical

- Medium ceramic based sockets
- Nickel plated brass screw shell

Labeling

- UL-CUL damp location listed

Mounting

- Ceiling mount
- Outlet box mounting strap and center lock-up hardware furnished
- Covers standard recessed outlet box
- Units cover surface-mounted "pancake" outlet box