

Type \_\_\_\_\_

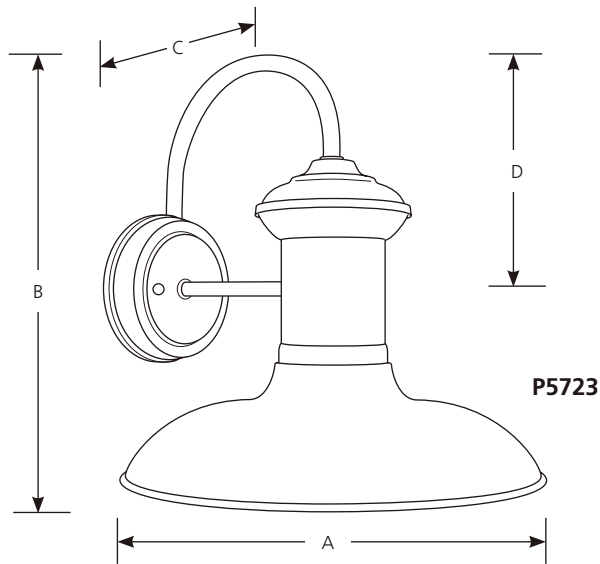
-14 -71 -81

P5721

P5722

P5723

Catalog No.	Finish			Lamping	Dimensions (Inches)			
	Copper	Gilded Iron	Antique-Nickel		A	B	C	D
P5721	-14	-71	-81	1 (m) 60w	8	9-3/4	9-3/4	5-3/4
P5722	-14	-71	-81	1 (m) 75w	10	10-3/4	11-3/4	6-1/2
P5723	-14	-71	-81	1 (m) 100w	12	12-3/8	13-1/8	6-7/8



**Specifications:**

General

- Antique Nickel (-81) unit is a plated finish over solid brass construction
- Gilded Iron (-71) is a painted finish over aluminum construction
- Copper (-14) is a natural finish over solid copper construction that ages to a patina finish
- Double arm attachment to back plate for stability
- RLM styling
- Inner reflector is painted white for maximum light output

Mounting

- Wall mounted
- Back plate covers a standard 4" hexagonal recessed outlet box
- Mounting hardware furnished

Electrical

- Prewired
- Medium based ceramic socket nickel plated brass screw shell

Labeling

- UL-CUL wet location listed