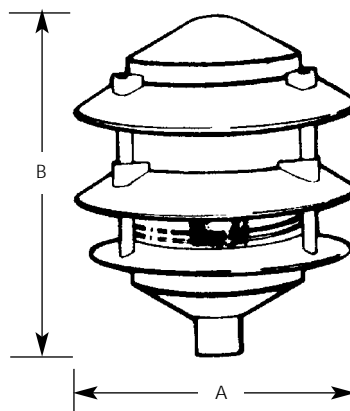


Type _____
 -31 -38
 P5219

Catalog No.	Finish		Lamping	Dimensions (Inches)	
	Black	Green		A	B
P5219	-31	-38	1-12v T5 18w	6	7



Specifications:

General

- Pagoda three tier style
- Clear glass liner
- Painted Black (-31) or Green (-38) finish
- Lamp replacement by removing the roof
- Aluminum construction

Mounting

- Mounts on stem, or box (order separately)
- Stake P8618-31 (included)
- 1/2 NPS thread

Electrical

- Wedge base socket
- 36" of wire furnished for connection to source
- T5 18w lamp included
- Units must be wired to approved 12v transformer of proper capacity
- Connector (P8651-31R) included
- Recommend P8673-31R connectors or equal

Labeling

- UL-CUL wet location listed