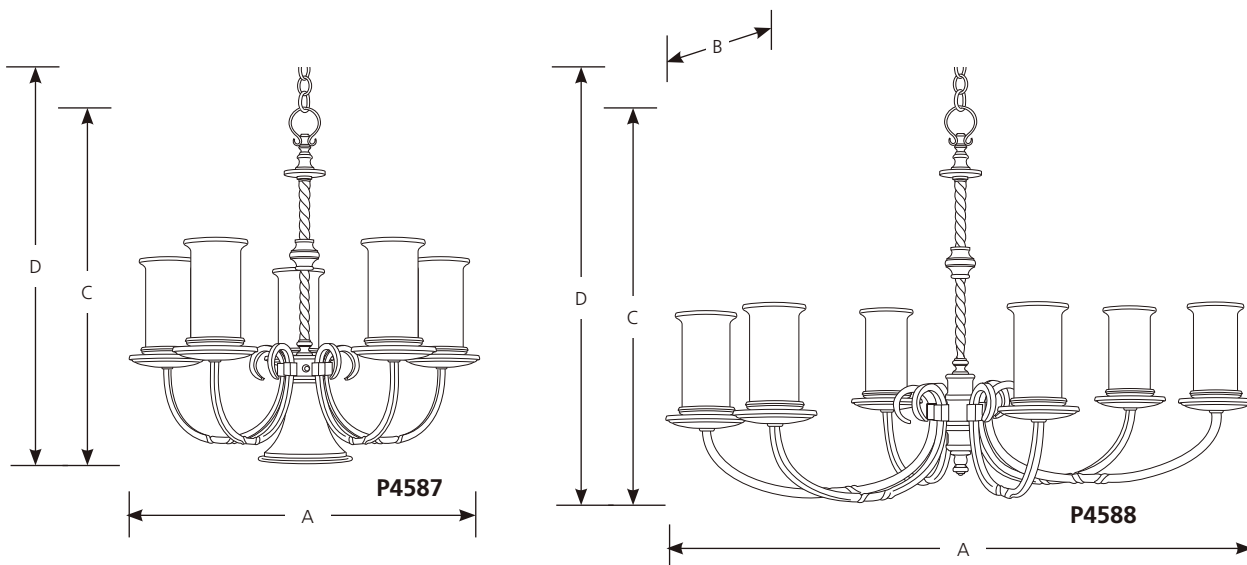


| Catalog No. | Finish | | | Lamping | Dimensions (Inches) | | | |
|-------------|--------|---------|---------|-----------------------------|---------------------|----|--------|----|
| | Forged | Roasted | Antique | | A | B | C | D |
| | Black | Java | Pewter | | | | | |
| P4586 | -80 | -102 | -103 | 3 (c) 60w | 18 | NA | 17 | 92 |
| P4587 | -80 | -102 | -103 | 5 (c) 60w & 1 (m) 50 R20 | 24-1/4 | NA | 23 | 98 |
| P4588 | -80 | -102 | -103 | 6 (c) 60w | 37-7/8 | 26 | 24-3/8 | 99 |

| Type | -80 | -102 | -103 |
|-------|--------------------------|--------------------------|--------------------------|
| P4586 | <input type="checkbox"/> | <input type="checkbox"/> | <input type="checkbox"/> |
| P4587 | <input type="checkbox"/> | <input type="checkbox"/> | <input type="checkbox"/> |
| P4588 | <input type="checkbox"/> | <input type="checkbox"/> | <input type="checkbox"/> |



Specifications:

General

- Jasmine mist glass shades
- Uplight style
- P4588 is an oval chandelier (top view)
- Scrolled square arms
- Spiraled center column
- Painted finishes
- 6 feet of 9 gauge chain supplied
- Steel Construction
- Companion chandeliers, hall and foyer, wall bracket, close to ceiling, and bath and vanity units
- P4587 has a switch for the downlight

Mounting

- Ceiling chain mounted
- Canopy covers a standard 4" hexagonal outlet box
- Mounting strap for outlet box included

Electrical

- Phenolic candelabra based sockets. Downlight in P4587 has a ceramic medium based socket
- 15 feet of wire supplied
- Pre-wired

Labeling

- UL-CUL listed