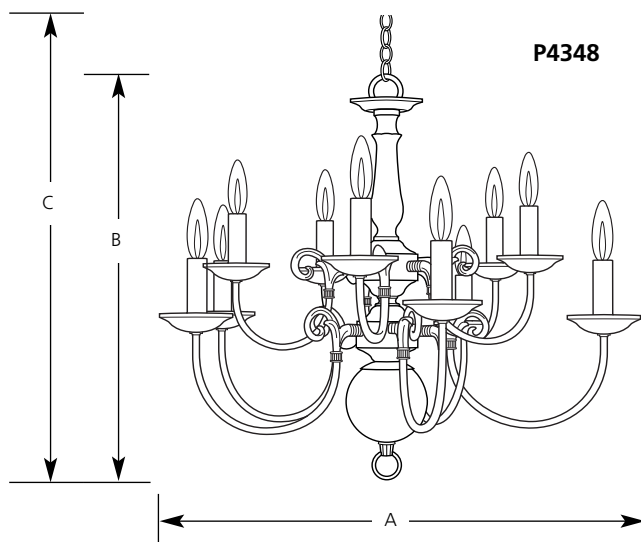
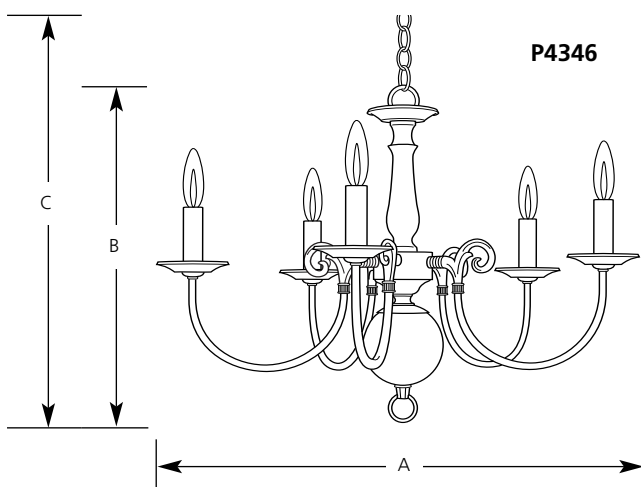


Type	-09	-10	-20
P4346	<input type="checkbox"/>	<input type="checkbox"/>	<input type="checkbox"/>
P4347	<input type="checkbox"/>	<input type="checkbox"/>	<input type="checkbox"/>
P4348	<input type="checkbox"/>	<input type="checkbox"/>	<input type="checkbox"/>

Catalog No.	Finish			Lamping	Dimensions (Inches)		
	Brushed Nickel	Polished Brass	Antique Bronze		A	B	C
P4346	-09	-10	-20	5 (c) 60w	23-1/2	16-3/4	53
P4347	NA	-10	NA	6 (c) 60w	23-1/2	16-3/4	53
P4348	NA	-10	NA	10 (c) 60w	23-1/2	21	58



Specifications:

General

- Complete Williamsburg design with separate ball and loop
- Cast arm backs
- Steel construction
- Includes three feet of 9 gauge chain
- Companion fixture: Wall Bracket

Mounting

- Chain-hung ceiling
- Covers outlet box
- Mounting strap for outlet box included
- Canopy 5-3/8" dia.

Electrical

- 11 feet of wire
- Candelabra sockets
- White candle covers
- Pre-wired

Labeling

- UL-CUL listed