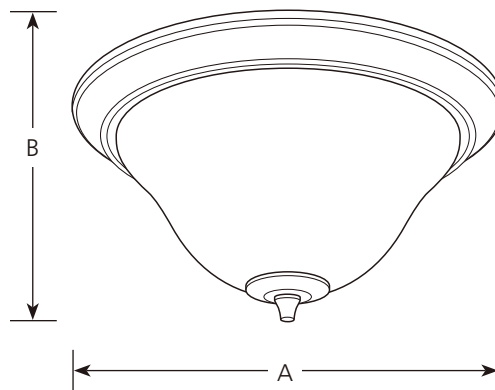


Type _____

-77

P3853

Catalog No.	Finish Forged Bronze	Lamping	Dimensions (Inches)	
			A	B
P3853	-77	2 (m) 75w	15	6-7/8



Specifications:

General

- Seeded topaz glass bowl (12" dia., 4-3/4" ht.)
- Hand painted forged bronze finish
- Steel construction
- Companion chandelier, hall and foyer, wall bracket, close to ceiling, pendant, and bath and vanity units

Electrical

- Ceramic medium based sockets
- Pre-wired

Labeling

-  c_{us} "Damp Location" listed

Mounting

- Surface mounted
- Unit covers a standard 4" hexagonal outlet box
- Mounting strap for outlet box included