



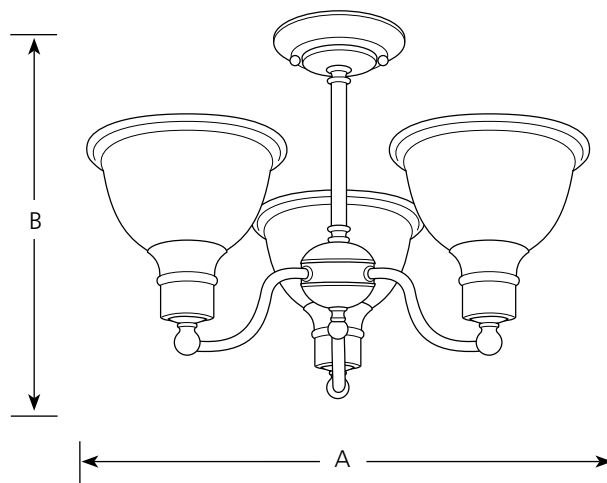
Incandescent

Madison

Close to Ceiling

Type _____
 -09 -20 -33
 P3663

Catalog No.	Finish			Lamping	Dimensions (Inches)	
	Brushed Nickel	Antique Bronze	Cobblestone		A	B
P3663	-09	-20	-33	3 (m) 75w	20-3/4	14



Specifications:

General

- Reversible construction - Shades up or down
- Semi-flush design
- Etched glass shades
- Concealed glass shade retention
- Built in stop allows only 180 degree rotation
- Self retaining design holds arms in place
- Steel construction
- Plated brushed nickel (-09) finish. Painted antique bronze (-20) and cobblestone (-33) finishes
- Companion chandeliers, hall and foyer, pendant, close to ceiling, and bath & vanity units

Mounting

- Direct ceiling mounted
- Canopy covers a standard recessed 4" octagonal outlet box
- Mounting strap for outlet box included

Electrical

- Ceramic medium based sockets
- Pre-wired

Labeling

- UL-CUL listed

Progress Lighting
 701 Millennium Blvd.
 Greenville, South Carolina
 29607

www.progresslighting.com

Rev. 2/09