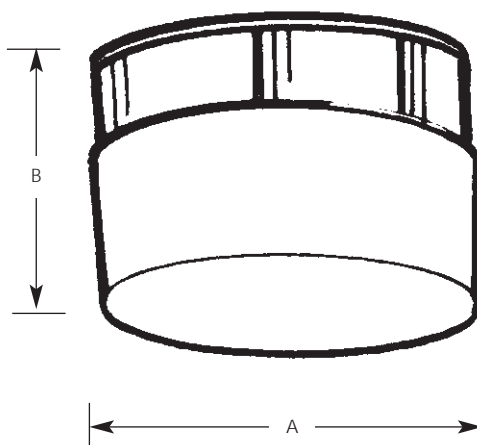


Type \_\_\_\_\_  
 -30  
 P3516

Catalog No.	Finish White	Lamping	Dimensions (Inches)	
			A	B
P3516	-30	1 (m) 60w	6-3/4	4-3/4



**Specifications:**

General

- Steel construction
- White glass
- Glass snaps into fitter pan for easy maintenance
- No fitter screws required

Mounting

- Ceiling mount
- Covers outlet box
- Mounting strap for outlet box included
- Keyhole slots for easy fixture mounting

Electrical

- Requires 90-degree supply wire connections
- Medium based phenolic sockets
- Pre-wired

Labeling

- UL-CUL Dry Location listed