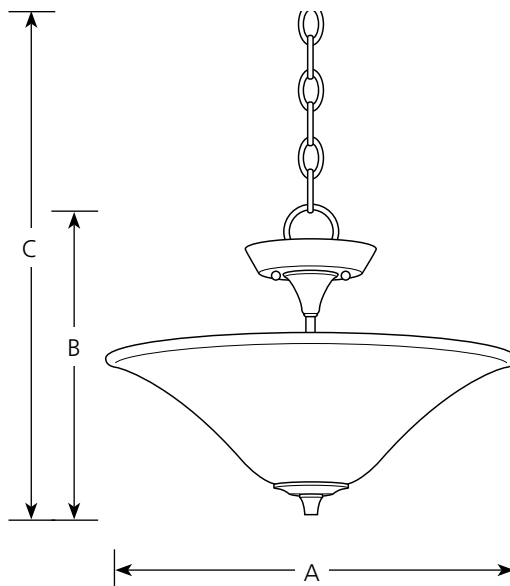


Type \_\_\_\_\_  
 -77  
 P3440

Catalog No.	Finish Forged Bronze	Lamping	Dimensions (Inches)		
			A	B	C
P3440	-77	2 (m) 75w	15-3/4	10	86



**Specifications:**

General

- Seeded topaz glass bowl (15-3/4" dia., 5" ht.)
- Convertible unit, can be chain or surface (semi-flush) mounted
- Six feet of 9 gauge chain supplied
- Hand painted forged bronze finish
- Steel construction
- Companion chandelier, hall and foyer, wall bracket, close to ceiling, pendant, and bath and vanity units

Mounting

- Ceiling chain or surface mounted
- Canopy covers a standard 4" hexagonal outlet box
- Mounting strap for outlet box included

Electrical

- Ceramic medium based sockets
- 15 feet of wire
- Pre-wired

Labeling

-  c-us "Damp Location" listed