

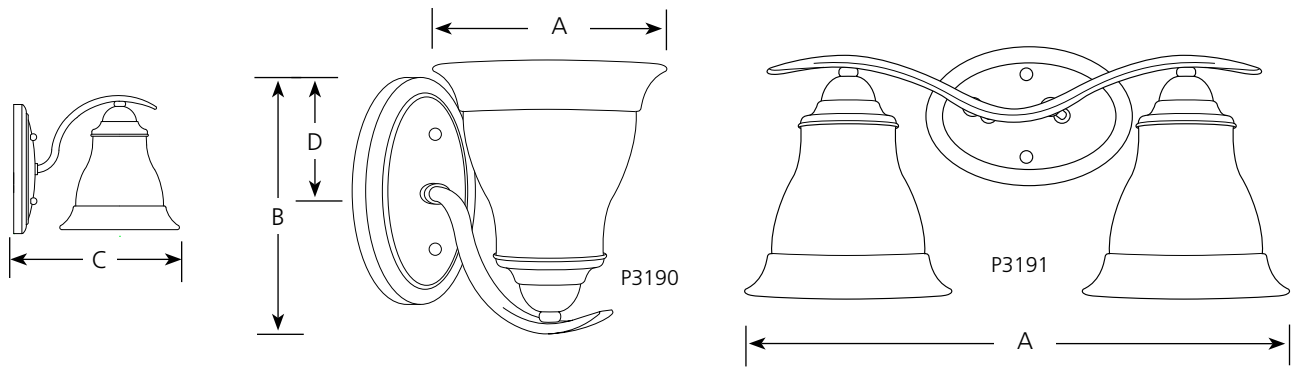
Type _____
 -09 -10 -15 -20 -33

P3190	<input type="checkbox"/>	<input type="checkbox"/>	<input type="checkbox"/>	<input type="checkbox"/>	<input type="checkbox"/>
P3191	<input type="checkbox"/>	<input type="checkbox"/>	<input type="checkbox"/>	<input type="checkbox"/>	<input type="checkbox"/>
P3192	<input type="checkbox"/>	<input type="checkbox"/>	<input type="checkbox"/>	<input type="checkbox"/>	<input type="checkbox"/>
P3193	<input type="checkbox"/>	<input type="checkbox"/>	<input type="checkbox"/>	<input type="checkbox"/>	<input type="checkbox"/>

Finish

Dimensions (Inches)

Catalog No.	Brushed Nickel	Polished Brass	Polished Chrome	Antique Bronze	Cobblestone	Lamping	Dimensions (Inches)			
							A	B	C	D
P3190	-09	-10	-15	-20	-33	1 (m) 100w	6-1/2	7-1/2	9	3-1/2
P3191	-09	-10	-15	-20	-33	2 (m) 100w	17-1/4	8-1/8	7-3/8	5-3/4
P3192	-09	-10	-15	-20	-33	3 (m) 100w	24	8-1/8	7-3/8	5-3/4
P3193	-09	-10	-15	-20	-33	4 (m) 100w	33-1/4	8-1/8	7-3/8	5-3/4



Specifications:

General

- Etched glass shades with slight banding, 6-1/2" dia. x 5-1/2" H, 1-5/8" dia. center hole
- Oval tubing with pinched ends
- Brushed Nickel (-09), Polished Brass (-10) and Polished Chrome (-15) finishes are plated
- Antique Bronze (-20) and Cobblestone (-33) are hand painted
- Steel construction
- Companion chandelier, hall and foyer, pendant, close to ceiling, and wall bracket units

Mounting

- Wall mounted
- Oval backplates
 - P3190: 4-3/4" W x 7-1/2" H x 1-1/8" deep
 - P3191, P3192, P3193: 7" W x 4-3/4" H x 1-1/8" deep
- Canopy covers a standard 4" hexagonal outlet box
- Mounting strap for outlet box included

Electrical

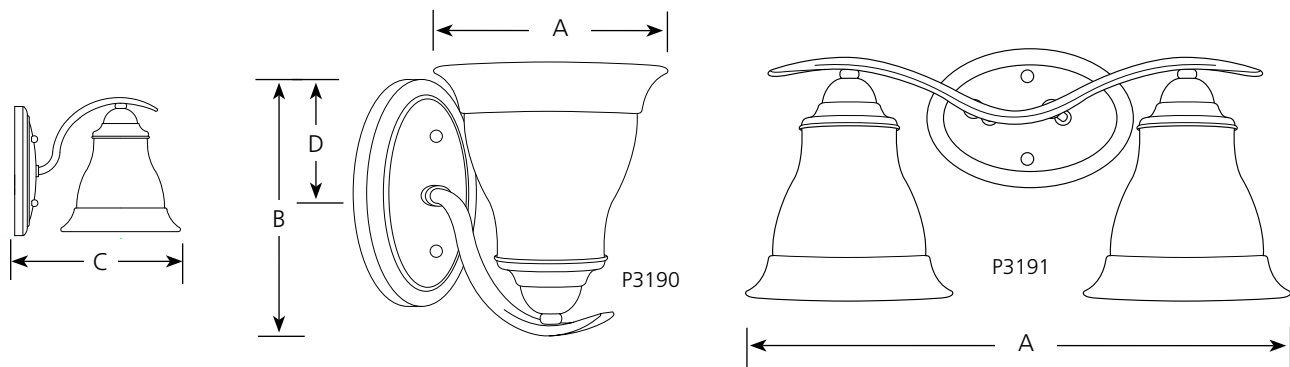
- Ceramic medium based sockets
- Pre-wired

Labeling

- UL-CUL damp location listed

Catalog No.	Finish		Lamping	Dimensions (Inches)			
	Brushed Nickel	Antique Bronze		A	B	C	D
P3190	-09EBWB	-20EBWB	1 13w GU24 CFL	6-1/2	7-1/2	9	3-1/2
P3191	-09EBWB	-20EBWB	2 13w GU24 CFL	17-1/4	8-1/8	7-3/8	5-3/4
P3192	-09EBWB	-20EBWB	3 13w GU24 CFL	24	8-1/8	7-3/8	5-3/4
P3193	-09EBWB	-20EBWB	4 13w GU24 CFL	33-1/4	8-1/8	7-3/8	5-3/4

Type	Bath & Vanity	
	-09EBWB	-20EBWB
P3190	<input type="checkbox"/>	<input type="checkbox"/>
P3191	<input type="checkbox"/>	<input type="checkbox"/>
P3192	<input type="checkbox"/>	<input type="checkbox"/>
P3193	<input type="checkbox"/>	<input type="checkbox"/>



Specifications:

General

- Etched glass shades with slight banding, 6-1/2" dia. x 5-1/2" H, 1-5/8" dia. center hole
- Oval tubing with pinched ends
- Brushed Nickel (-09) is plated
- Antique Bronze (-20) is hand painted
- Steel construction
- Companion chandelier, hall and foyer, pendant, close to ceiling, and wall bracket units

Mounting

- Wall mounted
- Oval backplates
 - P3190: 4-3/4" W x 7-1/2" H x 1-1/8" deep
 - P3191, P3192, P3193: 7" W x 4-3/4" H x 1-1/8" deep
- Canopy covers a standard 4" hexagonal outlet box
- Mounting strap for outlet box included

Electrical

- GU24 base socket(s)
- Pre-wired

Labeling

- UL-CUL damp location listed