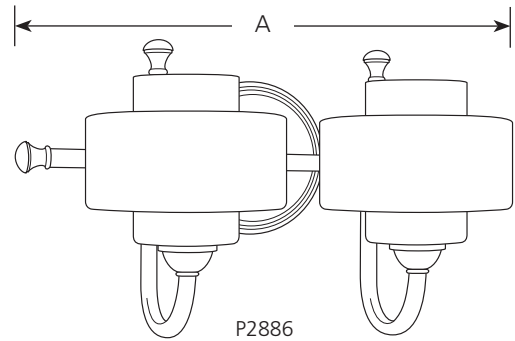
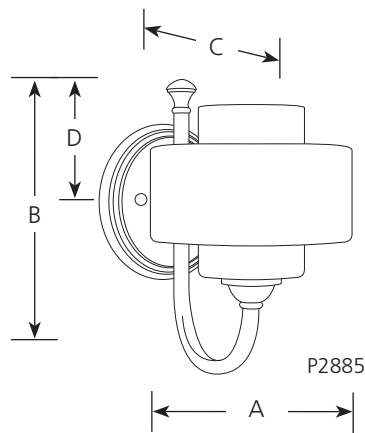


Type _____
-134WB

- P2885
- P2886
- P2887
- P2888

Catalog No.	Finish Silver Ridge	Lamping	Dimensions (Inches)			
			A	B	C	D
P2885	-134WB	1 (c) 60w	6	9	8	5-1/2
P2886	-134WB	2 (c) 60w	16	9	8	5-1/2
P2887	-134WB	3 (c) 60w	23-1/2	9	8	5-1/2
P2888	-134WB	4 (c) 60w	31	9	8	5-1/2



Specifications:

General

- Traditional style with a modern twist
- Curving Details highlighted by Silver Ridge finish
- Unique double drum glass shades with linen finish glass
- Can be mounted in the "up" or "down" position
- Companion fixtures: Chandeliers, pendant, sconce, and close to ceiling

Mounting

- Wall mount
- Round Backplate covers a standard 4" octagonal recessed outlet box

Electrical

- Pre-wired
- Candelabra based sockets

Labeling

- UL-CUL damp location listed