

Type _____

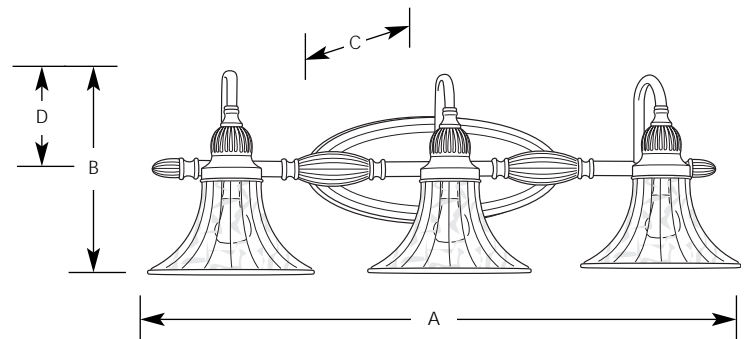
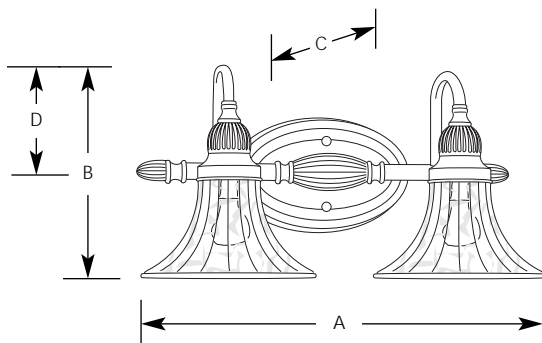
-101

P2726

P2727

P2728

Catalog No.	Finish	Lamping	Dimensions (Inches)			
	Classic Silver		A	B	C	D
P2726	-101	2 (m) 100w	16-1/2	8-5/8	7-3/4	4-1/2
P2727	-101	3 (m) 100w	26	8-5/8	7-3/4	4-1/2
P2728	-101	4 (m) 100w	35-1/2	8-5/8	7-3/4	4-1/2



Specifications:

General

- Clear crystal fluted shades
- Curved arms with ribbed bobeches
- Clear crystal accents
- Oval back plate
- Can be mounted in the "up" or "down" position
- Plated classic silver finish
- Steel Construction
- Companion chandelier, hall and foyer, wall bracket, pendant, and close to ceiling units

Mounting

- Wall mounted.
- Back plate covers a standard 4" hexagonal outlet box
- Mounting strap for outlet box included

Electrical

- Ceramic medium based sockets
- Threaded socket ring secures glass
- Pre-wired

Labeling

- UL-CUL damp location listed