

Assembly & Installation Instructions

CAUTION: Read instructions carefully and turn electricity off at main fuse box before beginning installation.

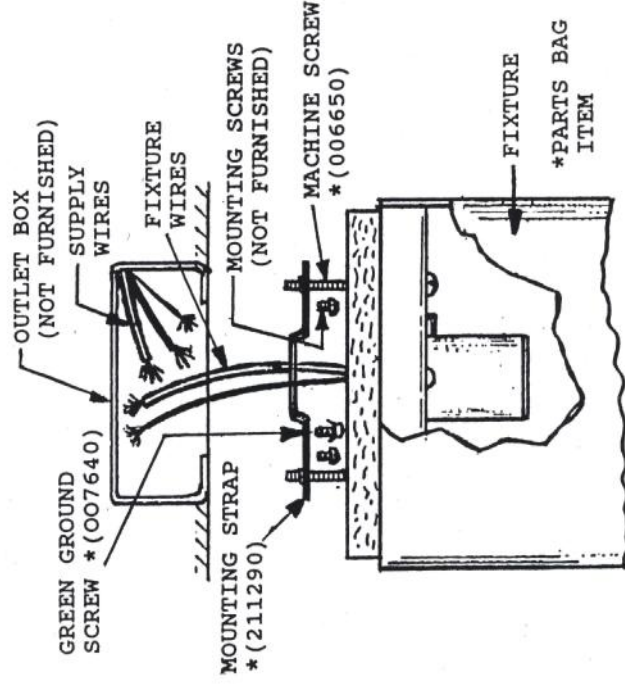
5741

WARNING - If any special control devices are used with this fixture, follow the instructions carefully, to assure full compliance with N.E.C. requirements. If there are any questions, contact a qualified Electrical Contractor.

WARNING - The edge of the wall plate must be sealed to the wall with a permanent waterproof material (Latex, Silicone, Urethane, etc.) to comply with U.L. requirements.

WARNING: RISK OF FIRE

FOR SUPPLY CONNECTIONS, USE WIRE RATED FOR AT LEAST 90°C. MOST DWELLINGS BUILT BEFORE 1985 HAVE SUPPLY WIRE RATED FOR 60°C. CONSULT A QUALIFIED ELECTRICIAN BEFORE INSTALLING.



- 1-Fasten MOUNTING STRAP to OUTLET BOX with MOUNTING SCREWS from OUTLET BOX. Thread MACHINE SCREWS and GREEN GROUND SCREW up into MOUNTING STRAP.
- 2-Connect GROUND WIRE from OUTLET BOX to MOUNTING STRAP with GREEN GROUND SCREW. Connect WHITE FIXTURE WIRE to WHITE SUPPLY WIRE. Connect BLACK FIXTURE WIRE to BLACK SUPPLY WIRE. Use U.L. listed WIRENUTS (not furnished) to make connections.
- 3-Slip FIXTURE up over MACHINE SCREWS, twist in keyhole slots and secure to ceiling by tightening SCREWS. (SEE WARNING ABOVE)
- 4- Install LAMP (not furnished).

CAUTION: All glass is fragile. Use care when handling LAMP.

