

**5210**

NOTE: IF PROGRESS 5233 SPIKE is used, slip NIPPLE up over FIXTURE WIRES and thread it firmly up into the FIXTURE BODY. Trim FIXTURE WIRES to extend 6" beyond end of NIPPLE and strip ends 1/2 inch. Attach FIXTURE BODY to SPIKE and make wiring connections according to instructions furnished with SPIKE. Proceed to INSTRUCTION #4 below.

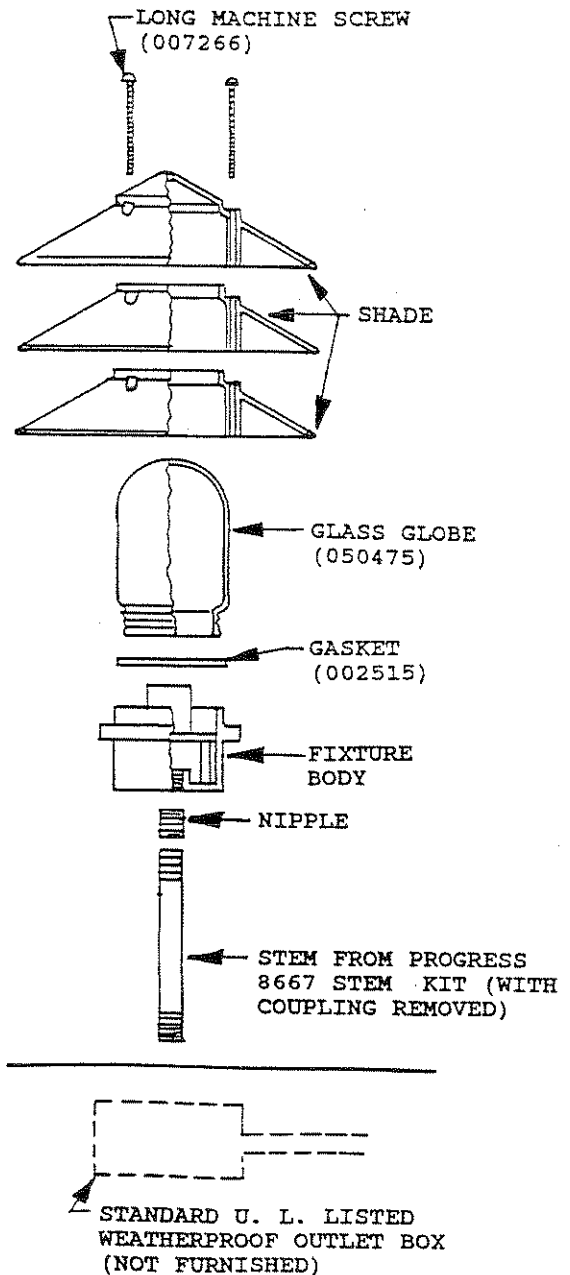
- 1- Disassemble FIXTURE by removing three (3) LONG MACHINE SCREWS and three SHADES. Remove GLASS GLOBE and GASKET.

CAUTION: All GLASS is fragile, use care when handling ASSEMBLED FIXTURE, GLASS GLOBE, and LAMP.

- 2- Slip FIXTURE WIRES down through NIPPLE (or STEM) and thread NIPPLE (or STEM) firmly up into FIXTURE BODY.
- 3- Slip FIXTURE WIRES into a STANDARD U. L. LISTED WEATHER-PROOF OUTLET BOX, installed in accordance with the NATIONAL ELECTRICAL CODE and all LOCAL CODES. Thread NIPPLE (or STEM) firmly into OUTLET BOX.
- 4- Connect BARE FIXTURE GROUND WIRE to GROUND WIRE from OUTLET BOX. Connect WHITE FIXTURE WIRE to WIRE SUPPLY WIRE. Connect BLACK FIXTURE WIRE to BLACK SUPPLY WIRE. Use U. L. listed WIRENUTS (not furnished) to make connections. Close and seal OUTLET BOX according to BOX instructions and LOCAL CODES.

NOTE: All threaded connections must be sealed with SILICONE sealant (RTV).

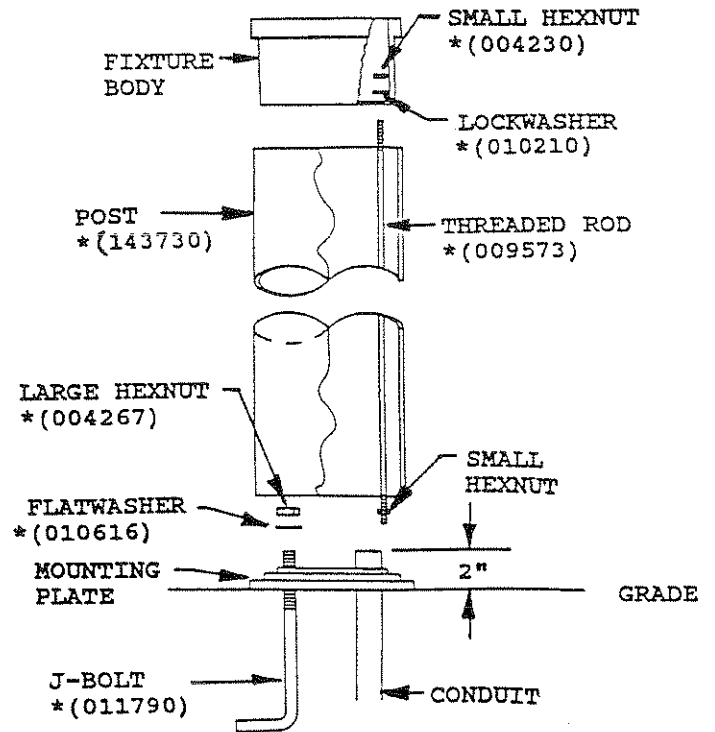
- 5- Install LAMP (not furnished) and replace GASKET and GLASS GLOBE.
- 6- Replace SHADES on FIXTURE BODY and secure in place with LONG MACHINE SCREWS.



(OVER)

## BOLLARD MOUNTING

- 1- Install J-BOLTS & ELECTRICAL CONDUIT using MOUNTING PLATE as a TEMPLATE. BOLTS and CONDUIT must extend 2" above GRADE. SUPPLY WIRES must extend 36" above GRADE.
- 2- Set MOUNTING PLATE down over J-BOLTS and secure in place with one (1) FLATWASHER and LARGE NUT for each J-BOLT.
- 3- Thread one SMALL HEXNUT onto one end of each THREADED ROD. Thread this end of ROD into MOUNTING PLATE and secure in place by threading NUT firmly down against PLATE. Slip POST down onto PLATE.
- 4- Connect BARE FIXTURE GROUND WIRE to GROUND WIRE from SUPPLY. Connect WHITE FIXTURE WIRE to WHITE SUPPLY WIRE. Connect BLACK FIXTURE WIRE to BLACK SUPPLY WIRE. Use U. L. listed WIRENUTS (not furnished) to make connections.
- 5- Slip FIXTURE BODY down over THREADED RODS and into POST. Secure in place with one (1) LOCKWASHER and SMALL HEXNUT for each ROD. Finish installation by following instructions #5 and #6 on front of this sheet.



\*FURNISHED WITH PROGRESS  
5312 BOLLARD KIT