



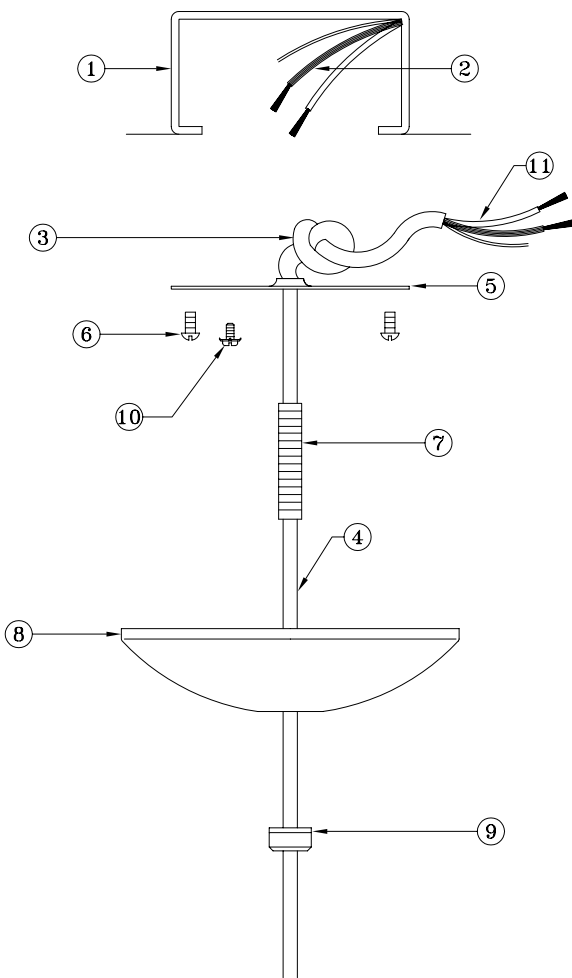
Assembly & Installation Instructions

CAUTION: Read instructions carefully and turn electricity off at main circuit breaker panel before beginning installation.

5094

WARNING - IF ANY SPECIAL CONTROL DEVICES ARE USED WITH THIS FIXTURE, FOLLOW THE INSTRUCTIONS CAREFULLY TO ASSURE FULL COMPLIANCE WITH N.E.C. REQUIREMENTS. IF THERE ARE ANY QUESTIONS, CONTACT A QUALIFIED ELECTRICAL CONTRACTOR.

WARNING - This product contains chemicals known to the State of California to cause cancer, birth defects and /or other reproductive harm. Thoroughly wash hands after installing, handling, cleaning, or otherwise touching this product.



- 1.- Fasten Mounting Strap (5) to Outlet Box (1) with Mounting Screws (6) from Outlet Box (1).
- 2.- Thread Nipple (7) and Green Ground Screw (10) into Mounting Strap (5).
- 3.- Slip Capnut (9) (OPEN SIDE UP), and Canopy (8) down over Cord (4).
- 4.- Slip Cord (4) through Nipple (7) and tie a Knot (3) at height at which fixture is to hang.
- 5.- Connect Fixture Wires (11) to Supply Wires (2) as shown on wiring diagram.
- 6.- Raise Canopy (8) to ceiling and secure in place with Capnut (9).
- 7.- Install Lamp (NOT FURNISHED).

CAUTION: All GLASS IS FRAGILE, USE CARE WHEN HANDLING LAMP.

