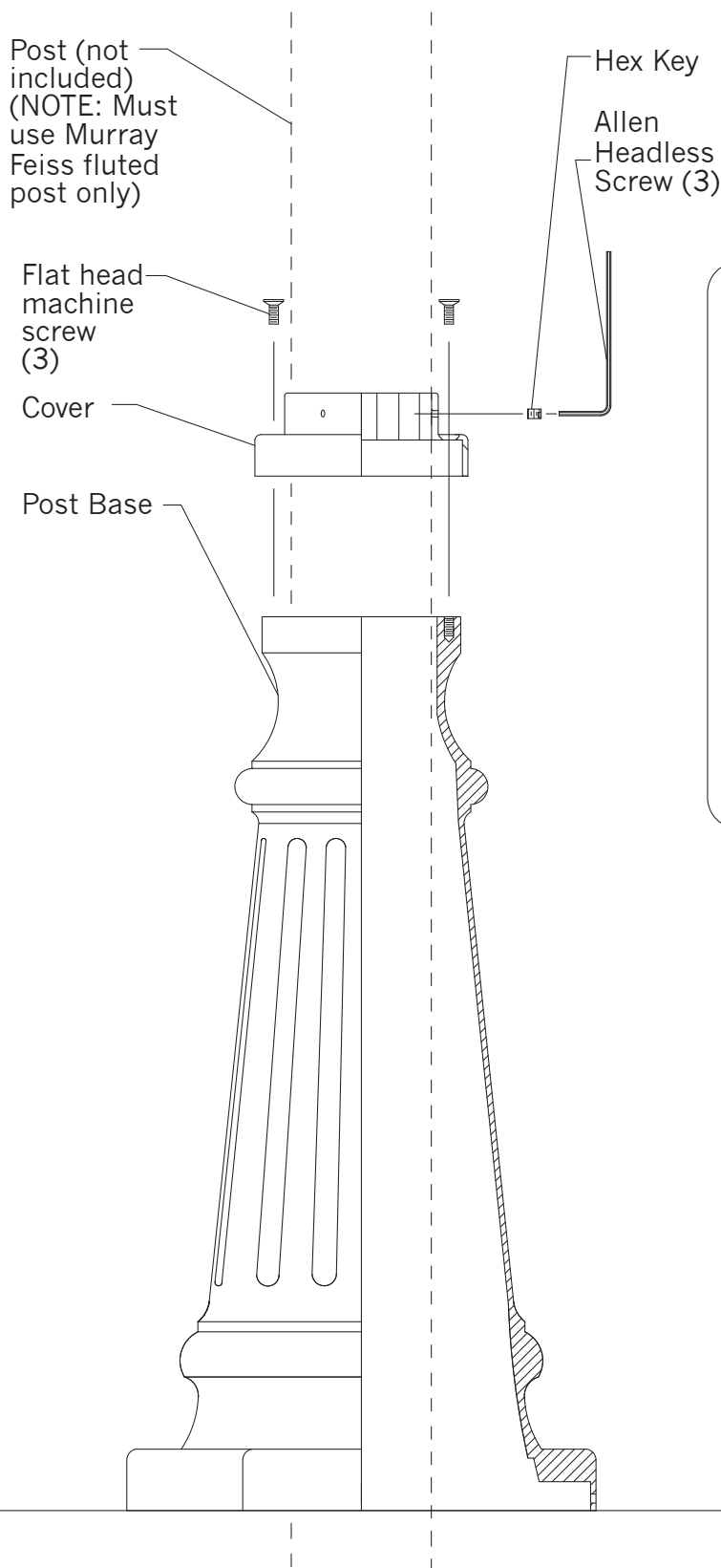


# POST BASE (E) 12/11



**IMPORTANT:**  
This decorative slip-on post base is designed to only fit Murray Feiss fluted post.

Carefully unpack and identify all parts before beginning assembly. Post not included.

1. After post (not included) has been fixed onto ground and before installing any lantern, slip down post base thru post.
2. Slip down cover thru post.
3. Lock cover onto post base by fastening with enclosed flat head machine screws.
4. Lock assembled post base onto post by fastening with enclosed allen headless screws. Use hex key to tighten screws.