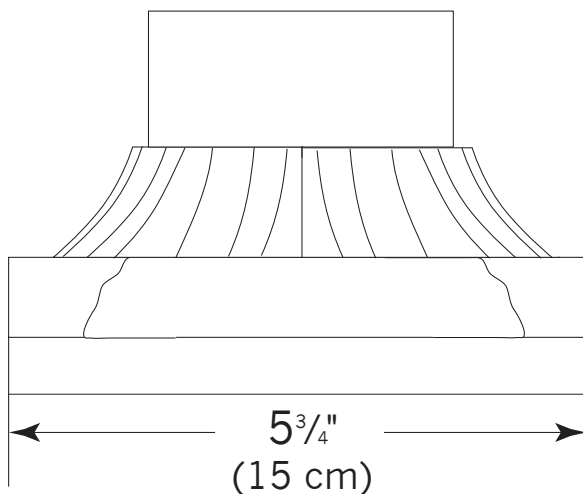
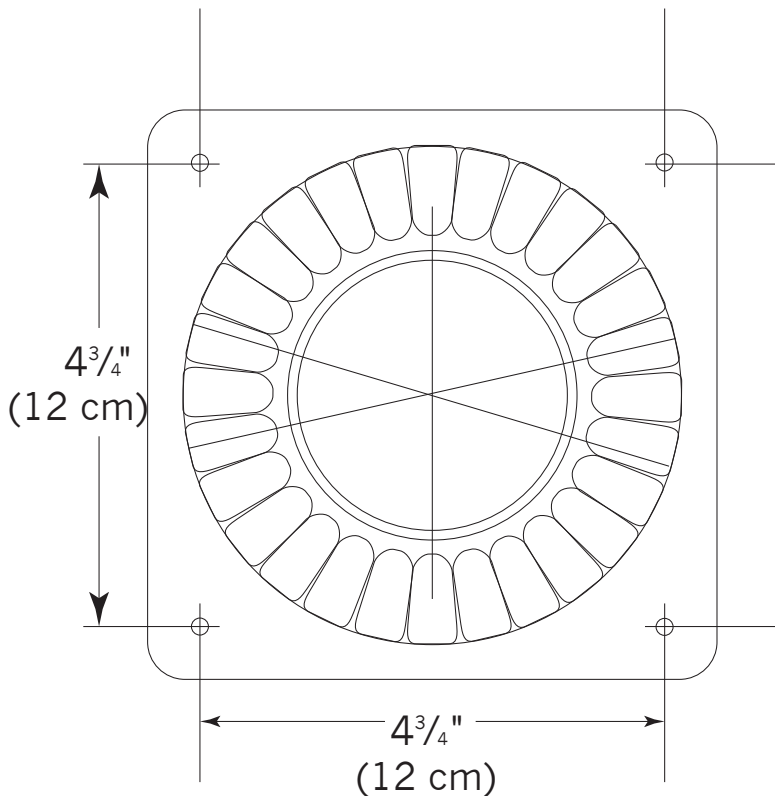


PIER MT

(E) 12/11



**IMPORTANT:
TURN OFF POWER AT MAIN FUSE OR CIRCUIT
BREAKER BOX BEFORE STARTING
INSTALLATION.**

Instructions for Mounting
Pier Mount Fixtures
Outdoors and / or in Wet Locations:

1. Mounting surface should be clean, dry, flat and 1/4" (6 mm) larger than the base of the Pier Mount on all sides. Any gaps between the mounting surface and the pier mount base edges exceeding 3/16" (5 mm) should be corrected as required.
2. Pier mount should be secured with four 1/4" (6mm) bolts and the correct anchors (not provided) as needed for attaching bolts into mounting surface material. Mounting holes located approximately 4-3/4" (12 cm) apart.
3. With silicone caulking compound, caulk completely around the base edges of the Pier Mount where it meets the mounting surface to prevent water from seeping under base.
4. All electrical connections and grounding should be done following the instructions sheet included with the fixture.
5. After wiring and grounding connection is completed then secure the fixture to the pier mount. Pilot holes need to be located to match the holes provided in the base cup of the fixture that fits onto the pier mount. Install sheet metal screws (not provided) to secure fixture to pier mount.
6. If you are not certain how to install this fixture and make all electrical connections properly, consult a qualified electrician or technician before completing installation.