

# ASSEMBLY INSTRUCTIONS FOR 4019 OL

- A. Find a clear area in which to work and carefully unpack the fixture from the carton.
- B. Read through all instruction sheets provided prior to starting assembly.

## Fixture assembly:

During assembly please reference page 2 for parts indentification.

1. Slip center rod (2) along wire and thread it into coupler (D).
2. Slip scroll assembly (3) onto center stem (2).
3. Slip cup (4) followed by washer (5) and spacer (6).
4. Slid loop (7) along wire and thread onto end of center stem (2). DO NOT tighten loop.
5. Using the Armspread drawing below as reference gently position arms in the following order.
  - A. The small top tier A arms are to be equally spaced 120 degrees apart.
  - B. The middle tier arms (B) are to be equally spaced 60 degrees apart. Making sure the top tier (A) are equally spaced between every other (B) arm.
  - C. The bottom tier large arms (C) are to be equally spaced 60 degrees apart, between the middle tier arms (B).
 Arms are now in there correct position.
6. Take the uprights (8) and attach one end to the top of the lower arm scroll (E), using the ball knob screws (9) provided.
7. Adjust the top scroll assembly (3) so the arms (F) line up with the uprights (8), tighten loop to secure in position.
8. Attach the top of the uprights (8) to the scroll assembly arms (F), using ball knob screws (9) provided.

Fixture is ready for installation. Please follow all mounting instructions provided.

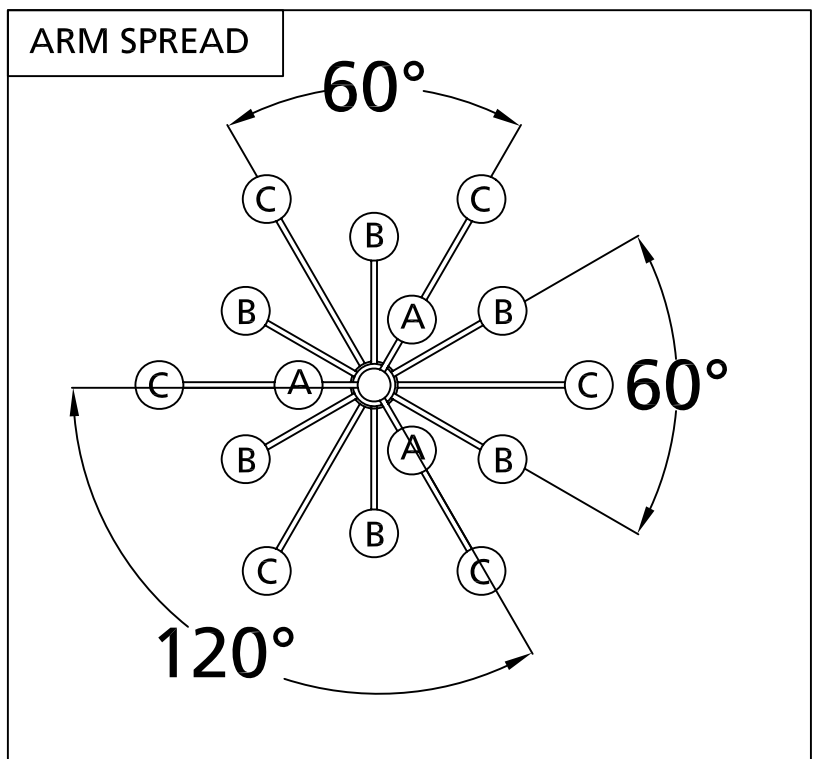
\* Turn off power supply during installation

\* If new wiring is required, consult a qualified electrician or local authorities for code requirements.

## Glass installation:

1. Remove socket ring (10) from socket (G).
2. Slip glass (11) over socket.
3. Thread socket ring (10) back onto socket (G) and tighten. Caution: hand tighten only! overtightening using a tool, could cause glass damage.

NOTE: Maximum wattage per bulb is 40 watts.



# ASSEMBLY INSTRUCTIONS FOR 4019 OL

