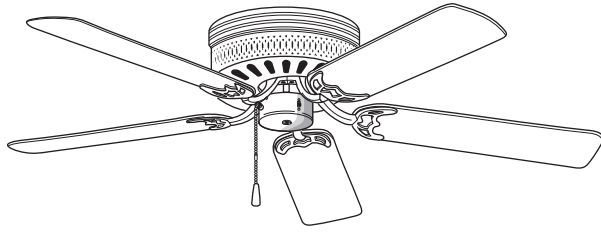


# READ AND SAVE THESE INSTRUCTIONS

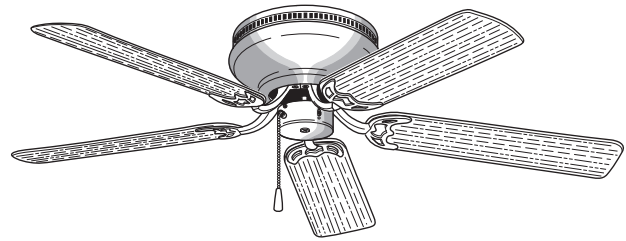


Model No.

CF705SAB03	CF704SAB03
CF705SAW03	CF704SAW03
CF705SORB03	CF704SORB03
CF705SPB03	CF704SPB03
CF705SWW03	CF704SWW03

Net Weight: 13.9 Lbs.

Net Weight: 11.2 Lbs.



Model No.

CF805SBS01	CF804SBS01
CF805SORB01	CF804SORB01
CF805SWW01	CF804SWW01

Net Weight: 13.9 Lbs.

Net Weight: 11.2 Lbs.

**DATE CODE:** \_\_\_\_\_

The date code of this fan may be found on the box, stamped in ink on a white label.

You should record this data above and keep it in a safe place for future use.

 **EMERSON** ***Northwind***

## SNUGGER Ceiling Fan Owner's Manual

 **WARNING**

**WARNING:** To avoid fire, shock, and serious personal injury, follow these instructions.

**Safety Instructions**

1. Read your owner's manual carefully and keep it for future reference.
2. Before servicing or cleaning unit, switch power off at service panel and lock service panel disconnecting means to prevent power from being switched on accidentally. When the service disconnecting means cannot be locked, securely fasten a warning device, such as a tag, to the service panel.
3. Be careful of the fan and blades when cleaning, painting, or working near the fan. Always turn off the power to the ceiling fan before servicing.
4. Do not put anything into the fan blades while they are turning.
5. Do not operate reversing switch until fan blades have come to a complete stop.

**Additional Safety Instructions for Installation**

1. To avoid possible shock, be sure electricity is turned off at the fuse box before wiring, and do not operate fan without blades.
2. All wiring must be in accordance with the National Electrical Codes "ANSI/NFPA 70-1999" and Local Electrical Codes. Use the National Electrical Code if Local Codes do not exist. The ceiling fan must be grounded as a precaution against possible electrical shock. Electrical installation should be made or approved by a licensed electrician.
3. The outlet box and joist must be securely mounted and capable of reliably supporting at least 50 pounds. Use only U.L. outlet boxes marked as "Acceptable for Fan Support", and use the mounting screws provided with the outlet box. Most outlet boxes commonly used for support of light fixtures are not acceptable for fan support and may need to be replaced. Consult a qualified electrician if in doubt.
4. The fan must be mounted with the fan blades at least 7 feet from the floor to prevent accidental contact with the fan blades.
5. Follow the recommended instructions for the proper method of wiring your ceiling fan. If you do not know enough about electrical wiring, have your fan installed by a licensed electrician.

**WARNING:** To avoid fire, shock or injury, do not use an Emerson or any other brand of control not specifically approved for this fan.

**WARNING:** This product is designed to use only those parts supplied with this product and/or any accessories designated specifically for use this product by Emerson Electric Co. Substitution of parts or accessories not designated for use with this product by Emerson Electric Co. could result in personal injury or property damage.

**WARNING:** To Reduce the risk of personal injury, do not bend the blade flange when installing the blade flanges, balancing the blades or cleaning the fan. Do not insert foreign objects in between rotating fan blades.

---

**This Manual Is Designed to Make it as Easy as Possible for You to Assemble, Install, Operate and Maintain Your Ceiling Fan**

**Tools Needed for Assembly**

- One Phillips head screwdriver
- One 1/4" blade screwdriver
- One stepladder
- One wire stripper
- Three wire connectors (supplied)

**Installed Wire Length      Wire Size A.W.G.**

Up to 50 ft.	14
50 - 100 ft.	12

**Materials**

Wiring electrical box and box connectors must be of type required by local code. The minimum wire would be a 3-conductor (2-wire with ground) of size shown at right.


 **WARNING**

**Before assembling your ceiling fan, refer to section on proper method of wiring your fan (page 5). If you feel you do not have enough wiring knowledge or experience, have your fan installed by a licensed electrician.**

# Unpacking Instructions

For your convenience, check-off boxes are provide next to each step. As each step is completed, place a check mark in the box. This will insure that all steps have been completed and will be helpful in finding your place should you be interrupted.

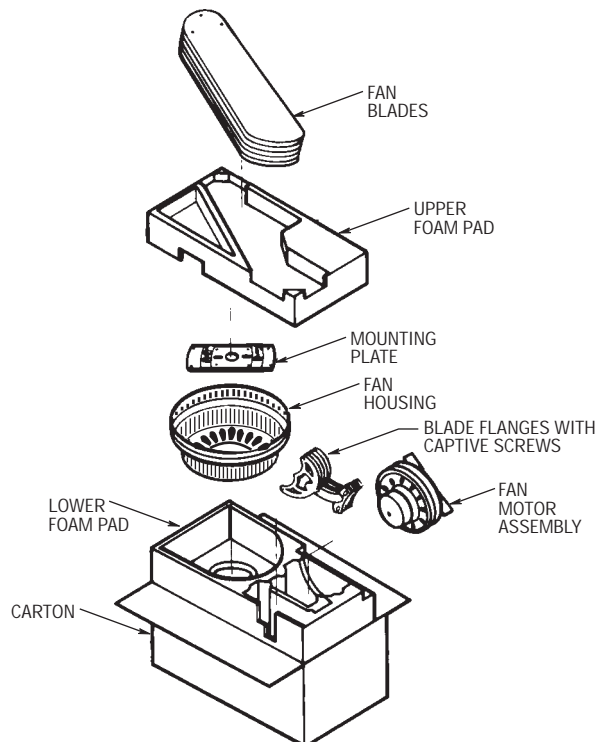
 <b>WARNING</b>
<p>Do not install or use fan if any part is damaged or missing. Call Toll-Free:</p> <p style="text-align: center;"><b>1-800-654-3545</b></p>

 <b>WARNING</b>
<p>This product is designed to use only those parts supplied with this product and/or any accessories designated specifically for use with this product by Emerson Electric Co. Substitution of parts or accessories not designated for use with this product by Emerson Electric Co. could result in personal injury or property damage.</p>

6. One chain coupling
7. Three wire connectors

**NOTE: Place the parts from the loose parts bag in a small container to keep them from being lost. If any parts are missing, contact your local retailer or catalog outlet for replacement before proceeding.**

2. Remove the fan assembly from the protective plastic bag. Place the fan assembly into the upper foam pad with the lead wires up.



1. Check to see that you have received the following parts:


**NOTE: If you are uncertain of part description, refer to exploded view illustration.**

- a. Fan housing
- b. Mounting plate
- c. Fan motor assembly
- d. Five fan blades
- e. Five blade flanges with captive screws
- f. One loose parts bag containing:
  1. Sixteen M5 x 6mm Phillips washer head screws
  2. One M5 x 13mm Phillips pan head screw with lockwasher
  3. Four M5 x 10mm Phillips pan head screws with internal tooth washers
  4. Three 1/4" hex locknuts
  5. One wood pendant


## Electrical Requirements


Your new ceiling fan will require a grounded electrical supply line of 120 volts AC, 60 Hz, 15 amp circuit.

The outlet box must be securely anchored and capable of withstanding a load of at least 50 pounds.

 <b>WARNING</b>
<p>To reduce the risk of fire, electric shock, or personal injury, mount fan to outlet box marked "Acceptable for Fan Support", and use screws supplied with outlet box. Most outlet boxes commonly used for support of light fixtures are not acceptable for fan support and may need to be replaced. Consult a qualified electrician if in doubt.</p>

If your fan is to replace an existing ceiling light fixture, turn electricity off at the main fuse box at this time and remove the existing light fixture.

 <b>WARNING</b>
<p>Turning off wall switch is not sufficient. To avoid possible electrical shock, be sure electricity is turned off at the main fuse box before wiring. All wiring must be in accordance with National and Local Codes and the ceiling fan must be properly grounded as a precaution against possible electrical shock.</p>

 <b>WARNING</b>
<p>To avoid fire or shock, follow all wiring instructions carefully. Any electrical work not described in these instructions should be done or approved by a licensed electrician.</p>

# How to Hang Your Ceiling Fan

**▲ WARNING**

The fan must be hung with at least 7' of clearance from floor to blades (Figure 1).

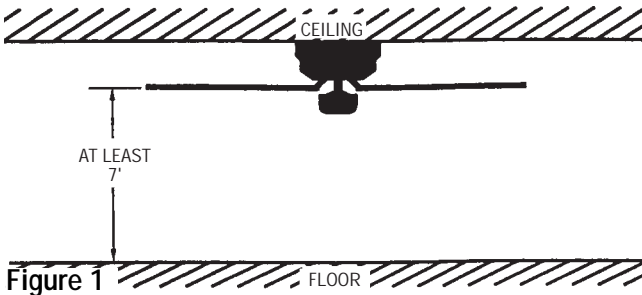


Figure 1

**▲ WARNING**

The outlet box and joist must be securely anchored and capable of supporting at least 50 lbs. Use only a U.L. outlet box marked as "Acceptable for Fan Support".

**▲ WARNING**

To reduce the risk of fire, electric shock, or personal injury, mount fan to outlet box marked "Acceptable for Fan Support", and use screws supplied with outlet box. Most outlet boxes commonly used for support of light fixtures are not acceptable for fan support and may need to be replaced. Consult a qualified electrician if in doubt.

1. Securely attach the mounting plate to the outlet box (Figure 2) using two screws (supplied with outlet box). Pull the black, white and ground wires out of the outlet box through the hole in the mounting plate and lay them to the side as shown in Figure 3.

**NOTE:** For better fan performance make sure the mounting plate is level. Additional washers (not included) may be needed to insert between the electrical box and mounting plate (Figure 2).

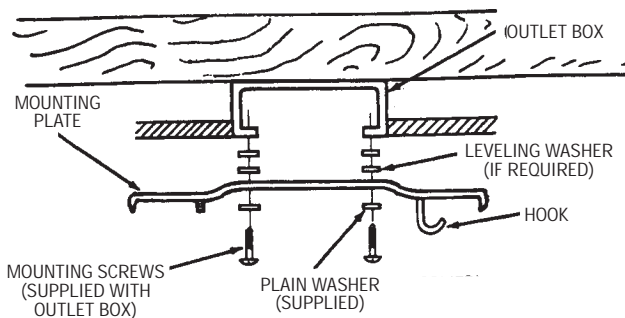


Figure 2

2. Slide the three rubber washers over the three threaded studs on the bottom surface of the mounting plate.

3. Carefully lift the fan motor assembly and engage the slot in the motor bracket with the hook on the mounting plate so that it is securely suspended (Figure 3). Then connect wiring to your fan according to section "HOW TO WIRE YOUR CEILING FAN".

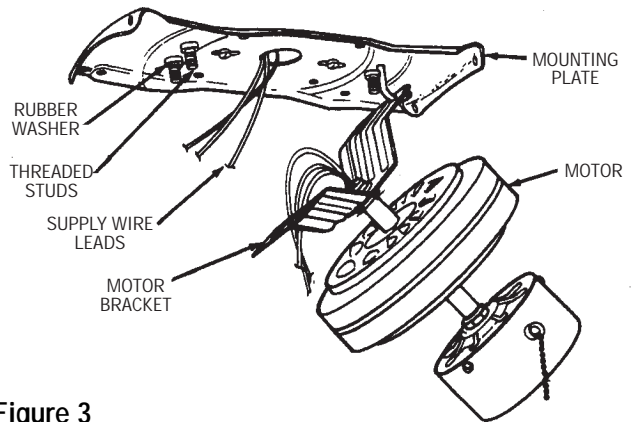


Figure 3

4. Once wiring is completed, lift the motor bracket so that the four threaded studs on the mounting plate protrude through the four slots in the motor bracket. (See Figure 4.)

Securely tighten the three 1/4" locknuts (supplied) onto the threaded studs, then try to shake the motor bracket to ensure that the assembly is tight. Proceed to section "HOW TO PUT YOUR CEILING FAN TOGETHER".

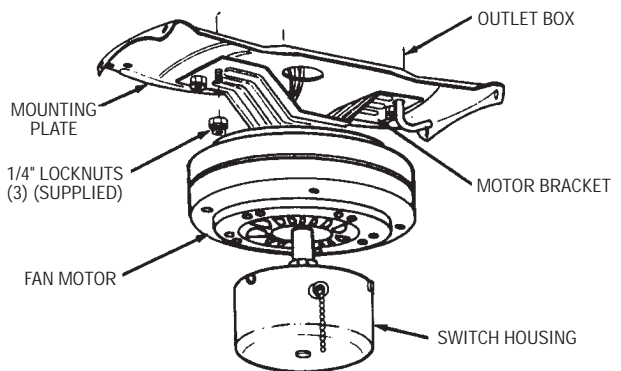


Figure 4

**▲ WARNING**

To avoid possible fire or shock, do not pinch wires between the motor bracket and mounting plate.

# How To Wire Your Ceiling Fan

If you feel that you do not have enough electrical wiring knowledge or experience, have your fan installed by a licensed electrician.

**⚠ WARNING**

To avoid possible electrical shock, be sure electricity is turned off at the main fuse box before wiring.  
**NOTE: If you are not sure if the outlet box is grounded, contact a licensed electrician for advice, as it must be grounded for safe operation.**

- 1. Connect the green grounding wires from the motor bracket and the mounting plate to the grounding conductor of supply (this may be a bare wire or wire with green colored insulation). Securely connect wires with wire connectors (supplied).

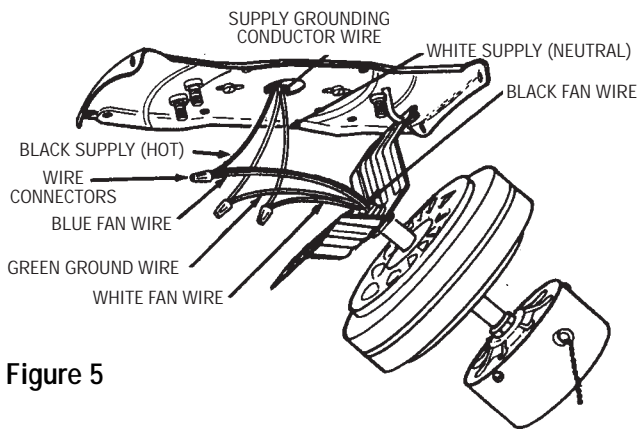


Figure 5

**NOTE: If you are using an Emerson Light Fixture with your fan, see the Light Fixture Owner's Manual for wiring.**

- 2. Connect the fan motor white wire to the supply white (neutral) wire using a supplied wire connector (Figure 5).
- 3. Connect the fan motor black wire and blue wire to the supply black (hot) wire using a supplied wire connector (Figure 5). Your fan is now wired to be turned on and off from the fan switch. After connections have been made, turn leads upward and carefully push leads into the outlet box, with the white and green leads on one side of the outlet box and the black and blue leads on the other side of the outlet box.

**⚠ WARNING**

To avoid risk of fire or shock, check to see that all connections are tight, including ground, and that no bare wire is visible at the wire connectors, except for the ground wire. Do not operate fan until blades are in place. Noise and fan damage could result.

- 4. Cut the 3-speed switch pull chain to a desired length (optional). Connect the wood pendant (supplied) to the 3-speed switch pull chain by sliding the wooden pendant (small hole first) onto the pull chain. Attach the chain coupler to the end of the chain and allow the wooden pendant to fall down over the coupling.
- 5. Return to step 4 of section "HOW TO HANG YOUR CEILING FAN".

# How To Put Your Ceiling Fan Together

- 1. Align the four holes in the fan housing with the four holes in the mounting plate and install four M5 X 10mm Phillips pan head screws with internal tooth washers (supplied) (Figure 6).

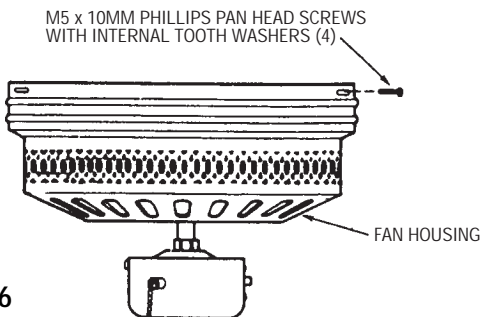
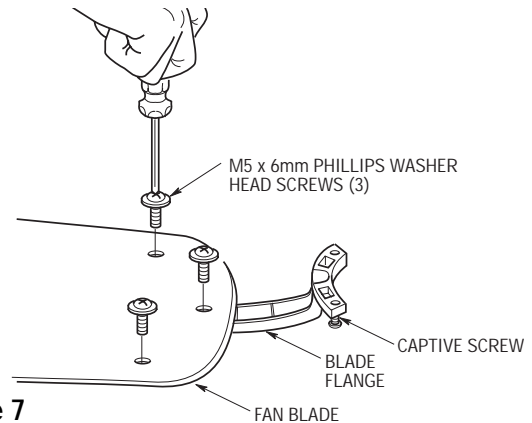


Figure 6

**⚠ WARNING**

To reduce the risk of personal injury, do not bend the blade flange when installing the blade flanges, balancing the blades or cleaning the fan. Do not insert foreign objects in between rotating fan blades.

- 2. Mount the blade flanges to the fan blades using three M5 X 6mm Phillips washer head screws per blade (supplied) (Figure 7). Repeat for four remaining blades.
- 3. Attach one blade assembly to the motor using the captive screws provided on each flange (Figure 8). Make sure the screws are tightened securely. Repeat this procedure for the other four blade assemblies.



5 Figure 7

**NOTE: Take care not to scratch the fan housing when installing the blade assemblies.**

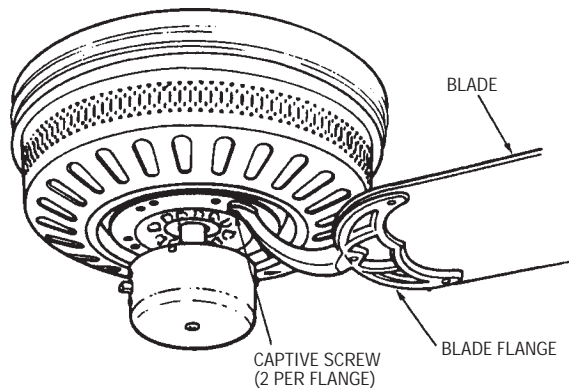


Figure 8

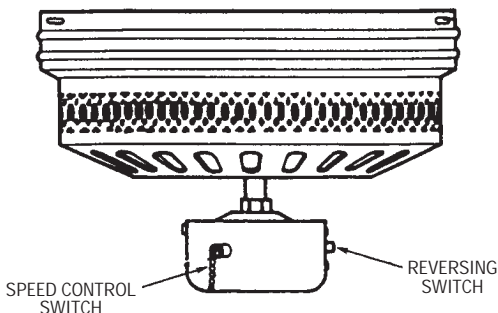
- 4. You have now completed the assembly of your new ceiling fan.

## Using Your Ceiling Fan

### ⚠ WARNING

To reduce the risk of fire or electrical shock, do not use this fan with any solid-state speed control device.

- 1. Restore electrical power to the electrical box by turning the electricity on at the main fuse box or circuit breaker panel.
- 2. Check the operation of the fan by gently pulling on the pull chain switch.
- 3. All fans are shipped from the factory with the reversing switch positioned to circulate air downward. If airflow is desired in opposite direction, turn your fan off and wait for the blades to stop turning, then slide the reversing switch to opposite position, and turn fan on again. The fan blades will turn in the opposite direction and reverse the airflow. Your fan model is equipped with a 4-position, 3-speed pull chain switch. The operating sequence is as follows:



### THREE SPEED:

- 1st Pull – High
- 2nd Pull – Medium
- 3rd Pull – Low
- 4th Pull – OFF

## Maintenance

### IMPORTANT CARE INSTRUCTIONS For Your Ceiling Fan

Periodic cleaning of your new ceiling fan is the only maintenance that is needed.

When cleaning, use only a soft brush or lint free cloth to avoid scratching the finish.

Abrasive cleaning agents are not required and should be avoided to prevent damage to finish.

### ⚠ WARNING

Do not use water when cleaning your ceiling fan. It could damage the motor or the blades and create the possibility of an electrical shock.

## Accessories

- 1. Ceiling Fan Light Kits (see store or catalog).
- 2. Emerson SW-95 Speed Control (see store or catalog).

### ⚠ WARNING

To reduce the risk of fire or electrical shock, do not use this fan with any solid-state speed control device.

### ⚠ WARNING

The use of any other control not specifically approved for this fan could result in fire, shock and personal injury.

### ⚠ WARNING

This product is designed to use only those parts supplied with this product and/or any accessories designated specifically for use with this product by Emerson Electric Co. Substitution of parts or accessories not designated for use with this product by Emerson Electric Co. could result in personal injury or property damage.

**⚠ WARNING: FOR YOUR OWN SAFETY TURN OFF POWER AT FUSE BOX OR CIRCUIT BREAKER BEFORE TROUBLE SHOOTING YOUR FAN.**

## Trouble Shooting

TROUBLE	PROBABLE CAUSE	SUGGESTED REMEDY
<b>1. Fan will not start.</b>	<ol style="list-style-type: none"> <li>1. Reversing switch in neutral position.</li> <li>2. Fuse or circuit breaker blown.</li> <li>3. Loose power line connections to the fan, or loose switch wire connections in switch housing.</li> </ol>	<ol style="list-style-type: none"> <li>1. Make sure reversing switch position is all the way to one side.</li> <li>2. Check main and branch circuit fuses or circuit breakers.</li> <li>3. Check line wire connections to fan and switch wire connections in the switch housing.</li> </ol>
<b>2. Fan sounds noisy.</b>	<ol style="list-style-type: none"> <li>1. Blades not attached to fan.</li> <li>2. Loose screws in motor housing.</li> <li>3. Screws securing fan blade flanges to motor are loose.</li> <li>4. Wire connectors inside switch housing rattling.</li> <li>5. Screws holding flanges to blades are loose.</li> </ol>	<ol style="list-style-type: none"> <li>1. Attach blades to fan before operating.</li> <li>2. Check to make sure all screws in motor housing are snug (not over-tight).</li> <li>3. Check to make sure the screws which attach the fan blade flanges to the motor are tight.</li> <li>4. Check to make sure wire connectors in switch housing are not rattling against each other or against the interior wall of the switch housing.</li> <li>5. Tighten securely.</li> </ol>
<b>3. Fan wobbles or shakes.</b>	<ol style="list-style-type: none"> <li>1. Screws securing fan blade flanges to motor are loose.</li> <li>2. Fan blade flanges not seated properly.</li> <li>3. Mounting plate and/or ceiling outlet box is not securely fastened.</li> <li>4. Fan blades out of balance.</li> </ol>	<ol style="list-style-type: none"> <li>1. Check to be sure screws which attach the fan blade flanges to the motor are tight.</li> <li>2. Check to be sure the fan blade flanges seat firmly and uniformly to the surface of the motor. If flanges are seated incorrectly, loosen the flange screws and retighten according to the procedure in the section on "How to Put Your Ceiling Fan Together".</li> <li>3. Tighten the mounting plate screws to the outlet box, and/or secure outlet box.</li> <li>4. Interchanging an adjacent (side-by-side) blade pair can redistribute the weight and result in smoother operation.</li> </ol>

### LIMITED WARRANTY

**What The Warranty Covers:**

This warranty covers the motor and the other components and accessories of your Emerson ceiling fan against all defects in workmanship and materials. You must be the original purchaser or user of the product to be covered.

**What The Period Of Coverage Is:**

As it applies to the motor, this warranty will last for the lifetime of your ceiling fan. All other components and accessories are covered by this warranty for one year from the date you purchased your ceiling fan. ANY IMPLIED WARRANTY OF MERCHANTABILITY OR FITNESS FOR A PARTICULAR PURPOSE, MADE WITH RESPECT TO COMPONENTS AND ACCESSORIES IS ALSO LIMITED TO ONE YEAR.

**What Will Emerson Electric Co. Do To Correct Problems:**

Emerson Electric Co. will replace a defective Emerson Air Comfort Ceiling Fan motor, blade, component or other accessory at no charge to you. If repair of the motor or blades is not practical or possible within a reasonable time and no replacement can be provided, Emerson Electric Co. will refund the actual purchase price of your fan. **WE WILL SHIP THE REPAIRED PRODUCT OR REPLACEMENT TO YOU AT NO CHARGE, BUT YOU ARE RESPONSIBLE FOR ALL COSTS OR REMOVAL, REINSTALLATION AND SHIPPING OF THE PRODUCT TO EMERSON ELECTRIC CO.**

**How Can You Get Service:**

YOU MUST HAVE PROOF OF YOUR PURCHASE OF THE CEILING FAN TO OBTAIN LIMITED WARRANTY SERVICE. KEEP YOUR RECEIPT OR OTHER PROOF OF PURCHASE. You can return the product to our factory or to your nearest authorized service center.

- To return the product to the factory, obtain a return authorization and service identification tag by writing to Air Comfort Products, Division of Emerson Electric Co., 8100 W. Florissant Ave., St. Louis, MO 63136. Include all model numbers shown on the product with your request.
- To return the product to an authorized service center, call 1-800-654-3545 for the address of the nearest authorized service center.

You will be responsible for all insurance, freight or other transportation charges to our factory or authorized service center. Your Emerson Air Comfort Ceiling Fan should be properly packed to avoid damage in transit since we will not be responsible for any such damage.

**What Is Not Covered:**

The glass globes and light bulbs of your ceiling fan are not covered by this warranty. This warranty also does not cover any defects, malfunctions or failures caused by:

- Repairs by persons not authorized by Emerson Electric Co.,
- Use of parts or accessories not authorized by Emerson Electric Co.,
- Mishandling, improper installation, modifications or damage to your ceiling fan while in your possession, or
- Unreasonable use, misuse, abuse, including failing to do reasonable and necessary maintenance, and normal wear and tear.

Additionally, this warranty and any implied warranty of merchantability or fitness for a particular purpose are voided when:

- The original purchaser or user ceases to own the product, or
- The fan is moved from its original point of installation.

This warranty is only valid within the 50 states of the United States and the District of Columbia. No other written or oral warranties apply, and no employee, agent, dealer or other person is authorized to give any warranties on behalf of Emerson Electric Co.

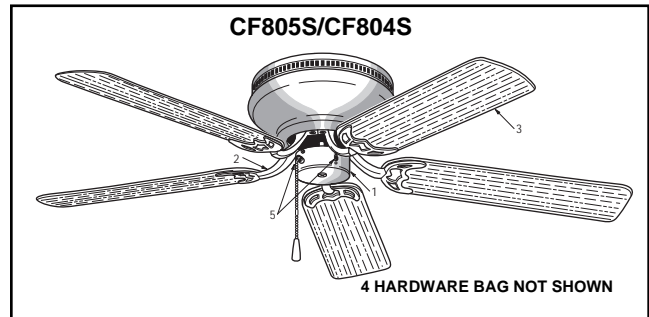
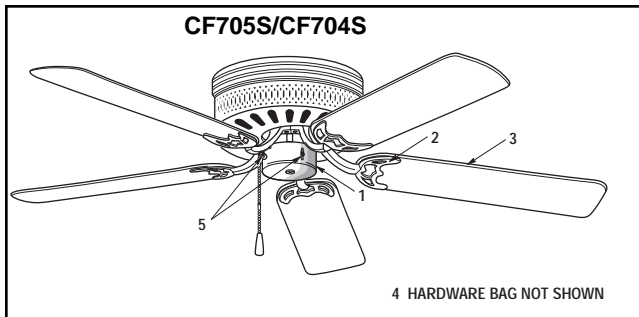
REPAIR, REPLACEMENT OR A REFUND ARE THE EXCLUSIVE REMEDIES AVAILABLE UNDER THIS WARRANTY AND EMERSON IS NOT RESPONSIBLE FOR DAMAGES OF ANY KIND, INCLUDING INCIDENTAL AND CONSEQUENTIAL DAMAGES. Incidental damages include but are not limited to such damages as loss of time and loss of use. Consequential damages include but are not limited to the cost of repairing or replacing other property which was damaged if this product does not work properly.

**How State Law Relates To The Warranty:**

Some states do not allow the exclusion or limitation of incidental or consequential damages so the above exclusion or limitation may not apply to you. This warranty gives you specific legal rights, and you may also have other rights which vary from state to state.

# Repair Parts List

Key No.	Description	Model Numbers									
		Model No. CF705SORB03	Model No. CF705SWW03	Model No. CF705SPB03	Model No. CF705SAB03	Model No. CF705SAW03	Model No. CF704SWW03	Model No. CF704SPB03	Model No. CF704SAB03	Model No. CF704SAW03	Model No. CF704SORB03
1	Switch Housing Assembly	762577-9	762577-2	762577-1	762577	762577-4	762575	762575-1	762575-2	762575-3	762575-4
2	Flange Assembly (set of 5)	762573-6	762573	762573-1	762573-2	762573-4	762571	762571-1	762571-2	762571-3	762571-4
3	Blade Assembly (set of 5)	762566-5	762566	762566-1	762566-1	762566-4	762564	762564-1	762564-1	762564-2	762564-4
4	Loose Parts Bag Containing:	762567-1	762567-2	762567	762567-1	762567	762567-2	76267	762567-1	762567	762567-1
	Blade Hardware	—	—	—	—	—	—	—	—	—	—
	Hanging Hardware	—	—	—	—	—	—	—	—	—	—
	Wood Pendant	—	—	—	—	—	—	—	—	—	—
	Coupling	—	—	—	—	—	—	—	—	—	—
5	Harness, Wiring	762569-2	762569-4	762569	762569-2	762569-1	762568	762568-1	762568-1	762568	762568-2
-	Owner's Manual	BP7080-8	BP7080-8	BP7080-8	BP7080-8	BP7080-8	BP7080-8	BP7080-8	BP7080-8	BP7080-8	BP7080-8



# Repair Parts List

Key No.	Description	Model Numbers					
		CF805SWW01	CF805SBS01	CF805SORB01	CF804SWW01	CF804SORB01	CF804SBS01
1	Switch Housing Assembly	762577-2	762577-3	762577-9	762575	762575-4	762575-5
2	Flange Assembly (set of 5)	762573	762573-3	762573-6	762571	762571-4	762571-5
3	Blade Assembly (set of 5)	762566	762566-2	762566-5	762564	762564-4	762564-5
4	Loose Parts Bag Containing:	762567-2	762567-3	762567-1	762567-2	762567-1	762567-4
	Blade Hardware						
	Hanging Hardware						
	Wood Pendant						
	Coupling						
5	Harness, Wiring	762569-4	762569-3	762569-2	762568	762568-2	762568-3
-	Owner's Manual	BP7080-8	BP7080-8	BP7080-8	BP7080-8	BP7080-8	BP7080-8

**Before discarding packaging material, be certain all parts have been removed.**

### HOW TO ORDER REPAIR PARTS

WHEN ORDERING REPAIR PARTS, ALWAYS GIVE THE FOLLOWING INFORMATION:

- PART NUMBER
- PART DESCRIPTION
- NAME OF ITEM
- MODEL NUMBER

For repair parts, phone  
1-800-654-3545.



**EMERSON™**

**Air Comfort Products**

**DIVISION OF EMERSON ELECTRIC CO.  
8100 W. Florissant • St. Louis, MO 63136**