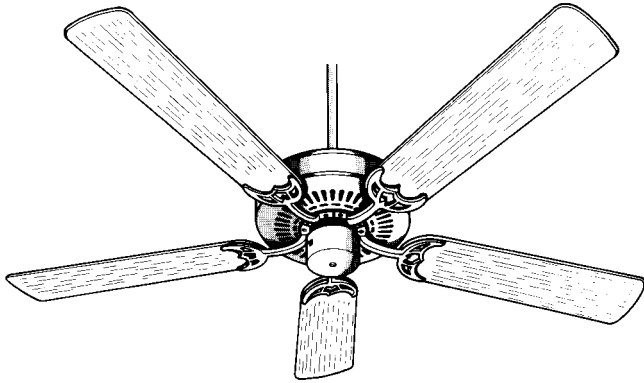


# READ AND SAVE THESE INSTRUCTIONS



## Northwind



42" Model No.

**CF704W02**    **CF704WPB02**  
**CF704PB02**    **CF704WW02**  
**CF704AB02**    **CF704AW02**

Net Weight: 11.1 Lbs.

36" Model No.

**CF703WW02**    **CF702WW03**  
**CF703PB02**    **CF702PB03**

Net Weight: 11.1 Lbs.

29" Model No.

**CF702WW03**  
**CF702PB03**

Net Weight: 10.5 Lbs.

## Ceiling Fan Owner's Manual

### LIMITED WARRANTY

#### What The Warranty Covers:

This warranty covers the motor and the other components and accessories of your Emerson ceiling fan against all defects in workmanship and materials. You must be the original purchaser or user of the product to be covered.

#### What The Period Of Coverage Is:

As it applies to the motor, this warranty will last for twenty years from the date you purchased your ceiling fan. All other components and accessories are covered by this warranty for one year from the date you purchased your ceiling fan. ANY IMPLIED WARRANTY OF MERCHANTABILITY OR FITNESS FOR A PARTICULAR PURPOSE, MADE WITH RESPECT TO COMPONENTS AND ACCESSORIES IS ALSO LIMITED TO ONE YEAR.

#### What Will Emerson Company Do To Correct Problems:

Emerson Company will replace a defective Emerson Air Comfort Ceiling Fan motor, blade, component or other accessory at no charge to you. If repair of the motor or blades are not practical or possible within a reasonable time and no replacement can be provided, Emerson Company will refund the actual purchase price of your fan. We will ship the repaired product or replacement to you at no charge, but you are responsible for all costs or removal, reinstallation and shipping of the product to Emerson.

#### How Can You Get Service:

YOU MUST HAVE PROOF OF YOUR PURCHASE OF THE CEILING FAN TO OBTAIN LIMITED WARRANTY SERVICE. KEEP YOUR RECEIPT OR OTHER PROOF OF PURCHASE. You can return the product to our factory or to your nearest authorized service center.

- To return the product to the factory, obtain a return authorization and service identification tag by writing to Air Comfort Products, Division of Emerson Company, 8100 W. Florissant Ave., St. Louis, MO 63136. Include all model numbers shown on the product with your request.
- To return the product to an authorized service center, call 1-800-654-3545 for the address of the nearest authorized service center.

You will be responsible for all insurance, freight or other transportation charges to our factory or authorized service center. Your Emerson Air Comfort Ceiling Fan should be properly packed to avoid damage in transit since we will not be responsible for any such damage.

#### What Is Not Covered:

The glass globes and light bulbs of your ceiling fan are not covered by this warranty. This warranty also does not cover any defects, malfunctions or failures caused by:

- Repairs by persons not authorized by Emerson Company,
- Use of parts or accessories not authorized by Emerson Company,
- Mishandling, improper installation, modifications or damage to your ceiling fan while in your possession, or
- Unreasonable use, misuse, abuse, including failing to do reasonable and necessary maintenance, and normal wear and tear.

Additionally, this warranty and any implied warranty or merchantability or fitness for a particular purpose are voided when:

- The original purchaser or user ceases to own the product, or
- The fan is moved from its original point of installation.

This warranty is only valid within the 50 states of the United States and the District of Columbia. No other written or oral warranties apply, and no employee, agent, dealer or other person is authorized to give any warranties on behalf of Emerson Company.

REPAIR, REPLACEMENT OR A REFUND ARE THE EXCLUSIVE REMEDIES AVAILABLE UNDER THIS WARRANTY AND EMERSON IS NOT RESPONSIBLE FOR DAMAGES OF ANY KIND, INCLUDING INCIDENTAL AND CONSEQUENTIAL DAMAGES. Incidental damages include but are not limited to such damages as loss of time and loss of use. Consequential damages include but are not limited to the cost of repairing or replacing other property which was damaged if this product does not work properly.

#### How State Law Relates To The Warranty:

Some states do not allow the exclusion or limitation of incidental or consequential damages so the above exclusion or limitation may not apply to you. This warranty gives you specific legal rights, and you may also have other rights which vary from state to state.

 **WARNING**

**WARNING: To avoid fire, shock, and serious personal injury, follow these instructions.**

**Safety Instructions**

1. Read your owner's manual carefully and keep it for future reference.
2. Before servicing or cleaning unit, switch power off at service panel and lock service panel disconnecting means to prevent power from being switched on accidentally. When the service disconnecting means cannot be locked, securely fasten a warning device, such as a tag, to the service panel.
3. Be careful of the fan and blades when cleaning, painting, or working near the fan. Always turn off the power to the ceiling fan before servicing.
4. Do not put anything into the fan blades while they are turning.
5. Do not operate reversing switch until fan blades have come to a complete stop.

**Additional Safety Instructions for Installation**

1. To avoid possible shock, be sure electricity is turned off at the fuse box before wiring, and do not operate fan without blades.
2. All wiring must satisfy National and Local Electrical Codes. Use the National Electrical Code if Local Codes do not exist. The ceiling fan must be grounded as a precaution against possible electrical shock. Electrical installation should be made or approved by a licensed electrician.
3. The outlet box and joist must be securely mounted and capable of reliably supporting at least 50 pounds. Use only U.L. outlet boxes listed as acceptable for fan support, and use the mounting screws provided with the outlet box. Most outlet boxes commonly used for support of light fixtures are not acceptable for fan support and may need to be replaced. Consult a qualified electrician if in doubt.
4. The downrod furnished with the fan provides the minimum recommended floor to fan blade clearance for an 8 foot ceiling.
5. The fan must be mounted with the fan blades at least 7 feet from the floor to prevent accidental contact with the fan blades.
6. Follow the recommended instructions for the proper method of wiring your ceiling fan. If you do not know enough about electrical wiring, have your fan installed by a licensed electrician.

**WARNING: To avoid fire, shock or injury, do not use an Emerson or any other brand of control not specifically approved for this fan.**

**WARNING: This product is designed to use only those parts supplied with this product and/or any accessories designated specifically for use with this product by Emerson. Substitution of parts or accessories not designated for use with this product by Emerson Company could result in personal injury or property damage.**

**WARNING: To Reduce the risk of personal injury, do not bend the blade flange when installing the blade flanges, balancing the blades or cleaning the fan. Do not insert foreign objects in between rotating fan blades.**

**DATE CODE:** \_\_\_\_\_

The date code of this fan may be found on the box, stamped in ink on a white label.

You should record this data above and keep it in a safe place for future use.

# This Manual Is Designed to Make it as Easy as Possible for You to Assemble, Install, Operate and Maintain Your Ceiling Fan

## Tools Needed for Assembly

One Phillips head screwdriver      One stepladder  
 One 1/4" blade screwdriver      One wire stripper  
 Three wire connectors (supplied)

| Installed Wire Length | Wire Size A.W.G. |
|-----------------------|------------------|
| Up to 50 ft.          | 14               |
| 50 - 100 ft.          | 12               |

## MATERIALS

Wiring outlet box and box connectors must be of type required by local code. The minimum would wire be a 3-conductor (2-wire with ground) of the following size:

### ⚠ WARNING

Before assembling your ceiling fan, refer to section on proper method of wiring your fan. If you feel you do not have enough wiring knowledge or experience, have your fan installed by a licensed electrician.

## Unpacking Instructions

For your convenience, check-off boxes are provide next to each step. As each step is completed, place a check mark in the box. This will insure that all steps have been completed and will be helpful in finding your place should you be interrupted.

### ⚠ WARNING

Do not install or use fan if any part is damaged or missing. Call Toll-Free:

**1-800-654-3545**

### ⚠ WARNING

This product is designed to use only those parts supplied with this product and/or any accessories designated specifically for use with this product by Emerson. Substitution of parts or accessories not designated for use with this product by Emerson could result in personal injury or property damage.

5. Three wire connectors
6. Two threaded studs
7. Two lockwashers
8. Two knurled knobs
9. One clevis pin
10. One hairpin clip

**NOTE:** Place the parts from the loose parts bag in a small container to keep them from being lost.

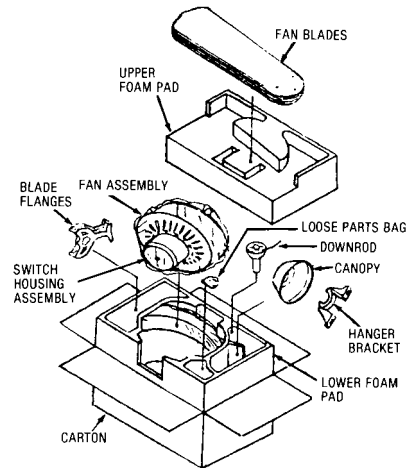
If any parts are missing, contact your local retail or catalog outlet for replacement before proceeding.

2. Remove the fan assembly from the protective plastic bag. Place the fan assembly into the upper foam pad with the bottom of the motor facing up.

The upper foam pad serves as a holder for the fan during the first stages of assembly.

1. Check to see that you have received the following parts:  
**NOTE: If you are uncertain of part description, refer to exploded view illustration.**

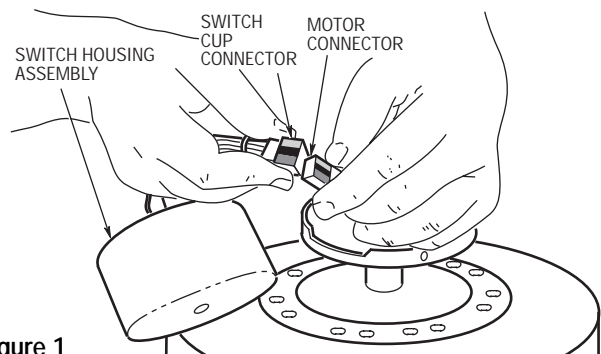
- a. Fan motor assembly
- b. One switch housing assembly
- c. Five fan blades
- d. One ceiling cover
- e. Five blade flanges
- f. One hanger ball/downrod assembly and one 3/16-24 x 1/2" screw with jam nut
- g. One hanger bracket
- h. One loose parts bag containing:
  1. Fifteen 3/16-24 x 5/16" screws
  2. One 3/16-24 x 1/2" setscrew with jam nut
  3. Ten 1/4-20 x 1/2" blade flange screws
  4. One wood ball with chain



## How to Put Your Ceiling Fan Together

**NOTE:** If your switch housing assembly is already attached to the switch housing plate, proceed to Step 3.

1. Engage the connector of the switch housing assembly with the motor connector (Figure 1). The two connectors are keyed and color-coded and must be mated correctly (color-to-color) before they can be engaged. Make sure the connector latch closes properly.



3 Figure 1

- 2. Remove the three switch cup screws from the switch housing plate. Position the switch housing assembly on the switch housing plate and align the holes in the switch housing assembly with the holes in the plate. Secure the switch housing assembly by installing the three screws (Figure 2).

**▲ WARNING**

**To avoid possible fire or shock, do not pinch wires between the switch cup assembly and the switch**

- 3. Pass the 80" motor leads through the opening in the ceiling cover. Be sure the cover is oriented correctly.
- 4. Separate, untwist and unkink the three motor leads. Route the motor leads through the hanger ball/downrod assembly.
- 5. Remove the upper setscrew from the motor coupling. Align the clevis pin holes in the downrod with the holes in the motor coupling. Install the clevis pin and secure with the hairpin clip (Figure 3). The clevis pin must go through the holes in the motor coupling and the holes in the downrod. Be sure to push the straight leg of the hairpin clip through the hole near the end of the clevis pin until the curved portion of the hairpin clip snaps around the clevis pin. The hairpin clip must be properly installed to prevent the clevis pin from working loose. Pull on the hanger ball to make sure the clevis pin is properly installed.

**▲ WARNING**

**It is critical that the clevis pin in the motor coupling is properly installed and the setscrew securely tightened. Failure to verify that the pin and setscrew are properly installed could result in the fan falling.**

- 6. Install the 3/16-24 x 1/2" screw with jam nut (supplied) in the motor coupling (Figure 3). While pulling up on the hanger ball, securely tighten the setscrew. Then securely tighten the nut against the motor coupling.

**NOTE: The setscrew must be properly installed as described above, or fan wobble could result.**

- 7. The fan comes with blue, black and white leads that are 80" long. Before installing fan, measure up approximately 6 to 9-inches above top of hanger ball/downrod assembly. Cut off excess leads and strip back insulation 1/2-inch from end of leads.
- 8. Turn fan assembly upside down in preparation for mounting fan blade assemblies.
- 9. Mount blade flanges to fan blades using three 3/16-24 x 5/16" screws per blade (Figure 4).
- 10. Attach blade assembly to motor hub using two 1/4-20 x 1/2" Phillips oval head flange screws. Make sure the screws are tightened securely (Figure 5). Repeat this procedure for other four blade assemblies.

**NOTE: Take care not to scratch fan housing when installing blades.**

- 11. You have now completed the assembly of your new ceiling fan. You can now proceed with the hanging and the electrical wiring of your fan.

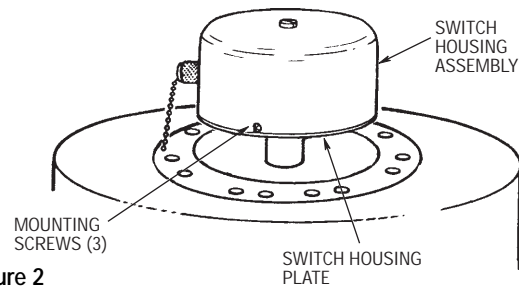


Figure 2

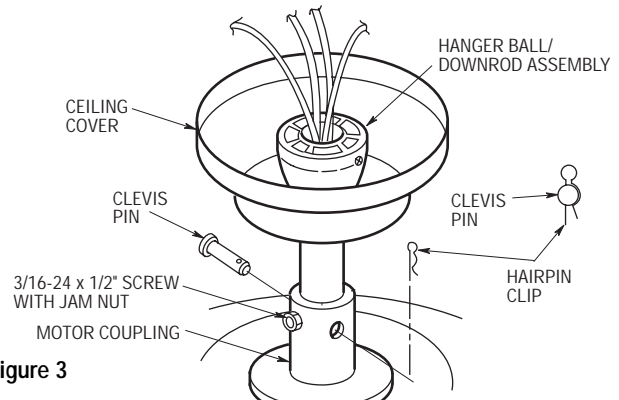


Figure 3

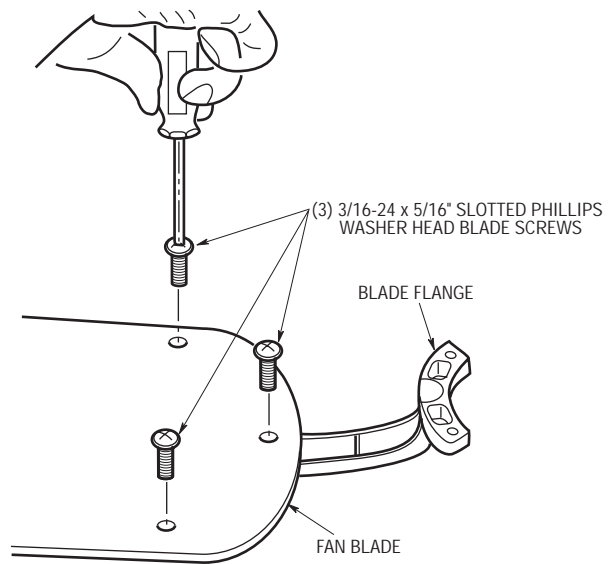


Figure 4

**▲ WARNING**

**To reduce the risk of personal injury, do not bend the blade flanges when installing the flanges, balancing the blades, or cleaning the fan. Do not insert foreign objects in between rotating fan blades.**

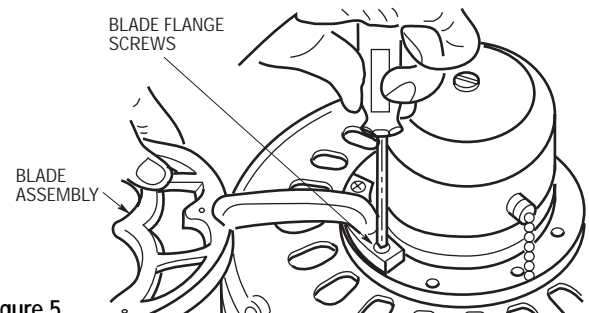


Figure 5

# Electrical Requirements

Your new ceiling fan will require a grounded electrical supply line of 120 volts AC, 60 Hz, 15 amp circuit.

The outlet box must be securely anchored and capable of withstanding a load of at least 50 pounds.

**⚠ WARNING**

To reduce the risk of fire, electric shock, or personal injury, mount fan to outlet box marked acceptable for fan support, and use screws supplied with outlet box. Most outlet boxes commonly used for support of light fixtures are not acceptable for fan support and may need to be replaced. Consult a qualified electrician if in doubt.

If your fan is to replace an existing ceiling light fixture, turn electricity off at the main fuse box at this time and remove the existing light fixture.

**⚠ WARNING**

Turning off wall switch is not sufficient. To avoid possible electrical shock, be sure electricity is turned off at the main fuse box before wiring. All wiring must be in accordance with National and Local codes and the ceiling fan must be properly grounded as a precaution against possible electrical shock.

**⚠ WARNING**

To avoid fire, or shock, follow all wiring instructions carefully. Any electrical work not described in these instructions should be done or approved by a licensed electrician.

## How to Hang Your Ceiling Fan

**⚠ WARNING**

The fan must be hung with at least 7' of clearance from floor to blades (Figure 6).

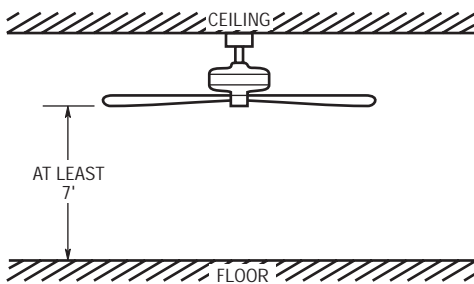


Figure 6

**⚠ WARNING**

The outlet box must be securely anchored and capable of withstanding a load of at least 50 lbs.

**⚠ WARNING**

To reduce the risk of fire, electric shock, or personal injury, mount fan to outlet box marked acceptable for fan support, and use screws supplied with outlet box. Most outlet boxes commonly used for support of light fixtures are not acceptable for fan support and may need to be replaced. Consult a qualified electrician if in doubt.

**⚠ WARNING**

Hanger bracket must seat firmly against outlet box. If the outlet box is recessed, remove wall board until bracket contacts box. If bracket and/or outlet box are not securely attached, the fan could wobble or fall.

2. Carefully lift the fan from the foam pad and seat the hanger ball/downrod assembly on the hanger bracket that was just attached to the outlet box (Figure 8). Be sure the groove in the ball is lined up with tab on the hanger bracket (Figure 7).

**⚠ WARNING**

Failure to seat tab in groove could cause damage to electrical wires and possible shock or fire hazard.

NOTE: CEILING COVER, SUPPLY WIRES AND FAN WIRES OMITTED FOR CLARITY.

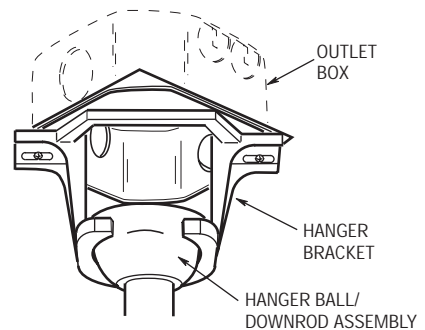


Figure 8

**⚠ WARNING**

To avoid possible fire or shock, do not pinch wires between the hanger ball/downrod assembly and the hanger bracket.

1. Securely attach the hanger bracket to the outlet box using the two screws supplied with the outlet box (Figure 7).

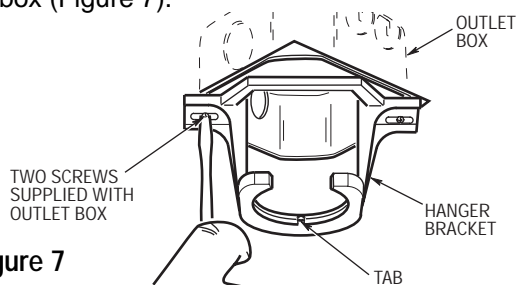


Figure 7

## How To Wire Your Ceiling Fan

If you feel that you do not have enough electrical wiring knowledge or experience, have your fan installed by a licensed electrician.

### ⚠ WARNING

To avoid possible electrical shock, be sure electricity is turned off at the main fuse box before wiring.

**NOTE:** If you are not sure if the outlet box is grounded, contact a licensed electrician for advice, as it must be grounded for safe operation.

1. Connect the green grounding lead from the hanger ball and the green grounding lead from the hanger bracket (if present) to the grounding conductor of supply (this may be a bare wire or wire with green colored insulation).

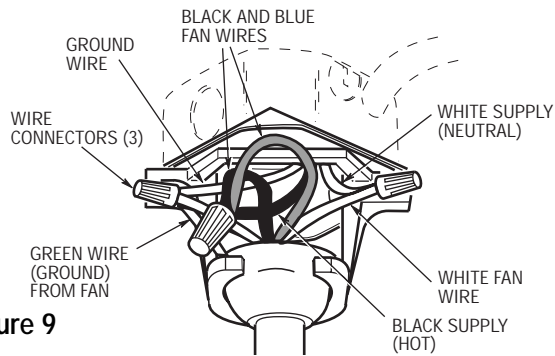


Figure 9

**NOTE:** If you are using an Emerson Light Fixture with your fan, remove the three screws securing the switch cup assembly to the fan, remove the switch cup assembly, and disconnect the connector. Remove the screw plug from the bottom of the switch cup and install the light in accordance with the light kit Owner's Manual.

2. Connect the fan motor white wire to the supply white (neutral) wire using a wire connector (supplied) (Figure 9). Connect the fan motor black wire and blue wire to the supply black (hot) wire using a wire connector (supplied) (Figure 9). Your fan is now wired to be turned on and off from the fan switch. After connections have been made, turn leads upward and carefully push leads into the

outlet box, with the white and green leads on one side of the outlet box and the black and blue leads on the other side of the outlet box.

### ⚠ WARNING

Check to see that all connections are tight, including ground, and that no bare wire is visible at the wire connectors, except for the ground wire. Do not operate fan until blades are in place. Noise and fan damage could result.

3. Screw the two threaded studs (supplied) into the tapped holes in the hanger bracket.
4. Lift the ceiling cover up to the threaded studs and turn until studs protrude through the holes in the ceiling cover (Figure 10).
5. Secure the ceiling cover in place by sliding lockwashers over the threaded studs and installing the two knurled knobs (supplied). (Figure 10). Tighten the knurled knobs securely until the ceiling cover fits snugly against the ceiling and the hole in the ceiling cover is clear of the downrod. Your fan is now wired to be turned on and off from the fan switch.

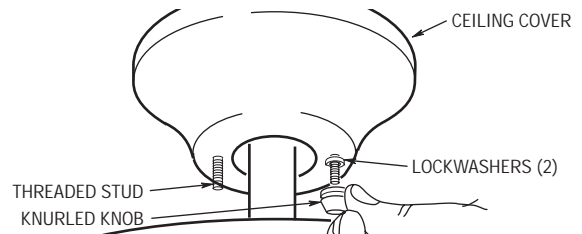


Figure 10

### ⚠ WARNING

To avoid possible fire or shock, make sure that the electrical wires are completely inside the outlet box and not pinched between the ceiling cover and the ceiling.

6. Cut the 3-speed switch pull chain to a desired length (optional). Connect the wood pendant (supplied) to the 3-speed switch pull chain by sliding the wooden pendant (small hole first) onto the pull chain. Attach the chain coupler to the end of the chain and allow the wooden pendant to fall down over the coupling.

## Using Your Ceiling Fan

### ⚠ WARNING

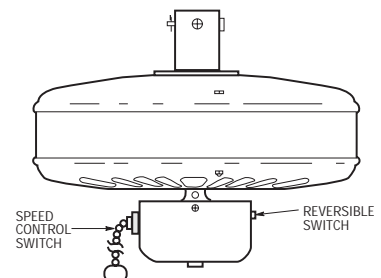
To reduce the risk of fire or electrical shock, do not use this fan with any solid-state speed control device.

1. Restore electrical power to the outlet box by turning the electricity on at the main fuse box.
2. Check the operation of the fan by gently pulling on the pull chain switch.
3. All fans are shipped from the factory with the reversing switch positioned to circulate air downward. If airflow is desired in opposite direction, turn your fan off and wait for the blades to stop turning, then

slide the reversing switch to opposite position, and turn fan on again. The fan blades will turn in the opposite direction and reverse the airflow.

Your fan model is equipped with a 4-position, 3-speed pull chain switch. The operating sequence is as follows:

- THREE-SPEED**  
 1st Pull – High  
 2nd Pull – Medium  
 3rd Pull – Low  
 4th Pull – OFF



**▲ WARNING: FOR YOUR OWN SAFETY TURN OFF POWER AT FUSE BOX OR CIRCUIT BREAKER BEFORE TROUBLE SHOOTING YOUR FAN.**

## Trouble Shooting

| TROUBLE                                      | PROBABLE CAUSE   | SUGGESTED REMEDY   |
|--|--|--|
| <b>1. Fan will not start.</b>                | 1. Reversing switch in neutral position.<br>2. Fuse or circuit breaker blown.<br>3. Loose power line connections to the fan, or loose switch wire connections in switch  | 1. Make sure reversing switch position is all the way to one side.<br>2. Check main and branch circuit fuses or circuit breakers.<br>3. Check line wire connections to fan and switch wire connections in the switch housing.  |
| <b>2. Fan sounds noisy.</b>                  | 1. Blades not attached to fan.<br>2. Loose screws in motor housing.<br>3. Screws securing fan blade flanges to motor are loose.<br>4. Switch housing binding against blade hub.<br>5. Wire connectors inside switch housing rattling. housing are not rattling against each other or<br>6. Screws holding flanges to blades are loose. | 1. Attach blades to fan before operating.<br>2. Check to make sure all screws in motor housing are snug (not over-tight).<br>3. Check to make sure the screws which attach the fan blade flanges to the motor hub are tight.<br>4. Check to make sure that the switch housing does not bind against the blade hub.<br>5. Check to make sure wire connectors in switch against the interior wall of the switch housing.<br>6. Tighten screws securely.  |
| <b>3. Fan wobbles or shakes excessively.</b> | 1. Setscrew in motor coupling is loose.<br>2. Setscrew in hanger ball/downrod assembly is loose.<br>3. Screws securing fan blade flanges to motor are loose.<br>4. Fan blade flanges not seated properly.<br><br>5. Hanger bracket and/or ceiling outlet box is not securely fastened.<br>6. Fan blades out of balance.                | 1. Tighten the setscrew and then tighten the jam nut.<br>2. Tighten the setscrew in the hanger ball/downrod assembly.<br>3. Check to be sure screws which attach the fan blade flanges to the motor hub are tight.<br>4. Check to be sure the fan blade flanges seat firmly and uniformly to the surface of the motor hub. If flanges are seated incorrectly, loosen the flange screws and retighten according to the procedure in the section on "How to Put Your Ceiling Fan Together".<br>5. Tighten the hanger bracket screws to the outlet box, and/or secure outlet box.<br>6. Interchanging an adjacent (side-by-side) blade pair can redistribute the weight and result in smoother operation. |

## Maintenance

### IMPORTANT CARE INSTRUCTIONS For Your Ceiling Fan

Periodic cleaning of your new ceiling fan is the only maintenance that is needed.

When cleaning, use only a soft brush or lint free cloth to avoid scratching the finish.

Abrasive cleaning agents are not required and should be avoided to prevent damage to finish.

1. Ceiling Fan Light Kits (see store or catalog).
2. Ceiling Fan/Light Controls (see store or catalog).

**▲ WARNING**

**Do not use water when cleaning your ceiling fan. It could damage the motor or the blades and create the possibility of an electrical shock.**

## Accessories

1. Ceiling Fan Light Kits (see store or catalog).
2. Ceiling Fan/Light Controls (see store or catalog).
3. Downrod Extension Kits (see store or catalog).

**▲ WARNING**

**To reduce the risk of fire or electrical shock, do not use this fan with any solid-state speed control device.**

**▲ WARNING**

**The use of any other control not specifically approved for this fan could result in fire, shock and personal injury.**

**▲ WARNING**

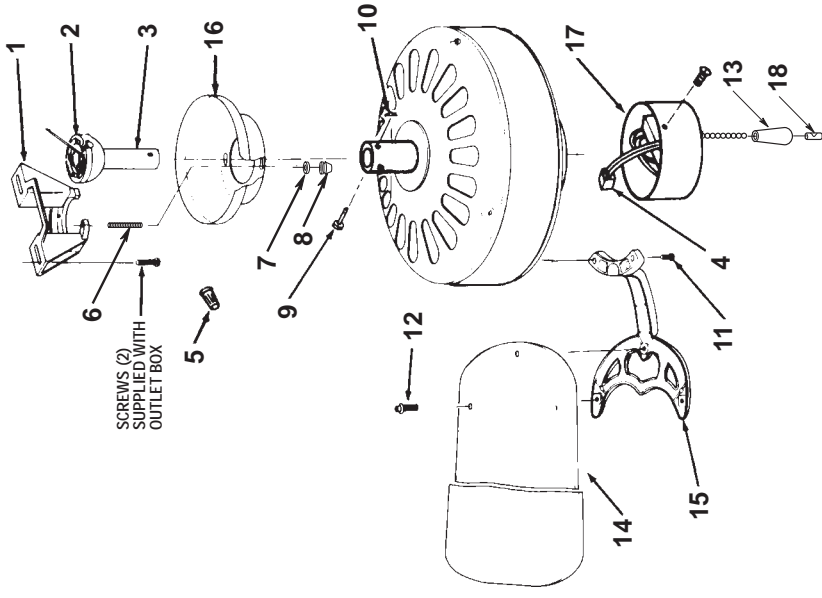
**This product is designed to use only those parts supplied with this product and/or any accessories designated specifically for use with this product by Emerson. Substitution of parts or accessories not designated for use with this product by Emerson could result in personal injury or property damage.**

## Repair Parts Listing (CF703 and CF702 Series)

| Key No. | Description                          | Part Number |           |            |           | Model No. |
|---------|--------------------------------------|-------------|-----------|------------|-----------|-----------|
|         |                                      | CF703WW02   | CF703PB02 | CF702VWV03 | CF702PB03 |           |
| •       | Hanger Ball Assembly, Consisting of: | 760750-3    | 760750-1  | 760750-3   | 760750-1  |           |
| 1       | Hanger Bracket                       | -           | -         | -          | -         | -         |
| 2       | Hanger Ball                          | -           | -         | -          | -         | -         |
| 3       | Downrod                              | -           | -         | -          | -         | -         |
| •       | Parts Bag Containing:                | 761538-2    | 761538    | 761538-2   | 761538    |           |
| 5       | Wire Connector (3)                   | -           | -         | -          | -         | -         |
| 6       | Threaded Stud (2)                    | -           | -         | -          | -         | -         |
| 7       | Lockwasher (2)                       | -           | -         | -          | -         | -         |
| 8       | Knurled Knob (2)                     | -           | -         | -          | -         | -         |
| 9       | Pin, Clevis                          | -           | -         | -          | -         | -         |
| 10      | Clip, Hairpin                        | -           | -         | -          | -         | -         |
| 11      | Screw, 1/4-20 x 1/2" (10)            | -           | -         | -          | -         | -         |
| 12      | Screw, 3/16"-24 x 5/16" (15)         | -           | -         | -          | -         | -         |
| 13      | Wood Pendant                         | -           | -         | -          | -         | -         |
| 18      | Coupling, Chain                      | -           | -         | -          | -         | -         |
| 4       | Harness, Wiring                      | 761531      | 761531    | 761529     | 761529    |           |
| 14      | Blade (set of 5)                     | 7761537     | 761537-1  | 761559     | 761559-1  |           |
| 15      | Flange (set of 5)                    | 761535      | 761535-1  | 761557     | 761557-1  |           |
| 16      | Canopy, Ceiling                      | 760169      | 760169-1  | 760169     | 760169-1  |           |
| 17      | Switch Housing                       | 760384      | 760384-1  | 760384     | 760384-1  |           |
| -       | Owner's Manual                       | BP7083-7    | BP7083-7  | BP7083-7   | BP7083-7  |           |

## Repair Parts Listing (CF704 Series)

| Key No. | Description                          | Part Number |           |           |           |            |           | Model No. |
|---------|--------------------------------------|-------------|-----------|-----------|-----------|------------|-----------|-----------|
|         |                                      | CF704W02    | CF704WW02 | CF704PB02 | CF704AB02 | CF704WPB02 | CF704AW02 |           |
| •       | Hanger Ball Assembly, Consisting of: | 760750-2    | 760750-3  | 760750-1  | 760750    | 760750-3   | 760750-41 |           |
| 1       | Hanger Bracket                       | -           | -         | -         | -         | -          | -         | -         |
| 2       | Hanger Ball                          | -           | -         | -         | -         | -          | -         | -         |
| 3       | Downrod                              | -           | -         | -         | -         | -          | -         | -         |
| •       | Parts Bag Containing:                | 761538      | 761538-2  | 761538    | 761538-1  | 761538     | 761538    |           |
| 5       | Wire Connector (3)                   | -           | -         | -         | -         | -          | -         | -         |
| 6       | Threaded Stud (2)                    | -           | -         | -         | -         | -          | -         | -         |
| 7       | Lockwasher (2)                       | -           | -         | -         | -         | -          | -         | -         |
| 8       | Knurled Knob (2)                     | -           | -         | -         | -         | -          | -         | -         |
| 9       | Pin, Clevis                          | -           | -         | -         | -         | -          | -         | -         |
| 10      | Clip, Hairpin                        | -           | -         | -         | -         | -          | -         | -         |
| 11      | Screw, 1/4-20 x 1/2" (10)            | -           | -         | -         | -         | -          | -         | -         |
| 12      | Screw, 3/16"-24 x 5/16" (15)         | -           | -         | -         | -         | -          | -         | -         |
| 13      | Wood Pendant                         | -           | -         | -         | -         | -          | -         | -         |
| 18      | Coupling, Chain                      | -           | -         | -         | -         | -          | -         | -         |
| 4       | Harness, Wiring                      | 761529      | 761529    | 761529    | 761529    | 761529     | 761529    |           |
| 14      | Blade (set of 5)                     | 761542-2    | 761542    | 761542-1  | 761542-1  | 761542     | 761542-3  |           |
| 15      | Flange (set of 5)                    | 761535-3    | 761535-1  | 761535-2  | 761535-1  | 761535-1   | 761535-4  |           |
| 16      | Canopy, Ceiling                      | 760169-3    | 760169    | 760169-1  | 760169-2  | 760169     | 760169-32 |           |
| 17      | Switch Housing                       | 760384-3    | 760384    | 760384-1  | 760384-2  | 760384     | 760384-4  |           |
| -       | Owner's Manual                       | BP7083-7    | BP7083-7  | BP7083-7  | BP7083-7  | BP7083-7   | BP7083-7  |           |



Before discarding packaging material, be certain all parts have been removed.

### HOW TO ORDER REPAIR PARTS

WHEN ORDERING REPAIR PARTS, ALWAYS GIVE THE FOLLOWING INFORMATION:

- PART NUMBER
- NAME OF ITEM
- PART DESCRIPTION
- MODEL NUMBER

For repair parts, phone 1-800-654-3545.



DIVISION OF EMERSON COMPANY  
8100 W. Florissant, St. Louis, MO 63136

Part No. F40BP70830007  
Form No. BP7083-7

Printed in Taiwan  
10/00