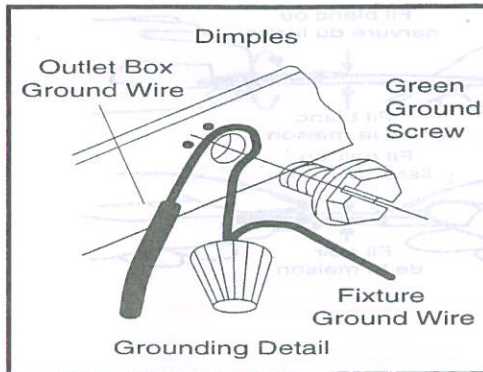
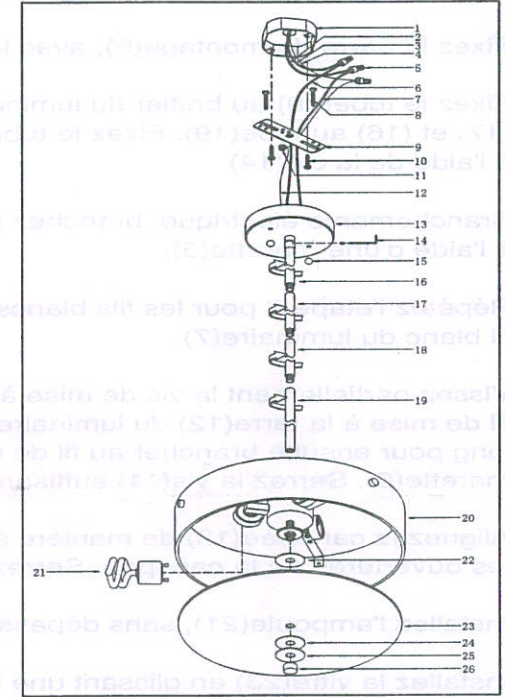


AC7100/AC7101/ AC7102 INSTALLATION INSTRUCTION

WARNING: BEFORE YOU START, NEVER ATTEMPT ANY WORK WITHOUT SHUTTING OFF THE ELECTRICITY UNTIL THE WORK IS DONE.

NOTE: THIS FIXTURE IS PARTIALLY ASSEMBLED IN THE FACTORY BY QUALIFIED CRAFTSMEN. SOME ASSEMBLY IS REQUIRED BEFORE USE. PLEASE FOLLOW ASSEMBLY INSTRUCTION CAREFULLY.

1. Fix mounting screw(8) into mounting bar(9).
2. Fix mounting bar(9), with machine screw(10), to outlet box(1).
3. Fix tube(19) onto the top of the the lamp body(20), then connect tube (18) to tube (19) , tube (17) to tube(18), tube (16) to tube(17), then fix tube(16) to the movable head on the beneath of the canopy(13), secure with spanner(14).
4. Wire connection: connect black outlet box wire(3) to black fixture wire(6) with wire connector(5).
5. Repeat step 4 for white wire connection: i.e. white outlet box wire(2) to white fixture wire(7).
6. Partially thread ground screw(11) into mounting bar(9), wrap ground wire(12) from fixture around ground screw(11) leaving enough excess wire to then connect ground wire(4) from outlet box with wire connector(5), tighten ground screw(11), do not over tighten.
7. Orient canopy(13) so that mounting screw(8) protrudes into the slot in the canopy. Tighten the mounting screw with cap nut(15).
8. Install lamp(21), do not exceed recommended wattage.
9. Install glass(23) with the thread in the central of the lamp body protruding plastic gasket(22), then the glass, another plastic gasket(24), metal washer(25) and finally secure with cap nut(26).



Connect Black or Red House Wire to	Connect White House Wire to:
Black	White
Parallel cord - SPT I & II (round & .smooth)	Parallel cord - SPT I & II (square & ridged)
Clear, Brown, Gold or Black (without tracer)	Clear, Brown, Gold or Black (with tracer)
Insulated Wire (Other than GREEN) with copper conductor	Insulated Wire (Other than GREEN) with silver conductor

