

DESCRIPTION

This wall mount sconce features an aluminum die-cast Aria cup and backplate with hand-blown closed glass diffuser for 1-18 watt compact fluorescent quad lamp.

CONSTRUCTION

Aria cup and backplate are 1/8" thick cast aluminum.

FINISH

All cast parts have an oil-rubbed bronze paint or a satin nickel finish.

DIFFUSER

Open top Diffuser is 1/8" thick 2-ply matte white cased glass. Held in place with two set screws.

ELECTRICAL

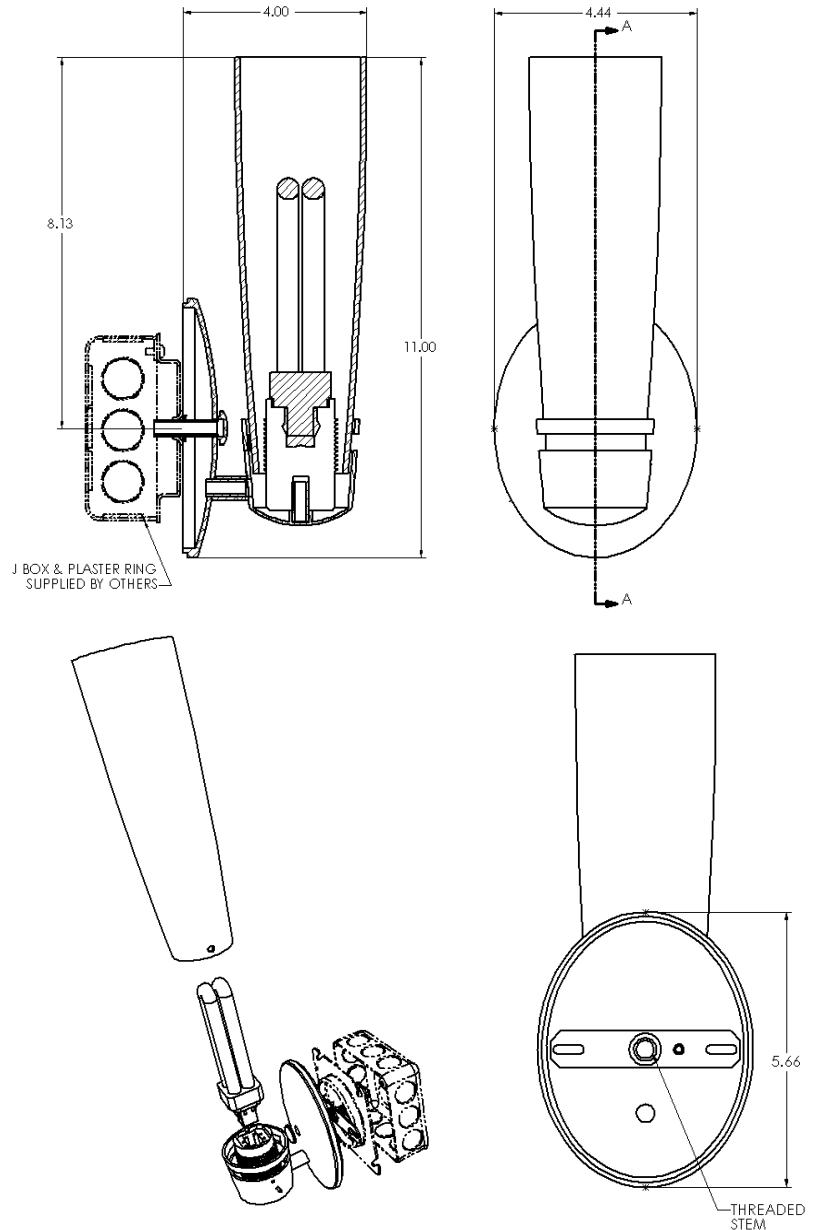
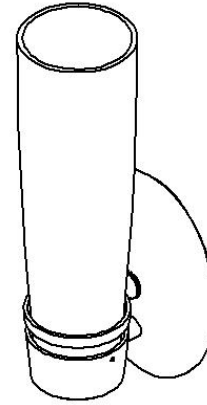
This unit is wired with an electronic ballasted socket for one 18 watt compact fluorescent quad lamp.

Fixture complies with U.L. 1598
 U.L. listed for damp locations.
 Lampholders comply with U.L. 542 and have a 4-pin G24-2 base.

Socket ballast is:
 Normal power factor.
 120volt, ±10%, 60hertz A.C.
 Current Crest factor 1.5

Power supply connections must be made inside a junction box (not provided).

Wall plate will not cover 4x4 J box. Plaster ring needs to be used.



ORDERING INFORMATION

Model No.	Oil rubbed bronze	Satin nickel	Fluorescent Lamps	H	W	D
ARS118RBEC		ARS118SNEC	(1) 18 watt quad tube	11"	4-7/16"	4

Warranty - "Ballasts are covered by separate manufacturers warranties. Any labor allowance regarding ballasts must be approved by the factory."